

26



BAD BOY
MOWERS

PARTS MANUAL



ROGUE

ZERO-TURN MOWER OWNER'S PARTS MANUAL

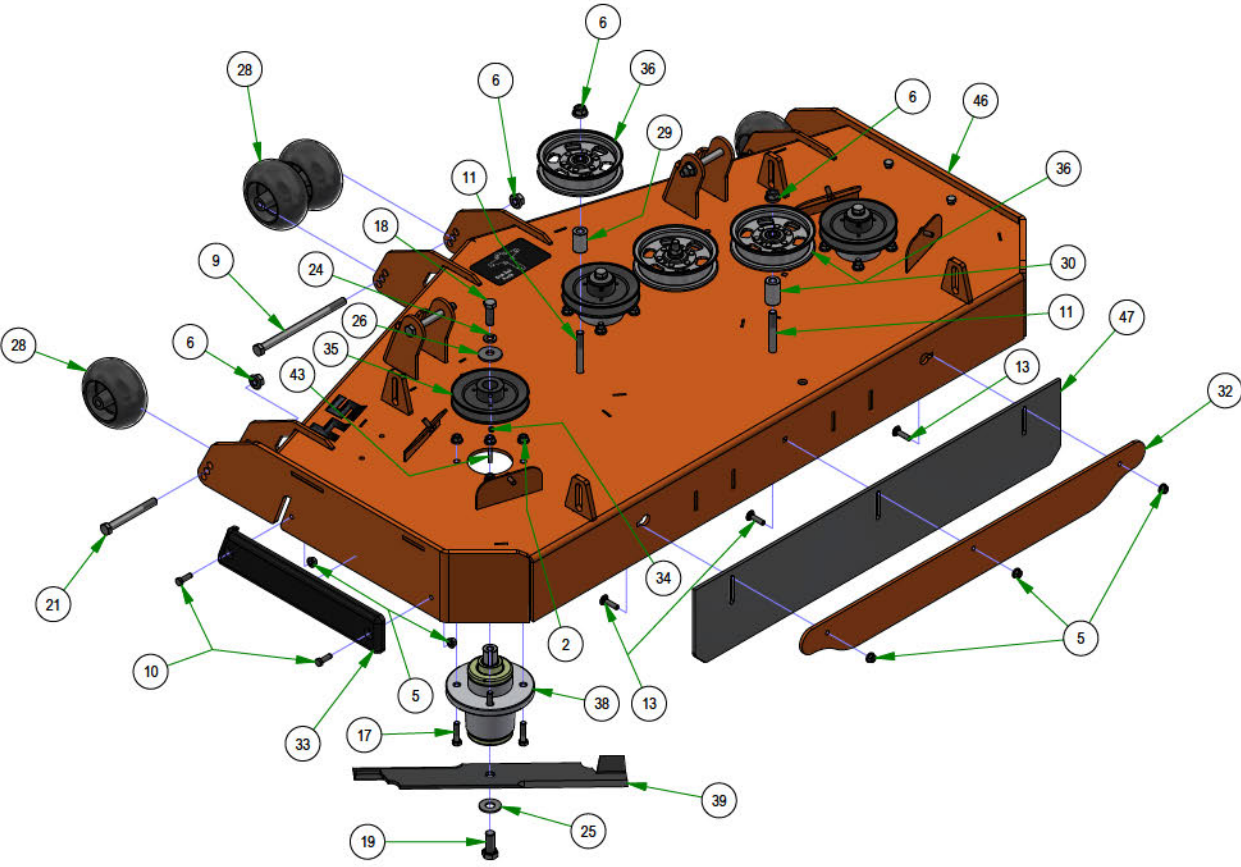
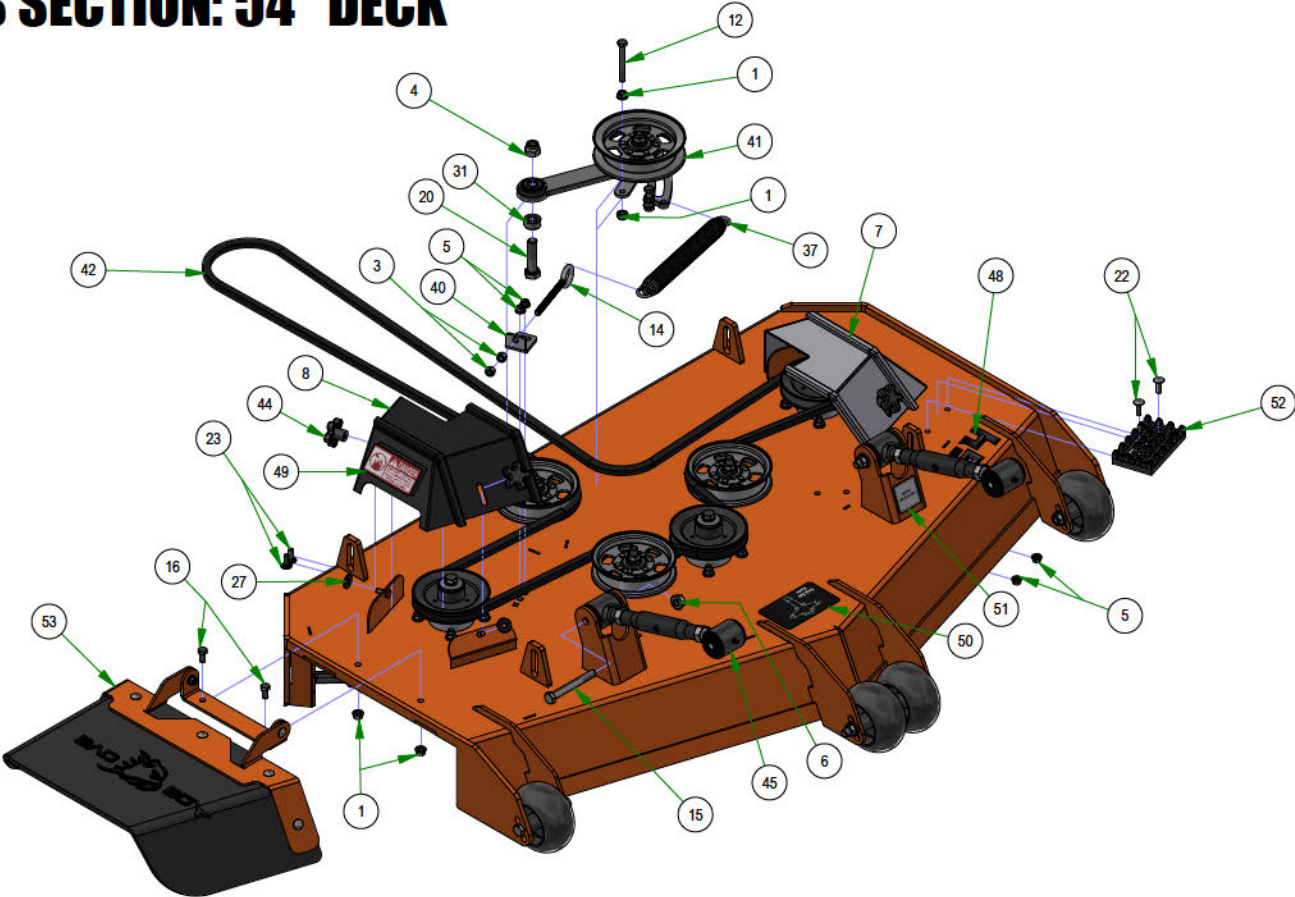
For additional information, please see us at

www.badboycountry.com

TABLE OF CONTENTS

| | |
|------------------------------------------------|-----------|
| 54" DECK | 3 |
| 61" DECK | 5 |
| 72" DECK | 7 |
| 61" REAR DISCHARGE DECK | 9 |
| 72" REAR DISCHARGE DECK | 11 |
| DECK SUBASSEMBLIES | 13 |
| FRONT END | 14 |
| FRONT END SUBASSEMBLIES | 15 |
| DECK HEIGHT CONTROLS | 16 |
| DECK HEIGHT CAM & LOCK | 17 |
| DECK HEIGHT CONTROLS SUBASSEMBLIES | 18 |
| DRIVE ARMS | 19 |
| DRIVE ARMS SUBASSEMBLIES | 20 |
| TANKS AND BATTERY | 22 |
| BRAKE MOUNTING | 24 |
| TANKS AND FUEL LINES SUBASSEMBLIES | 25 |
| CONTROL PANEL AND HARNESS SUBASSEMBLIES | 26 |
| REAR SUSPENSION | 27 |
| REAR SWING ARMS | 29 |
| REAR SUSPENSION SUBASSEMBLIES | 30 |
| COVERS AND SEATS | 31 |
| ENGINE-KAWASAKI FX1000 | 33 |
| ENGINE-KAWASAKI FX1000 EFI | 34 |
| ENGINE-KOHLER ECV980 | 35 |
| ENGINE-VANGUARD EFI | 36 |
| DECALS | 37 |

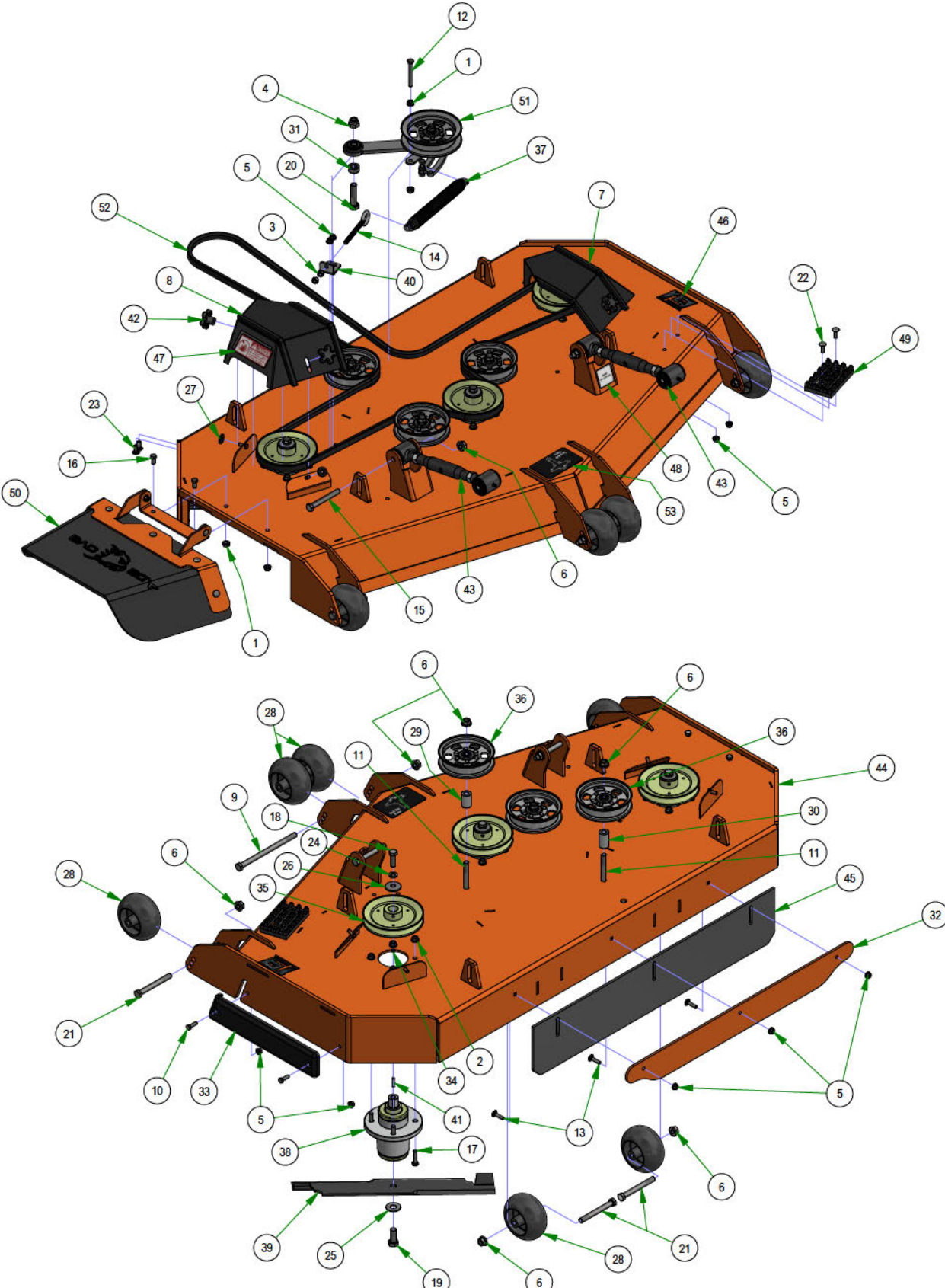
PARTS SECTION: 54" DECK



PARTS SECTION: 54" DECK

| Parts List | | | | Parts List | | | |
|------------|-----|-------------|--------------------------------------------------------|------------|-----|-------------|---------------------------------------------------|
| ITEM | QTY | PART NUMBER | DESCRIPTION | ITEM | QTY | PART NUMBER | DESCRIPTION |
| 1 | 4 | 013-5201-00 | 3/8-16 HEX SERRATED FLANGE NUT HARD/ZINC | 28 | 6 | 022-1001-00 | 2019 Deck Wheel |
| 2 | 12 | 013-5202-00 | 3/8-16 NYLON INSERT FLANGE LOCKNUT (GR.F) ZINC | 29 | 2 | 025-5338-00 | .502 ID X .750 OD X 1.500 Long Spacer |
| 3 | 2 | 013-6014-00 | 3/8-16 HEX NUT ZINC | 30 | 1 | 025-5339-00 | 1 3/4" Pulley Spacer |
| 4 | 1 | 013-7021-00 | 5/8-11 NYLON INSERT LOCKNUT ZINC | 31 | 1 | 025-7020-00 | 5/8 SOLID SHAFT COLLAR (W/1 SET SCREW) ZINC |
| 5 | 9 | 013-8049-00 | 5/16-18 NYLON INSERT FLANGE LOCKNUT ZINC | 32 | 1 | 026-0234-00 | 61 Bolt in Baffle Deck v2 Stripping Plate |
| 6 | 10 | 013-8050-00 | 1/2-13 NYLON INSERT FLANGE LOCKNUT ZINC | 33 | 1 | 029-7036-00 | REVISED TRIM BUMPER_20180226 |
| 7 | 1 | 014-5050-00 | 2019 54" Left Outlaw Gen2 Pulley Cover | 34 | 3 | 030-0050-00 | 5/16-24 X 1/4 SOCKET SET SCREW (CUP PT) PLAIN |
| 8 | 1 | 014-5051-00 | 2019 54" Right Outlaw Gen2 Pulley Cover | 35 | 3 | 033-6006-00 | 5.25" Deck Spindle Pulley |
| 9 | 1 | 018-0046-00 | 1/2-13 X 8 HEX CAP SCREW GR 5 ZINC | 36 | 3 | 033-7201-25 | 5-3/4 Idler Pulley |
| 10 | 2 | 018-2007-00 | 5/16-18 X 1 HEX CAP SCREW (GR.5) ZINC | 37 | 1 | 034-2030-00 | 2019 Outlaw Gen2 Deck Spring |
| 11 | 3 | 018-2018-00 | 1/2-13 X 3-1/2 HEX FLANGE BOLT (GR.8) ZINC | 38 | 3 | 037-4000-00 | OUTLAW SPINDLE ASSEMBLY |
| 12 | 1 | 018-4700-00 | 3/8-16 X 3 HEX CAP SCREW (GR.5) ZINC | 39 | 3 | 038-0001-00 | 54" Fusion Blade for Avenger/ZT/Mav/Outlaw/Revolt |
| 13 | 3 | 018-4703-00 | 5/16-18 X 1-1/4 CARRIAGE BOLT ZINC | 40 | 1 | 039-0144-00 | 2019 Deck Eye Bolt Tab |
| 14 | 1 | 018-4707-00 | 4" 3/8-16 Eye Bolt | 41 | 1 | 039-6946-18 | 2019 Rebel Rogue Deck Idler |
| 15 | 2 | 018-5019-00 | 1/2-13 X 4 HEX CAP SCREW (GR.8) ZINC YELLOW | 42 | 1 | 041-1650-00 | B165 Belt-60 54" deck Outlaw |
| 16 | 2 | 018-5250-00 | 3/8-16 X 3/4 HEX CAP SCREW (GR.5) ZINC | 43 | 3 | 042-6030-00 | 1/4 X 1 SQ MACHINERY KEY 1018 STL PLN |
| 17 | 12 | 018-6012-00 | 3/8-16 X 1-1/2 HEX CAP SCREW (GR.5) ZINC | 44 | 4 | 045-6043-00 | 5/16" Knob |
| 18 | 3 | 018-6019-00 | 1/2-20 X 1-1/2 HEX CAP SCREW (GR.5) ZINC | 45 | 2 | 048-9000-00 | Tumbuckle |
| 19 | 3 | 018-6020-00 | 5/8-18 X 1-1/2 HEX CAP SCREW (GR.8) ZINC YELLOW | 46 | 1 | 060-5551-19 | 2019 Sloped 54" Deck |
| 20 | 1 | 018-6059-00 | 5/8-11 X 2-1/2 HEX CAP SCREW (GR.5) ZINC | 47 | 1 | 084-5004-00 | R Series Rubber For Deck |
| 21 | 4 | 018-7050-00 | 1/2-13 X 4-1/2 HEX CAP SCREW (GR.5) ZINC | 48 | 1 | 091-0504-00 | 54" Deck Decal |
| 22 | 2 | 018-8065-00 | 5/16-18 X 1 CARRIAGE BOLT (GR.8) ZINC | 49 | 2 | 091-3012-00 | Danger Decal-Spindle/Discharge |
| 23 | 2 | 018-8066-00 | 5/16-18 X 7/8 CARRIAGE BOLT ZINC | 50 | 1 | 091-4036-00 | 2019 Rebel & Rogue Deck Belt Route Decal |
| 24 | 3 | 019-5007-00 | 1/2 SPLIT LOCKWASHER (GR.8) ZINCYELLOW | 51 | 1 | 091-8001-00 | Deck Impact Patent Decal 9591803 |
| 25 | 3 | 019-5038-00 | 5/8 USS FLAT WASHER (1-3/4" OD) GR.8 ZINC YELLOW | 52 | 1 | 099-7000-00 | Deck Step Assembly |
| 26 | 3 | 019-6020-00 | 1/2 Belleville Washer | 53 | 1 | 210-7000-98 | 2019 Outlaw Gen2 Chute Assembly |
| 27 | 4 | 019-6050-00 | .360 ID X .983 OD X .120 THICK FLAT WASHER NYLON BLACK | | | | |

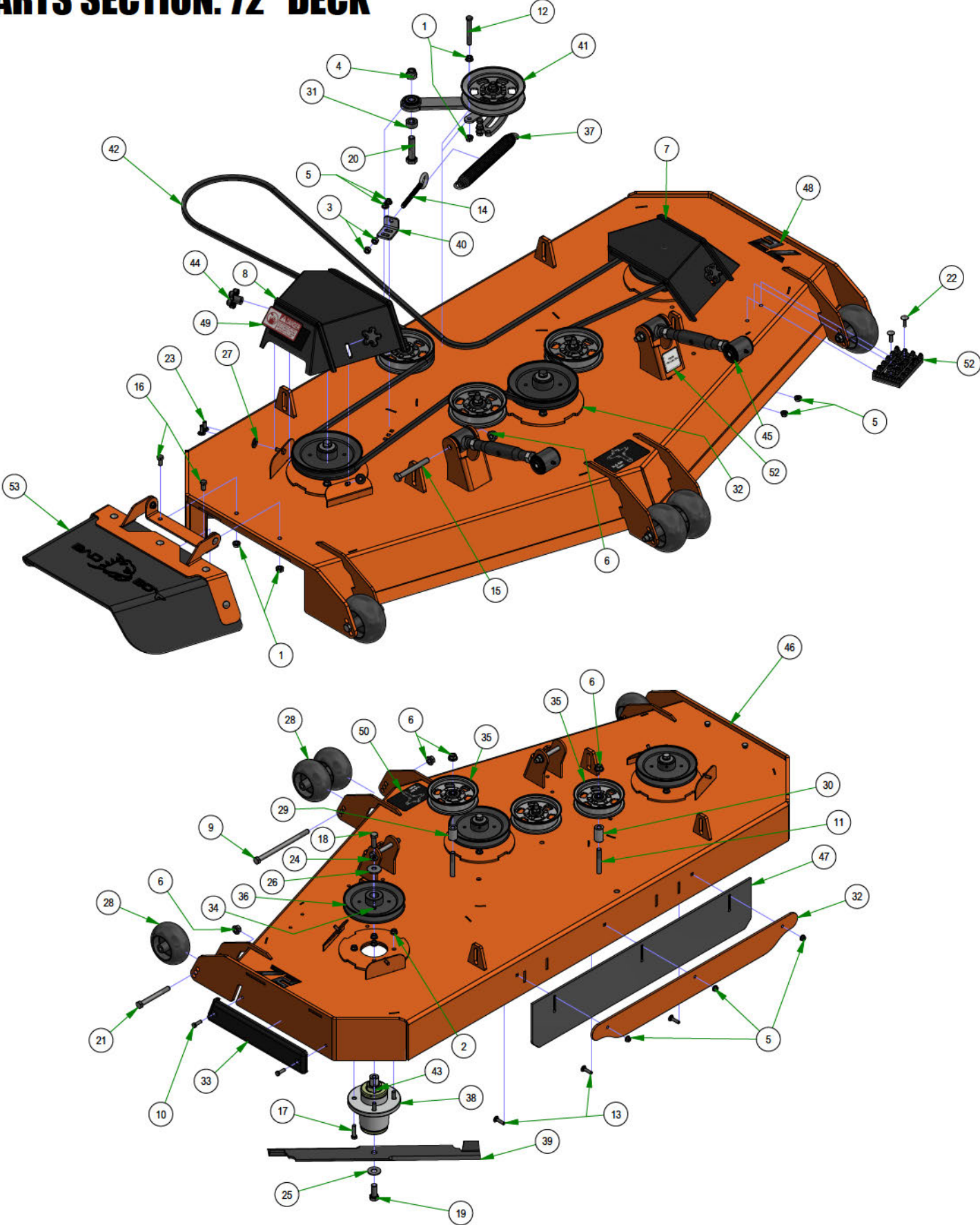
PARTS SECTION: 61" DECK



PARTS SECTION: 61" DECK

| Parts List | | | | Parts List | | | |
|------------|-----|-------------|--------------------------------------------------------|------------|-----|-------------|-----------------------------------------------|
| ITEM | QTY | PART NUMBER | DESCRIPTION | ITEM | QTY | PART NUMBER | DESCRIPTION |
| 1 | 4 | 013-5201-00 | 3/8-16 HEX SERRATED FLANGE NUT HARD/ZINC | 28 | 6 | 022-1001-00 | 2019 Deck Wheel |
| 2 | 12 | 013-5202-00 | 3/8-16 NYLON INSERT FLANGE LOCKNUT (GR.F) ZINC | 29 | 2 | 025-5338-00 | .502 ID X .750 OD X 1.500 Long Spacer |
| 3 | 2 | 013-6014-00 | 3/8-16 HEX NUT ZINC | 30 | 1 | 025-5339-00 | 1 3/4" Pulley Spacer |
| 4 | 1 | 013-7021-00 | 5/8-11 NYLON INSERT LOCKNUT ZINC | 31 | 1 | 025-7020-00 | 5/8 SOLID SHAFT COLLAR (W/1 SET SCREW) ZINC |
| 5 | 9 | 013-8049-00 | 5/16-18 NYLON INSERT FLANGE LOCKNUT ZINC | 32 | 1 | 026-0234-00 | 61 Bolt in Baffle Deck v2 Stripping Plate |
| 6 | 10 | 013-8050-00 | 1/2-13 NYLON INSERT FLANGE LOCKNUT ZINC | 33 | 1 | 029-7036-00 | REVISED TRIM BUMPER_20180226 |
| 7 | 1 | 014-5052-00 | 2019 61" Outlaw Gen2 Pulley Cover Left | 34 | 3 | 030-0050-00 | 5/16-24 X 1/4 SOCKET SET SCREW (CUP PT) PLAIN |
| 8 | 1 | 014-5053-00 | 2019 61" Outlaw Gen2 Pulley Cover Right | 35 | 3 | 033-6004-00 | 6 1/4" Drive Pulley |
| 9 | 1 | 018-0046-00 | 1/2-13 X 8 HEX CAP SCREW GR 5 ZINC | 36 | 3 | 033-7201-25 | 5-3/4 Idler Pulley |
| 10 | 2 | 018-2007-00 | 5/16-18 X 1 HEX CAP SCREW (GR.5) ZINC | 37 | 1 | 034-2030-00 | 2019 Outlaw Gen2 Deck Spring |
| 11 | 3 | 018-2018-00 | 1/2-13 X 3-1/2 HEX FLANGE BOLT (GR.8) ZINC | 38 | 3 | 037-4000-00 | OUTLAW SPINDLE ASSEMBLY |
| 12 | 1 | 018-4700-00 | 3/8-16 X 3 HEX CAP SCREW (GR.5) ZINC | 39 | 3 | 038-6080-00 | 61" High Lift Fusion Blade |
| 13 | 3 | 018-4703-00 | 5/16-18 X 1-1/4 CARRIAGE BOLT ZINC | 40 | 1 | 039-0144-00 | 2019 Deck Eye Bolt Tab |
| 14 | 1 | 018-4707-00 | 4" 3/8-16 Eye Bolt | 51 | 1 | 039-6946-18 | 2019 Rebel Rogue Deck Idler |
| 15 | 2 | 018-5019-00 | 1/2-13 X 4 HEX CAP SCREW (GR.8) ZINC YELLOW | 52 | 1 | 041-0178-00 | B178 Belt |
| 16 | 2 | 018-5250-00 | 3/8-16 X 3/4 HEX CAP SCREW (GR.5) ZINC | 41 | 3 | 042-6030-00 | 1/4 X 1 SQ MACHINERY KEY 1018 STL PLN |
| 17 | 12 | 018-6012-00 | 3/8-16 X 1-1/2 HEX CAP SCREW (GR.5) ZINC | 42 | 4 | 045-6043-00 | 5/16" Knob |
| 18 | 3 | 018-6019-00 | 1/2-20 X 1-1/2 HEX CAP SCREW (GR.5) ZINC | 43 | 2 | 048-9000-00 | Tumbuckle |
| 19 | 3 | 018-6020-00 | 5/8-18 X 1-1/2 HEX CAP SCREW (GR.8) ZINC YELLOW | 44 | 1 | 060-6151-19 | 2019 Sloped 61" Deck |
| 20 | 1 | 018-6059-00 | 5/8-11 X 2-1/2 HEX CAP SCREW (GR.5) ZINC | 45 | 1 | 084-5004-00 | R Series Rubber For Deck |
| 21 | 4 | 018-7050-00 | 1/2-13 X 4-1/2 HEX CAP SCREW (GR.5) ZINC | 46 | 1 | 091-0506-00 | 61" Deck Decal |
| 22 | 2 | 018-8065-00 | 5/16-18 X 1 CARRIAGE BOLT (GR.8) ZINC | 47 | 2 | 091-3012-00 | Danger Decal-Spindle/Discharge |
| 23 | 2 | 018-8066-00 | 5/16-18 X 7/8 CARRIAGE BOLT ZINC | 53 | 1 | 091-4036-00 | 2019 Rebel & Rogue Deck Belt Route Decal |
| 24 | 3 | 019-5007-00 | 1/2 SPLIT LOCKWASHER (GR.8) ZINCYELLOW | 48 | 1 | 091-8001-00 | Deck Impact Patent Decal 9591803 |
| 25 | 3 | 019-5038-00 | 5/8 USS FLAT WASHER (1-3/4" OD) GR.8 ZINC YELLOW | 49 | 1 | 099-7000-00 | Deck Step Assembly |
| 26 | 3 | 019-6020-00 | 1/2 Belleville Washer | 50 | 1 | 210-7000-98 | 2019 Outlaw Gen2 Chute Assembly |
| 27 | 4 | 019-6050-00 | .360 ID X .983 OD X .120 THICK FLAT WASHER NYLON BLACK | | | | |

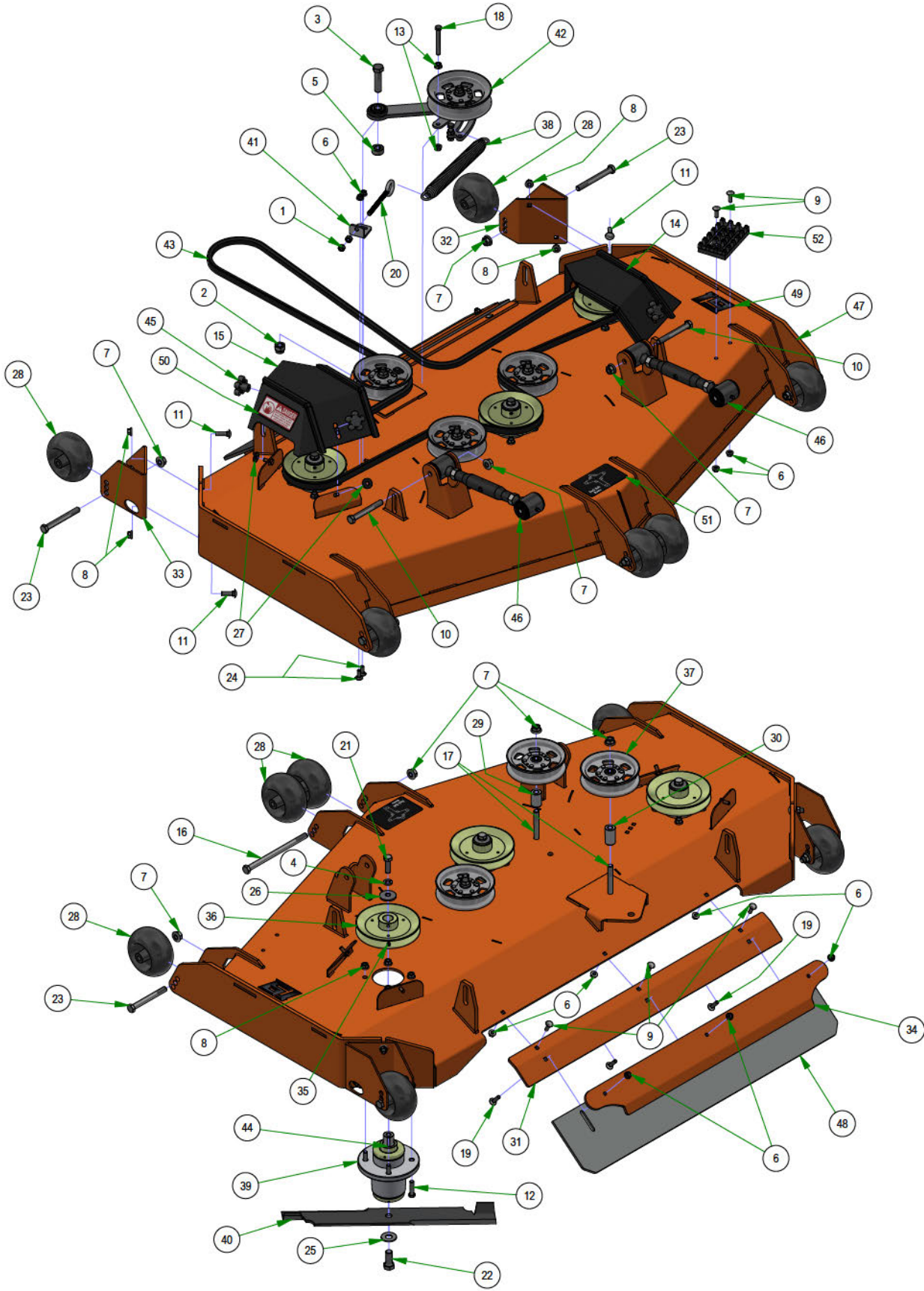
PARTS SECTION: 72" DECK



PARTS SECTION: 72" DECK

| Parts List | | | | Parts List | | | |
|------------|-----|-------------|--------------------------------------------------------|------------|-----|-------------|-----------------------------------------------|
| ITEM | QTY | PART NUMBER | DESCRIPTION | ITEM | QTY | PART NUMBER | DESCRIPTION |
| 1 | 4 | 013-5201-00 | 3/8-16 HEX SERRATED FLANGE NUT HARD/ZINC | 28 | 6 | 022-1001-00 | 2019 Deck Wheel |
| 2 | 12 | 013-5202-00 | 3/8-16 NYLON INSERT FLANGE LOCKNUT (GR.F) ZINC | 29 | 2 | 025-5338-00 | .502 ID X .750 OD X 1.500 Long Spacer |
| 3 | 2 | 013-6014-00 | 3/8-16 HEX NUT ZINC | 30 | 1 | 025-5339-00 | 1 3/4" Pulley Spacer |
| 4 | 1 | 013-7021-00 | 5/8-11 NYLON INSERT LOCKNUT ZINC | 31 | 1 | 025-7020-00 | 5/8 SOLID SHAFT COLLAR (W/1 SET SCREW) ZINC |
| 5 | 9 | 013-8049-00 | 5/16-18 NYLON INSERT FLANGE LOCKNUT ZINC | 32 | 3 | 026-0025-00 | Deck Spindle Support Plate |
| 6 | 10 | 013-8050-00 | 1/2-13 NYLON INSERT FLANGE LOCKNUT ZINC | 33 | 1 | 026-0234-00 | 61 Bolt in Baffle Deck v2 Stripping Plate |
| 7 | 1 | 014-5054-00 | Pulley Cover LH Rebel, Rogue, Renegade 72" | 34 | 1 | 029-7036-00 | REVISED TRIM BUMPER_20180226 |
| 8 | 1 | 014-5055-00 | Pulley Cover RH Rogue, Rebel, Renegade 72" | 35 | 3 | 030-0050-00 | 5/16-24 X 1/4 SOCKET SET SCREW (CUP PT) PLAIN |
| 9 | 1 | 018-0046-00 | 1/2-13 X 8 HEX CAP SCREW GR 5 ZINC | 36 | 3 | 033-7201-25 | 5-3/4 Idler Pulley |
| 10 | 2 | 018-2007-00 | 5/16-18 X 1 HEX CAP SCREW (GR.5) ZINC | 37 | 3 | 033-7203-00 | 7" Deck Pulley |
| 11 | 3 | 018-2018-00 | 1/2-13 X 3-1/2 HEX FLANGE BOLT (GR.8) ZINC | 38 | 1 | 034-2030-00 | 2019 Outlaw Gen2 Deck Spring |
| 12 | 1 | 018-4700-00 | 3/8-16 X 3 HEX CAP SCREW (GR.5) ZINC | 39 | 3 | 037-4000-00 | OUTLAW SPINDLE ASSEMBLY |
| 13 | 3 | 018-4703-00 | 5/16-18 X 1-1/4 CARRIAGE BOLT ZINC | 40 | 3 | 038-7230-00 | 72" High Lift Fusion Blade |
| 14 | 1 | 018-4707-00 | 4" 3/8-16 Eye Bolt | 41 | 1 | 039-0144-00 | 2019 Deck Eye Bolt Tab |
| 15 | 2 | 018-5019-00 | 1/2-13 X 4 HEX CAP SCREW (GR.8) ZINC YELLOW | 42 | 1 | 039-6946-18 | 2019 Rebel Rogue Deck Idler |
| 16 | 2 | 018-5250-00 | 3/8-16 X 3/4 HEX CAP SCREW (GR.5) ZINC | 43 | 1 | 041-0202-00 | B202 Belt for 72" Outlaw |
| 17 | 12 | 018-6012-00 | 3/8-16 X 1-1/2 HEX CAP SCREW (GR.5) ZINC | 44 | 3 | 042-6030-00 | 1/4 X 1 SQ MACHINERY KEY 1018 STL PLN |
| 18 | 3 | 018-6019-00 | 1/2-20 X 1-1/2 HEX CAP SCREW (GR.5) ZINC | 45 | 4 | 045-6043-00 | 5/16" Knob |
| 19 | 3 | 018-6020-00 | 5/8-18 X 1-1/2 HEX CAP SCREW (GR.8) ZINC YELLOW | 46 | 2 | 048-9000-00 | Turnbuckle |
| 20 | 1 | 018-6059-00 | 5/8-11 X 2-1/2 HEX CAP SCREW (GR.5) ZINC | 47 | 1 | 060-7251-19 | 2019 Sloped 72" Deck |
| 21 | 4 | 018-7050-00 | 1/2-13 X 4-1/2 HEX CAP SCREW (GR.5) ZINC | 48 | 1 | 084-5004-00 | R Series Rubber For Deck |
| 22 | 2 | 018-8065-00 | 5/16-18 X 1 CARRIAGE BOLT (GR.8) ZINC | 49 | 1 | 091-0507-00 | 72" Deck Decal |
| 23 | 2 | 018-8066-00 | 5/16-18 X 7/8 CARRIAGE BOLT ZINC | 50 | 2 | 091-3012-00 | Danger Decal-Spindle/Discharge |
| 24 | 3 | 019-5007-00 | 1/2 SPLIT LOCKWASHER (GR.8) ZINCYELLOW | 51 | 1 | 091-4036-00 | 2019 Rebel & Rogue Deck Belt Route Decal |
| 25 | 3 | 019-5038-00 | 5/8 USS FLAT WASHER (1-3/4" OD) GR.8 ZINC YELLOW | 52 | 1 | 091-8001-00 | Deck Impact Patent Decal 9591803 |
| 26 | 3 | 019-6020-00 | 1/2 Belleville Washer | 53 | 1 | 099-7000-00 | Deck Step Assembly |
| 27 | 4 | 019-6050-00 | .360 ID X .983 OD X .120 THICK FLAT WASHER NYLON BLACK | 54 | 1 | 210-7000-98 | 2019 Outlaw Gen2 Chute Assembly |

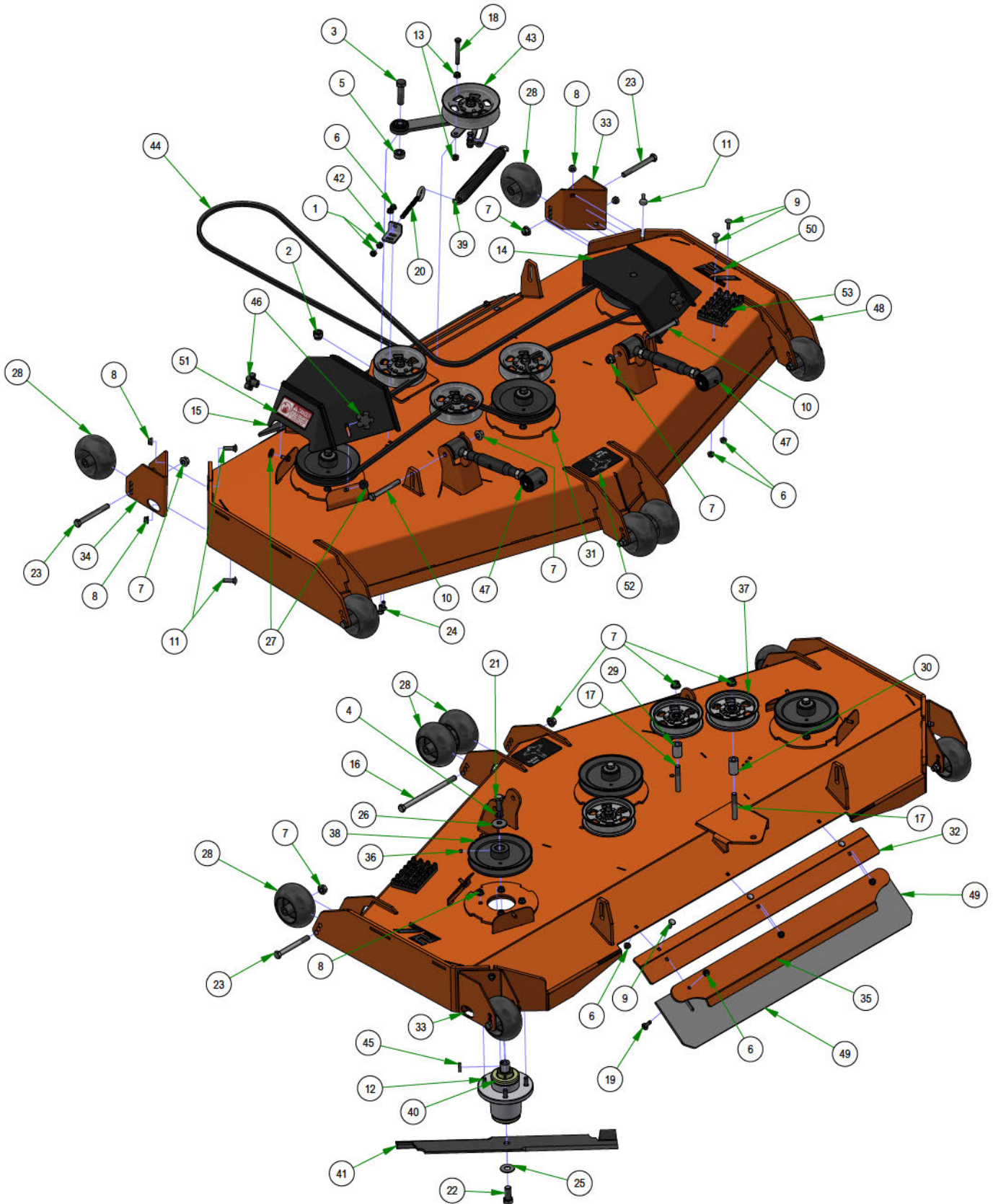
PARTS SECTION: 61" REAR DISCHARGE DECK



PARTS SECTION: 61" REAR DISCHARGE DECK

| Parts List | | | | Parts List | | | |
|------------|-----|-------------|--------------------------------------------------|------------|-----|-------------|--------------------------------------------------------|
| ITEM | QTY | PART NUMBER | DESCRIPTION | ITEM | QTY | PART NUMBER | DESCRIPTION |
| 1 | 2 | 013-6014-00 | 3/8-16 HEX NUT ZINC | 27 | 4 | 019-6050-00 | .360 ID X .983 OD X .120 THICK FLAT WASHER NYLON BLACK |
| 2 | 1 | 013-7021-00 | 5/8-11 NYLON INSERT LOCKNUT ZINC | 28 | 6 | 022-1001-00 | 2019 Deck Wheel |
| 3 | 1 | 018-6059-00 | 5/8-11 X 2-1/2 HEX CAP SCREW (GR.5) ZINC | 29 | 2 | 025-5338-00 | .502 ID X .750 OD X 1.500 Long Spacer |
| 4 | 3 | 019-5007-00 | 1/2 SPLIT LOCKWASHER (GR.8) ZINC/YELLOW | 30 | 1 | 025-5339-00 | 1 3/4" Pulley Spacer |
| 5 | 1 | 025-7020-00 | 5/8 SOLID SHAFT COLLAR (W/1 SET SCREW) ZINC | 31 | 1 | 026-0338-00 | Rubber Mount Plate - Rear Discharge |
| 6 | 10 | 013-8049-00 | 5/16-18 NYLON INSERT FLANGE LOCKNUT ZINC | 32 | 1 | 026-0339-00 | LH Rear Deck Wheel Bracket - Rear Discharge |
| 7 | 10 | 013-8050-00 | 1/2-13 NYLON INSERT FLANGE LOCKNUT ZINC | 33 | 1 | 026-0340-00 | RH Rear Deck Wheel Bracket - Rear Discharge |
| 8 | 16 | 013-5202-00 | 3/8-16 NYLON INSERT FLANGE LOCKNUT (GR.F) ZINC | 34 | 1 | 026-0438-00 | Rear Discharge Stripping Kit Outer Plate |
| 9 | 5 | 018-8065-00 | 5/16-18 X 1 CARRIAGE BOLT (GR.8) ZINC | 35 | 3 | 030-0050-00 | 5/16-24 X 1/4 SOCKET SET SCREW (CUP PT) PLAIN |
| 10 | 2 | 018-5019-00 | 1/2-13 X 4 HEX CAP SCREW (GR.8) ZINC YELLOW | 36 | 3 | 033-6004-00 | 6 1/4" Drive Pulley |
| 11 | 4 | 018-5043-00 | 3/8-16 X 1-1/4 CARRIAGE BOLT ZINC | 37 | 3 | 033-7201-25 | 5-3/4 Idler Pulley |
| 12 | 12 | 018-6012-00 | 3/8-16 X 1-1/2 HEX CAP SCREW (GR.5) ZINC | 38 | 1 | 034-2030-00 | 2019 Outlaw Gen2 Deck Spring |
| 13 | 2 | 013-5201-00 | 3/8-16 HEX SERRATED FLANGE NUT HARD/ZINC | 39 | 3 | 037-4000-00 | OUTLAW SPINDLE ASSEMBLY |
| 14 | 1 | 014-5052-00 | 2019 61" Outlaw Gen2 Pulley Cover Left | 40 | 3 | 038-6080-00 | 61" High Lift Fusion Blade |
| 15 | 1 | 014-5053-00 | 2019 61" Outlaw Gen2 Pulley Cover Right | 41 | 1 | 039-0144-00 | 2019 Deck Eye Bolt Tab |
| 16 | 1 | 018-0046-00 | 1/2-13 X 8 HEX CAP SCREW GR 5 ZINC | 42 | 1 | 039-6946-18 | 2019 Rebel Rogue Deck Idler |
| 17 | 3 | 018-2018-00 | 1/2-13 X 3-1/2 HEX FLANGE BOLT (GR.8) ZINC | 43 | 1 | 041-0178-00 | B178 Belt |
| 18 | 1 | 018-4700-00 | 3/8-16 X 3 HEX CAP SCREW (GR.5) ZINC | 44 | 3 | 042-6030-00 | 1/4 X 1 SQ MACHINERY KEY 1018 STL PLN |
| 19 | 3 | 018-4703-00 | 5/16-18 X 1-1/4 CARRIAGE BOLT ZINC | 45 | 4 | 045-6043-00 | 5/16" Knob |
| 20 | 1 | 018-4707-00 | 4" 3/8-16 Eye Bolt | 46 | 2 | 048-9000-00 | Turnbuckle |
| 21 | 3 | 018-6019-00 | 1/2-20 X 1-1/2 HEX CAP SCREW (GR.5) ZINC | 47 | 1 | 060-2361-00 | 61 Rear Discharge Deck |
| 22 | 3 | 018-6020-00 | 5/8-18 X 1-1/2 HEX CAP SCREW (GR.8) ZINC YELLOW | 48 | 1 | 084-5004-00 | R Series Rubber For Deck |
| 23 | 4 | 018-7050-00 | 1/2-13 X 4-1/2 HEX CAP SCREW (GR.5) ZINC | 49 | 1 | 091-0506-00 | 61" Deck Decal |
| 24 | 2 | 018-8066-00 | 5/16-18 X 7/8 CARRIAGE BOLT ZINC | 50 | 2 | 091-3012-00 | Danger Decal-Spindle/Discharge |
| 25 | 3 | 019-5038-00 | 5/8 USS FLAT WASHER (1-3/4" OD) GR.8 ZINC YELLOW | 51 | 1 | 091-4036-00 | 2019 Rebel & Rogue Deck Belt Route Decal |
| 26 | 3 | 019-6020-00 | 1/2 Belleville Washer | 52 | 1 | 099-7000-00 | Deck Step Assembly |

PARTS SECTION: 72" REAR DISCHARGE DECK

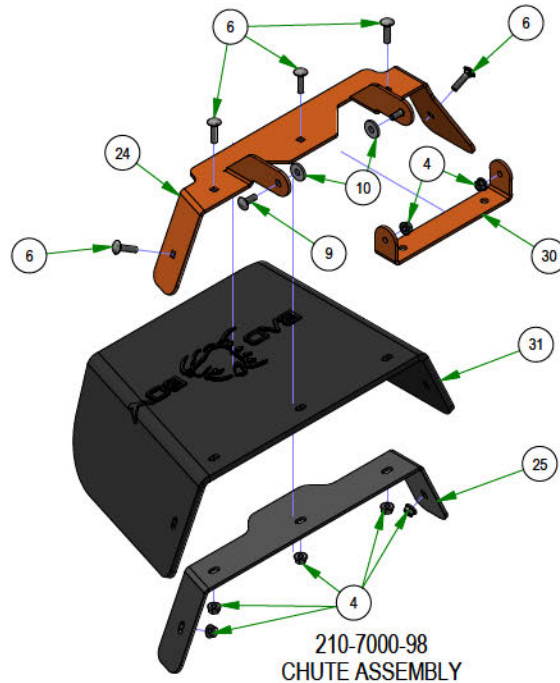
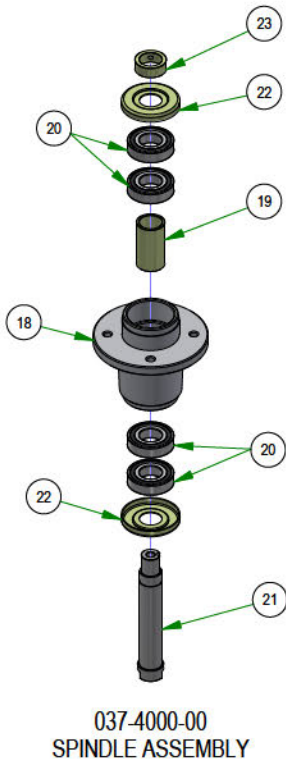
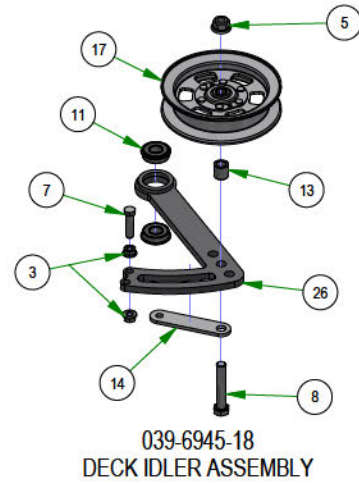
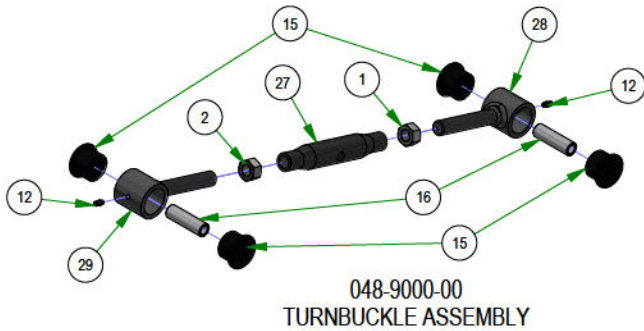


PARTS SECTION: 72" REAR DISCHARGE DECK

| Parts List | | | | Parts List | | | |
|------------|-----|-------------|--------------------------------------------------------|------------|-----|-------------|-----------------------------------------------|
| ITEM | QTY | PART NUMBER | DESCRIPTION | ITEM | QTY | PART NUMBER | DESCRIPTION |
| 1 | 2 | 013-6014-00 | 3/8-16 HEX NUT ZINC | 28 | 6 | 022-1001-00 | 2019 Deck Wheel |
| 2 | 1 | 013-7021-00 | 5/8-11 NYLON INSERT LOCKNUT_ZINC | 29 | 2 | 025-5338-00 | .502 ID X .750 OD X 1.500 Long Spacer |
| 3 | 1 | 018-6059-00 | 5/8-11 X 2-1/2 HEX CAP SCREW (GR.5) ZINC | 30 | 1 | 025-5339-00 | 1 3/4" Pulley Spacer |
| 4 | 3 | 019-5007-00 | 1/2 SPLIT LOCKWASHER (GR.8) ZINC/YELLOW | 31 | 3 | 026-0025-00 | Deck Spindle Support Plate |
| 5 | 1 | 025-7020-00 | 5/8 SOLID SHAFT COLLAR (W/1 SET SCREW) ZINC | 32 | 1 | 026-0338-00 | Rubber Mount Plate - Rear Discharge |
| 6 | 10 | 013-8049-00 | 5/16-18 NYLON INSERT FLANGE LOCKNUT_ZINC | 33 | 1 | 026-0339-00 | LH Rear Deck Wheel Bracket - Rear Discharge |
| 7 | 10 | 013-8050-00 | 1/2-13 NYLON INSERT FLANGE LOCKNUT_ZINC | 34 | 1 | 026-0340-00 | RH Rear Deck Wheel Bracket - Rear Discharge |
| 8 | 16 | 013-5202-00 | 3/8-16 NYLON INSERT FLANGE LOCKNUT (GR.F) ZINC | 35 | 1 | 026-0438-00 | Rear Discharge Stripping Kit Outer Plate |
| 9 | 5 | 018-8065-00 | 5/16-18 X 1 CARRIAGE BOLT (GR.8) ZINC | 36 | 3 | 030-0050-00 | 5/16-24 X 1/4 SOCKET SET SCREW (CUP PT) PLAIN |
| 10 | 2 | 018-5019-00 | 1/2-13 X 4 HEX CAP SCREW (GR.8) ZINC YELLOW | 37 | 3 | 033-7201-25 | 5-3/4 Idler Pulley |
| 11 | 4 | 018-5043-00 | 3/8-16 X 1-1/4 CARRIAGE BOLT ZINC | 38 | 3 | 033-7203-00 | 7" Deck Pulley |
| 12 | 12 | 018-6012-00 | 3/8-16 X 1-1/2 HEX CAP SCREW (GR.5) ZINC | 39 | 1 | 034-2030-00 | 2019 Outlaw Gen2 Deck Spring |
| 13 | 2 | 013-5201-00 | 3/8-16 HEX SERRATED FLANGE NUT HARD/ZINC | 40 | 3 | 037-4000-00 | OUTLAW SPINDLE ASSEMBLY |
| 14 | 1 | 014-5054-00 | Pulley Cover LH Rebel, Rogue, Renegade 72" | 41 | 3 | 038-7230-00 | 72" High Lift Fusion Blade |
| 15 | 1 | 014-5055-00 | Pulley Cover RH Rogue, Rebel, Renegade 72" | 42 | 1 | 039-0144-00 | 2019 Deck Eye Bolt Tab |
| 16 | 1 | 018-0046-00 | 1/2-13 X 8 HEX CAP SCREW GR 5 ZINC | 43 | 1 | 039-6946-18 | 2019 Rebel Rogue Deck Idler |
| 17 | 3 | 018-2018-00 | 1/2-13 X 3-1/2 HEX FLANGE BOLT (GR.8) ZINC | 44 | 1 | 041-0202-00 | B202 Belt for 72" Outlaw |
| 18 | 1 | 018-4700-00 | 3/8-16 X 3 HEX CAP SCREW (GR.5) ZINC | 45 | 3 | 042-6030-00 | 1/4 X 1 SQ MACHINERY KEY 1018 STL PLN |
| 19 | 3 | 018-4703-00 | 5/16-18 X 1-1/4 CARRIAGE BOLT ZINC | 46 | 4 | 045-6043-00 | 5/16" Knob |
| 20 | 1 | 018-4707-00 | 4" 3/8-16 Eye Bolt | 47 | 2 | 048-9000-00 | Tumbuckle |
| 21 | 3 | 018-6019-00 | 1/2-20 X 1-1/2 HEX CAP SCREW (GR.5) ZINC | 48 | 1 | 060-2372-00 | 72 Rear Discharge Deck |
| 22 | 3 | 018-6020-00 | 5/8-18 X 1-1/2 HEX CAP SCREW (GR.8) ZINC YELLOW | 49 | 1 | 084-5004-00 | R Series Rubber For Deck |
| 23 | 4 | 018-7050-00 | 1/2-13 X 4-1/2 HEX CAP SCREW (GR.5) ZINC | 50 | 1 | 091-0507-00 | 72" Deck Decal |
| 24 | 2 | 018-8066-00 | 5/16-18 X 7/8 CARRIAGE BOLT ZINC | 51 | 2 | 091-3012-00 | Danger Decal-Spindle/Discharge |
| 25 | 3 | 019-5038-00 | 5/8 USS FLAT WASHER (1-3/4" OD) GR.8 ZINC YELLOW | 52 | 1 | 091-4036-00 | 2019 Rebel & Rogue Deck Belt Route Decal |
| 26 | 3 | 019-6020-00 | 1/2 Belleville Washer | 53 | 1 | 099-7000-00 | Deck Step Assembly |
| 27 | 4 | 019-6050-00 | .360 ID X .983 OD X .120 THICK FLAT WASHER_NYLON BLACK | | | | |

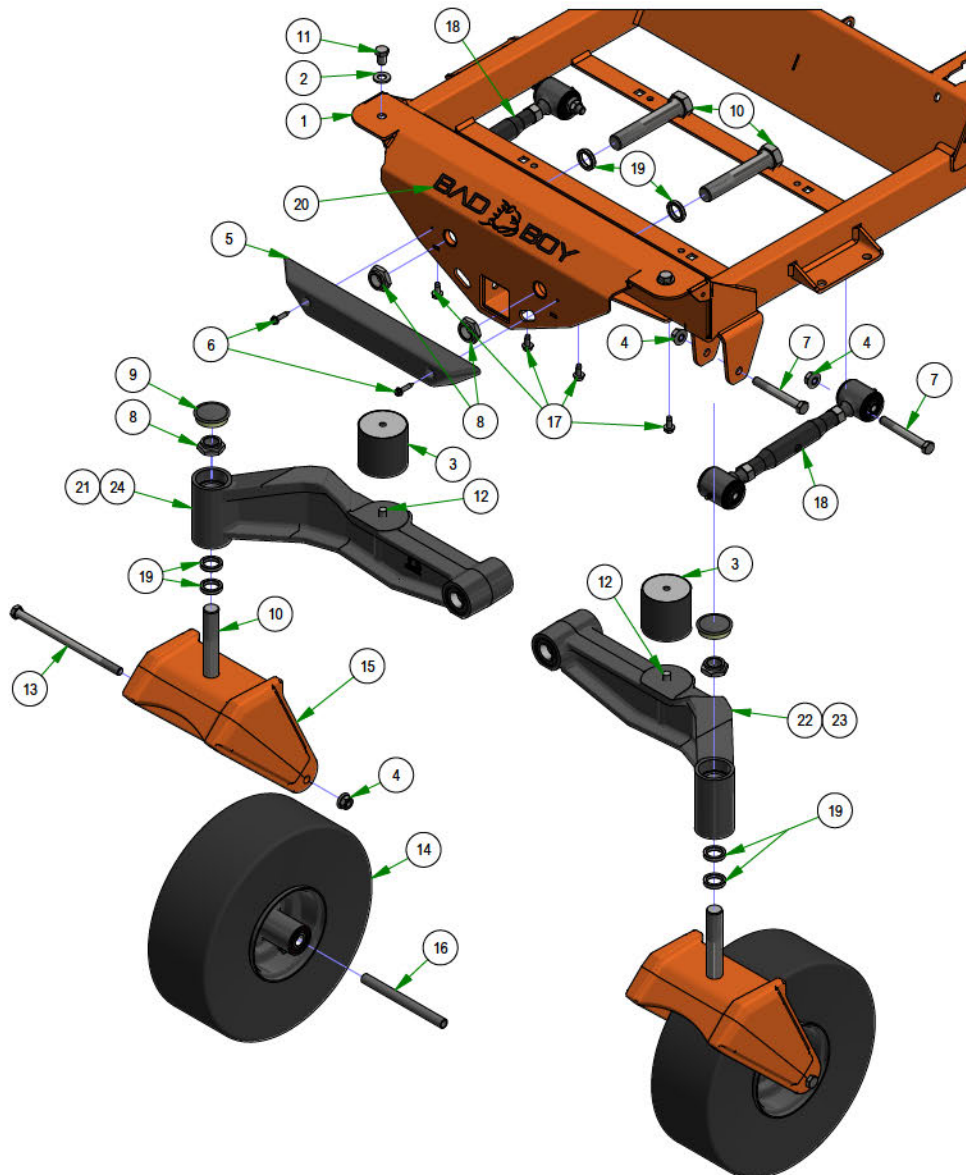
PARTS SECTION: DECK SUBASSEMBLIES

| Parts List | | | | Parts List | | | |
|------------|-----|-------------|------------------------------------------------------------------------|------------|-----|---------------|-------------------------------------------|
| ITEM | QTY | PART NUMBER | DESCRIPTION | ITEM | QTY | PART NUMBER | DESCRIPTION |
| 1 | 1 | 013-0007-00 | 11/16-12 Hex Nut-2015 Toplink | 17 | 1 | 033-8050-00 | 2017 5" Split Idler Pulley-Tensioner Only |
| 2 | 1 | 013-0008-00 | 11/16-12 Lefthand Hex Nut-Topl | 18 | 1 | 037-4000-01 | 4000 Series Spindle Housing |
| 3 | 2 | 013-5201-00 | 3/8-16 HEX SERRATED FLANGE NUT HARD/ZINC | 19 | 1 | 037-4002-00 | 4000 Series Spindle Spacer |
| 4 | 7 | 013-8049-00 | 5/16-18 NYLON INSERT FLANGE LOCKNUT ZINC | 20 | 4 | 037-6023-00 | SINGLE ROW BALL BEARING #6206-2RS1 |
| 5 | 1 | 013-8050-00 | 1/2-13 NYLON INSERT FLANGE LOCKNUT ZINC | 21 | 1 | 037-6026-00 | Spindle Shaft |
| 6 | 5 | 018-4703-00 | 5/16-18 X 1-1/4 CARRIAGE BOLT ZINC | 22 | 2 | 037-8002-00 | Spindle Dust Cap |
| 7 | 1 | 018-6012-00 | 3/8-16 X 1-1/2 HEX CAP SCREW (GR.5) ZINC | 23 | 1 | 037-9050-00 | Locking Collar w/ 1/4"-20 Set Screw |
| 8 | 1 | 018-6036-00 | 1/2-13 X 2-3/4 HEX CAP SCREW (GR.5) ZINC | 24 | 1 | 039-4893-00 | 2019 Upper Chute Bracket |
| 9 | 2 | 018-8066-00 | 5/16-18 X 7/8 CARRIAGE BOLT ZINC | 25 | 1 | 039-4894-00 | 2019 Lower Chute Bracket |
| 10 | 2 | 019-6042-00 | .360 ID X .983 OD X .120 THICK FLAT WASHER NYLON | 26 | 1 | 039-6946-10 | 2019 Deck Belt Tensioner |
| 11 | 2 | 022-7009-00 | Ball Bearing w/Retainer, 99502H-NR, .625 Bore x 1.375 OD x .4375 Width | 27 | 1 | 048-7020-00 | 2015 Outlaw Toplink Body |
| 12 | 2 | 024-6034-00 | 1/4 DRIVE-TYPE STRAIGHT GREASE FITTING ZINC YELLOW) | 28 | 1 | 048-7021-00-D | Tumbuckle End Right-Handed Thread |
| 13 | 1 | 025-5203-00 | .51 ID X .75 OD X .75 LGTH SOLID SPACER ZINC | 29 | 1 | 048-7022-00-D | Tumbuckle End Left-Handed Thread |
| 14 | 1 | 026-0167-00 | Belt Tensioner Retainer Plate | 30 | 1 | 206-6018-00 | 2019 Chute Hanger |
| 15 | 4 | 032-2000-00 | Polyurethane Bushing | 31 | 1 | 210-6025-00 | 2019 Belted Chute with Logo |
| 16 | 2 | 032-2001-00 | Sleeve | | | | |



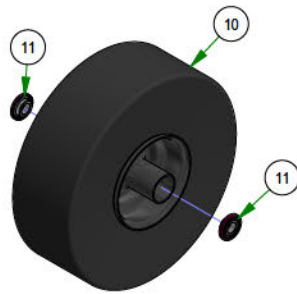
PARTS SECTION: FRONT END

| Parts List | | | | Parts List | | | |
|------------|-----|-------------|---------------------------------------------------|------------|-----|-------------|---------------------------------------------------------------|
| ITEM | QTY | PART NUMBER | DESCRIPTION | ITEM | QTY | PART NUMBER | DESCRIPTION |
| 1 | 1 | 070-2305-00 | 2023 Rogue Frame - Painted | 14 | 2 | 022-0003-00 | 2019 15x6.00-6 Non Pneumatic Black Front Assembly |
| 2 | 2 | 019-5702-00 | 1/2 SAE FLAT WASHER (1-1/16" OD) GR.8 ZINC YELLOW | 15 | 2 | 023-0004-20 | 2020 R Series Cast Front Fork |
| 3 | 2 | 032-8999-00 | Vibration Mount-Blue Dot | 16 | 2 | 025-5202-00 | Front Wheel Spanner |
| 4 | 6 | 013-8050-00 | 1/2-13 NYLON INSERT FLANGE LOCKNUT ZINC | 17 | 4 | 030-7042-00 | 5/16-18 X 3/4 HEX WASHER SLOT (F) TCS ZINC |
| 5 | 1 | 029-8000-00 | 2017 XP Bumper | 18 | 2 | 048-9000-00 | Tumbuckle |
| 6 | 2 | 030-7047-00 | 1/4-14 X 1-1/4 HEX WASHER UNSLOT TEK/3 ZINC | 19 | 6 | 058-1000-00 | 1.02 ID X 1.38 OD X .250 THK SPACER ZINC |
| 7 | 4 | 018-5019-00 | 1/2-13 X 4 HEX CAP SCREW (GR.8) ZINC YELLOW | 20 | 1 | 091-4063-00 | Flying Bulldog Front Bumper Decal |
| 8 | 4 | 013-9004-00 | 1"-14 NYLON INSERT JAM LOCKNUT ZINC | 21 | 1 | 091-8002-00 | Independently Articulating Front Suspension Arms Patent Decal |
| 9 | 2 | 014-2025-00 | 2017 Bearing Cover | 21 | 1 | 250-0032-03 | 2022 61/72 Rogue/Renegade Front Suspension Asy RH |
| 10 | 4 | 018-0026-00 | 1"-14 X 5-1/2 HEX CAP SCREW (GR.8) ZINC YELLOW | 22 | 1 | 250-0032-54 | 54 ROGUE FRONT SUSPENSION ASSEMBLY LH |
| 11 | 2 | 018-1055-00 | 1/2-13 X 3/4 HEX CAP SCREW (GR.5) ZINC | 23 | 1 | 250-0033-03 | 2022 61/72 Rogue/Renegade Front Suspension Asy LH |
| 12 | 2 | 018-2009-00 | 1/2-13 x 1" Stud | 24 | 1 | 250-0033-54 | 54 ROGUE FRONT SUSPENSION ASSEMBLY RH |
| 13 | 2 | 018-7010-00 | 1/2-13 X 9 HEX CAP SCREW (GR.5) ZINC | | | | |

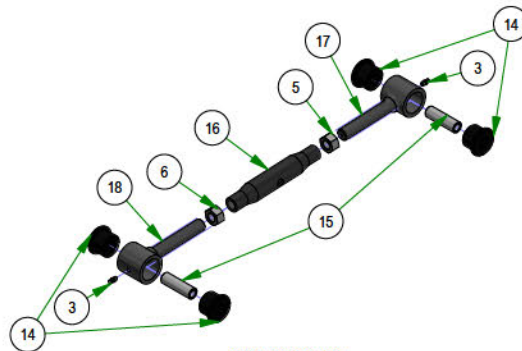


PARTS SECTION: FRONT END SUBASSEMBLIES

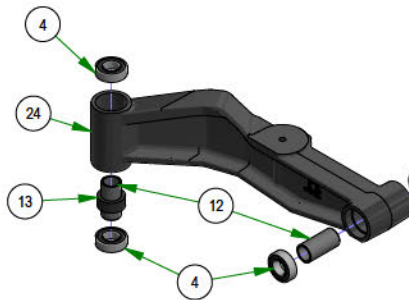
| Parts List | | | | Parts List | | | |
|------------|-----|-------------|-----------------------------------------------------|------------|-----|---------------|--------------------------------------------|
| ITEM | QTY | PART NUMBER | DESCRIPTION | ITEM | QTY | PART NUMBER | DESCRIPTION |
| 1 | 2 | 018-4010-00 | 1/2-13 NYLON INSERT JAM LOCKNUT ZINC | 13 | 4 | 029-7050-00 | Rubber Stabilizer (Front Forks) [R series] |
| 2 | 2 | 018-3001-00 | 5/8 X 5/8 SOCKET SHOULDER BOLT ZINC YELLOW | 14 | 4 | 032-2000-00 | Polyurethane Bushing |
| 3 | 2 | 024-6034-00 | 1/4 DRIVE-TYPE STRAIGHT GREASE FITTING ZINC YELLOW) | 15 | 2 | 032-2001-00 | Sleeve |
| 4 | 16 | 010-1050-00 | 1641 BEARING W/2 CONTACT RUBBER SEALS | 16 | 1 | 048-7020-00 | 2015 Outlaw Toplink Body |
| 5 | 1 | 013-0007-00 | 11/16-12 Hex Nut-2015 Toplink | 17 | 1 | 048-7021-00-D | Turnbuckle End Right-Handed Thread |
| 6 | 1 | 013-0008-00 | 11/16-12 Lefthand Hex Nut-Topl | 18 | 1 | 048-7022-00-D | Turnbuckle End Left-Handed Thread |
| 7 | 2 | 013-9004-00 | 1"-14 NYLON INSERT JAM LOCKNUT ZINC | 19 | 1 | 250-0032-01 | INNER RH FRONT AXLE |
| 8 | 2 | 018-0026-00 | 1"-14 X 5-1/2 HEX CAP SCREW (GR.8) ZINC YELLOW | 20 | 1 | 250-0032-02 | OUTER FRONT ARM RH |
| 9 | 2 | 018-2009-00 | 1/2-13 x 1" Stud | 21 | 1 | 250-0032-22 | 2019 Front I-Beam Left - Black |
| 10 | 1 | 022-0004-00 | 15x6-6 Tire Only | 22 | 1 | 250-0033-01 | INNER FRONT ARM LH |
| 11 | 2 | 022-7010-00 | 1-3/4" Bearing-Large Bore Front Rim | 23 | 1 | 250-0033-02 | CAST OUTER ARM LH |
| 12 | 8 | 025-0003-00 | 2016 Front Bearing Spacer | 24 | 1 | 250-0033-22 | R.H. I-BEAM ARM - Black |



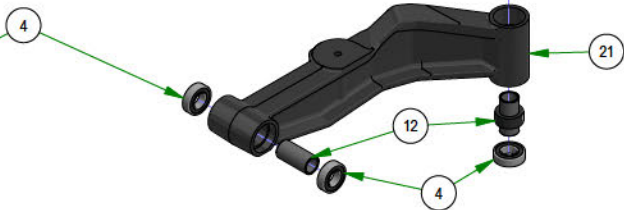
022-0003-00
FRONT WHEEL & TIRE



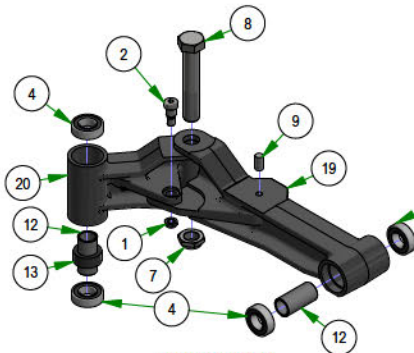
048-8000-00
TURNBUCKLE ASSEMBLY



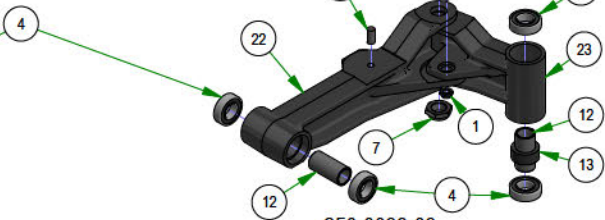
250-0033-54
RH FRONT SUSPENSION ARM
54" DECK



250-0032-54
LH FRONT SUSPENSION ARM
54" DECK



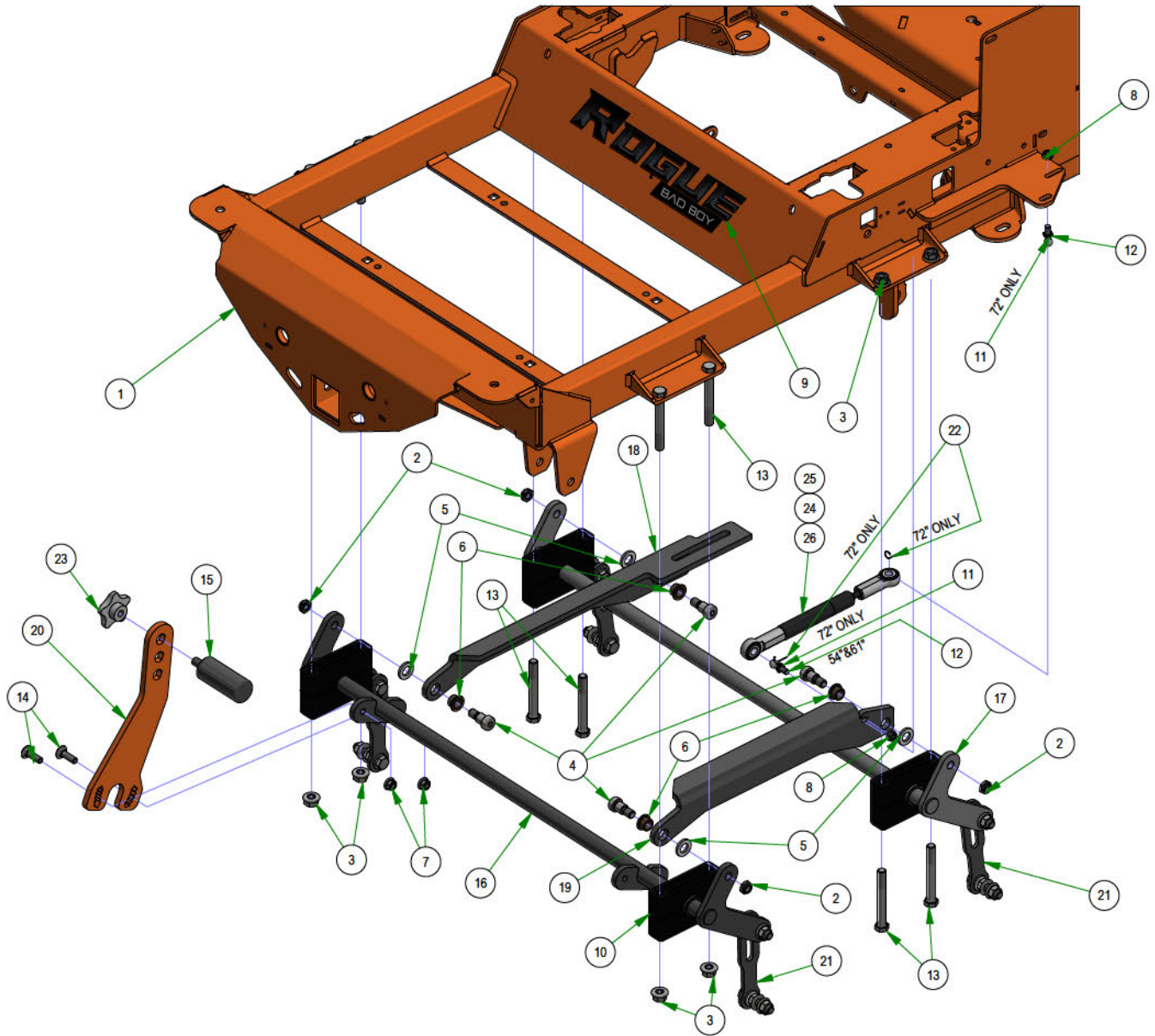
250-0032-03
RH FRONT SUSPENSION ARM
61" & 72" DECK



250-0033-03
LH FRONT SUSPENSION ARM
61" & 72" DECK

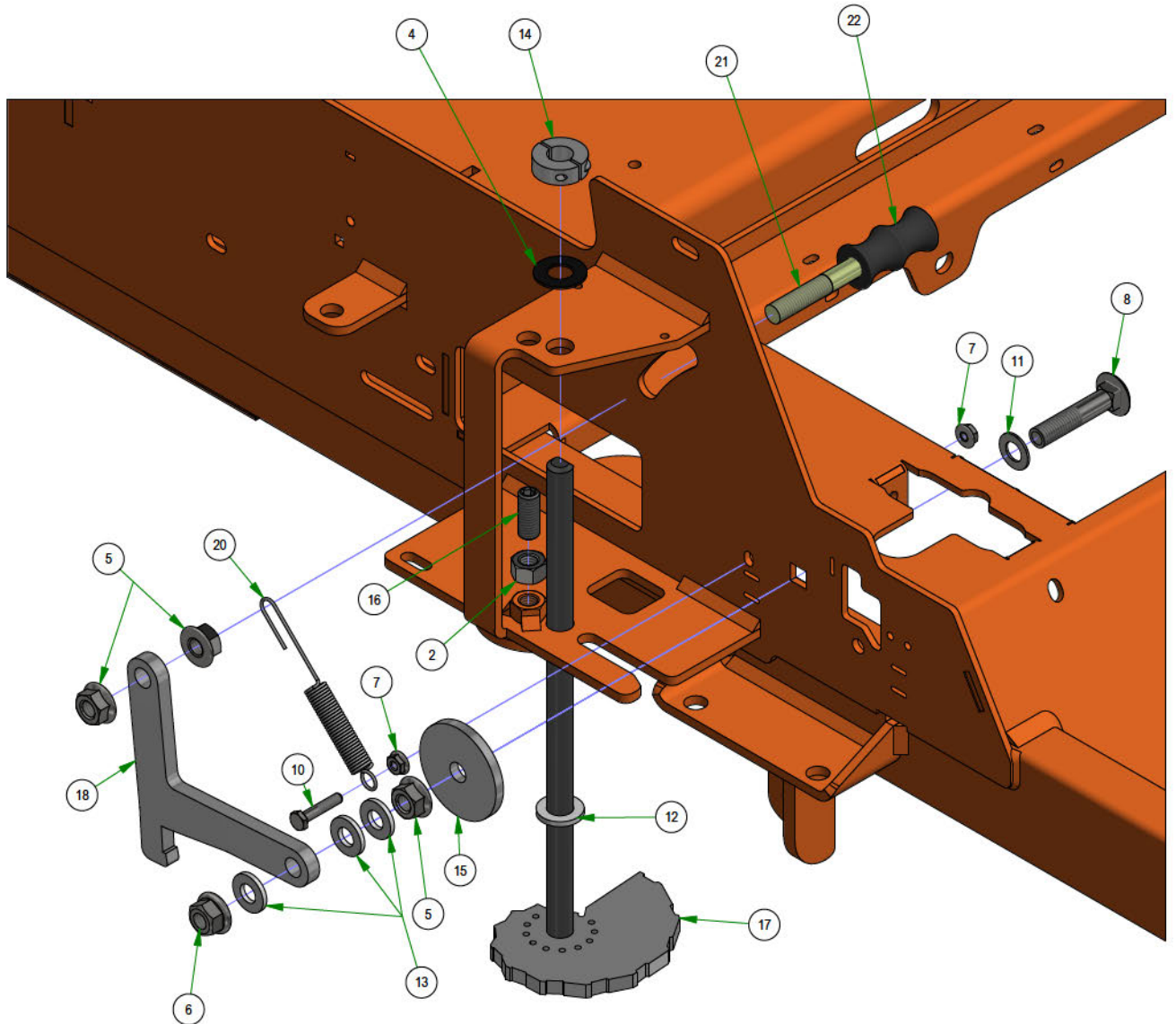
PARTS SECTION: DECK HEIGHT CONTROL

| Parts List | | | | Parts List | | | |
|------------|-----|-------------|--------------------------------------------------------------------------------------------------|------------|-----|-------------|---------------------------------------|
| ITEM | QTY | PART NUMBER | DESCRIPTION | ITEM | QTY | PART NUMBER | DESCRIPTION |
| 1 | 1 | 070-2305-00 | 2023 Rogue Frame - Painted | 14 | 2 | 018-5043-00 | 3/8-16 X 1-1/4 CARRIAGE BOLT ZINC |
| 2 | 4 | 018-4010-00 | 1/2-13 NYLON INSERT JAM LOCKNUT ZINC | 15 | 1 | 026-0026-00 | Knurled Pedal |
| 3 | 8 | 013-8050-00 | 1/2-13 NYLON INSERT FLANGE LOCKNUT ZINC | 16 | 1 | 028-0026-00 | 2019 Outlaw Actuator - Front |
| 4 | 4 | 018-3001-00 | 5/8 X 5/8 SOCKET SHOULDER BOLT ZINC YELLOW | 17 | 1 | 028-0027-00 | 2019 Outlaw Actuator - Rear |
| 5 | 4 | 019-6017-00 | .635 ID X 1.120 OD X .140 THICK FLAT WASHER NYLON | 18 | 1 | 028-6075-22 | 2019 Actuator Linkage - Right - Black |
| 6 | 4 | 032-5052-00 | .627 ID X .753 OD X .500 LGTH X 1.000 FLG OD X .094 FLG THICK FLANGED BEARING OIL-IMPREG BRNZ | 19 | 1 | 028-6076-22 | 2019 Actuator Linkage - Left - Black |
| 7 | 2 | 013-5202-00 | 3/8-16 NYLON INSERT FLANGE LOCKNUT (GR.F) ZINC | 20 | 1 | 031-0003-00 | Foot Lift Upright Lever |
| 8 | 2 | 013-9002-00 | 5/16-18 HEX SERRATED FLANGE NUT HARD/ZINC | 21 | 4 | 039-2125-17 | Deck Hanger Assembly |
| 9 | 1 | 091-0516-00 | Rogue back Plate & Front Decal | 22 | 2 | 044-6050-00 | Security Ring - PC744 |
| 10 | 4 | 017-9075-00 | Pillow Block Assembly | 23 | 1 | 045-6044-00 | Foot Pedal Knob 1/2-13 |
| 11 | 2 | 018-2049-00 | 13mm Damper Ball Stud-Steering | 24 | 1 | 087-5400-00 | 200 lb Gas Spring - 54" Deck outlaw |
| 12 | 2 | 018-2055-00 | 10mm Damper Ball Stud-XP Linkage | 25 | 1 | 087-6100-00 | 250lb Gas Spring - 61" Deck |
| 13 | 8 | 018-5019-00 | 1/2-13 X 4 HEX CAP SCREW (GR.8) ZINC YELLOW | 26 | 1 | 087-7200-00 | 300lb Gas Spring - 72" Deck |



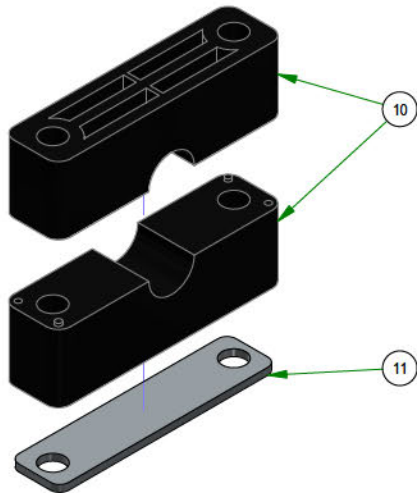
PARTS SECTION: DECK HEIGHT CAM & LOCK

| Parts List | | | | Parts List | | | |
|------------|-----|-------------|----------------------------------------------------|------------|-----|-------------|-----------------------------------------------------------------------------------------------|
| ITEM | QTY | PART NUMBER | DESCRIPTION | ITEM | QTY | PART NUMBER | DESCRIPTION |
| 1 | 1 | 070-2305-00 | 2023 Rogue Frame - Painted | 12 | 2 | 019-6017-00 | .635 ID X 1.120 OD X .140 THICK FLAT WASHER NYLON |
| 2 | 1 | 013-7018-00 | 1/2-13 HEX NUT ZINC | 13 | 3 | 019-8054-00 | .505 ID X 1.000 OD X .125 THICK FLAT WASHER NYLON |
| 3 | 1 | 018-4010-00 | 1/2-13 NYLON INSERT JAM LOCKNUT ZINC | 14 | 1 | 025-0002-00 | 5/8" Split Collar |
| 4 | 1 | 013-0080-00 | .625 ID X 1.250 OD X .062 THK F/W Nylon | 15 | 1 | 025-0025-00 | MZ Deck Idler Spacer |
| 5 | 3 | 013-5300-00 | 1/2-13 HEX SERRATED FLANGE NUT HARD/ZINC | 16 | 1 | 028-0008-00 | Dial Rod Plunger |
| 6 | 1 | 013-8050-00 | 1/2-13 NYLON INSERT FLANGE LOCKNUT ZINC | 17 | 1 | 028-0015-19 | 2019 Outlaw Gen2 Deck Height Dial Rod Assy |
| 7 | 2 | 013-9001-00 | 1/4-20 HEX SERRATED FLANGE NUT HARD/ZINC | 18 | 1 | 031-0125-00 | 2019 Outlaw Deck Travel Lock |
| 8 | 1 | 018-0043-00 | 2 1/2 x 1/2 Carriage Bolt | 19 | 1 | 032-5052-00 | .627 ID X .753 OD X .500 LGTH X 1.000 FLG OD X .094 FLG THICK FLANGED BEARING OIL-IMPREG BRNZ |
| 9 | 1 | 018-3001-00 | 5/8 X 5/8 SOCKET SHOULDER BOLT ZINC YELLOW | 20 | 1 | 034-1025-00 | Brake Spring |
| 10 | 1 | 018-4702-00 | 1/4-20 X 1-1/4 HEX CAP SCREW (GR.5) ZINC | 21 | 1 | 044-4000-00 | Seat Bracket Pin |
| 11 | 1 | 019-0007-00 | .517 SQ WDT ID X .937 OD X .060 THICK F/W PHOS/OIL | 22 | 1 | 069-4011-00 | Travel Lock Rubber Grip |

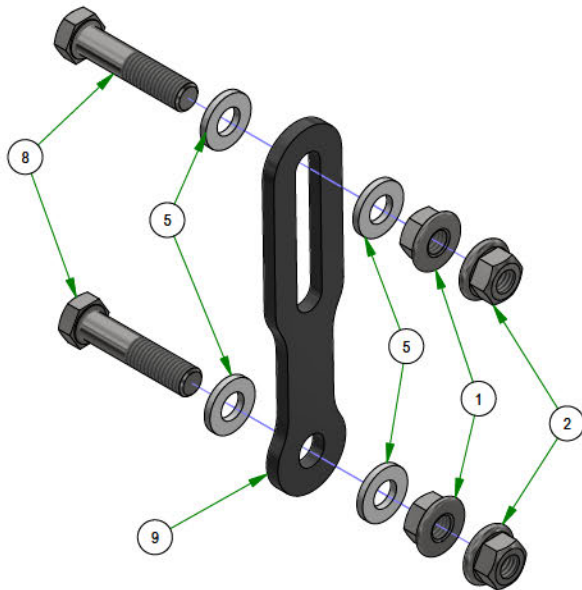


PARTS SECTION: DECK HEIGHT CONTROLS SUBASSEMBLIES

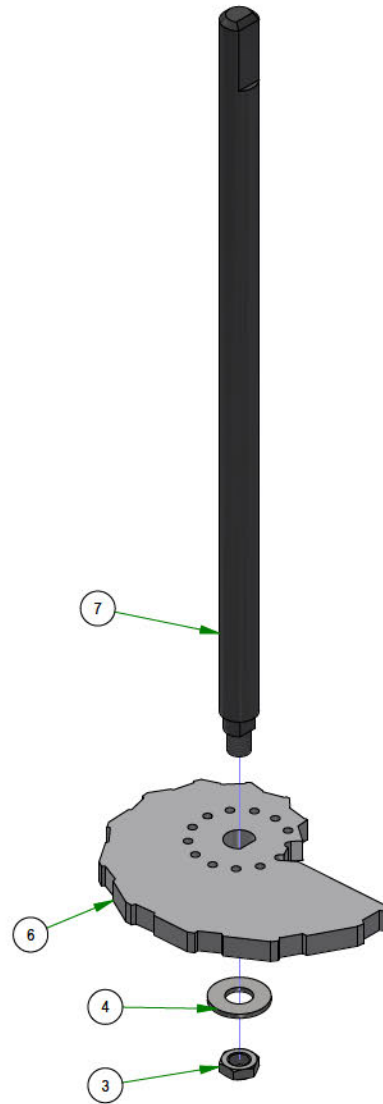
| Parts List | | | | Parts List | | | |
|------------|-----|-------------|---------------------------------------------------|------------|-----|-------------|------------------------------------------|
| ITEM | QTY | PART NUMBER | DESCRIPTION | ITEM | QTY | PART NUMBER | DESCRIPTION |
| 1 | 2 | 013-5300-00 | 1/2-13 HEX SERRATED FLANGE NUT HARD/ZINC | 7 | 1 | 028-0015-00 | 2019 Outlaw Gen2 Dial Rod |
| 2 | 2 | 013-8050-00 | 1/2-13 NYLON INSERT FLANGE LOCKNUT ZINC | 8 | 2 | 018-6037-00 | 1/2-13 X 2-1/4 HEX CAP SCREW (GR.5) ZINC |
| 3 | 1 | 018-4011-00 | 3/8-24 NYLON INSERT JAM LOCKNUT ZINC | 9 | 1 | 039-2125-00 | Deck Hanger |
| 4 | 1 | 019-5029-00 | 3/8 FLAT WASHER USS (1" OD) ZINC | 10 | 2 | 017-9000-00 | Two Piece Pillow Block |
| 5 | 4 | 019-8054-00 | .505 ID X 1.000 OD X .125 THICK FLAT WASHER NYLON | 11 | 1 | 017-9025-00 | Two Piece Pillow Block Strap |
| 6 | 1 | 026-1101-00 | 2019 Deck Height Cam | | | | |



017-9075-00
PILLOW BLOCK ASSEMBLY



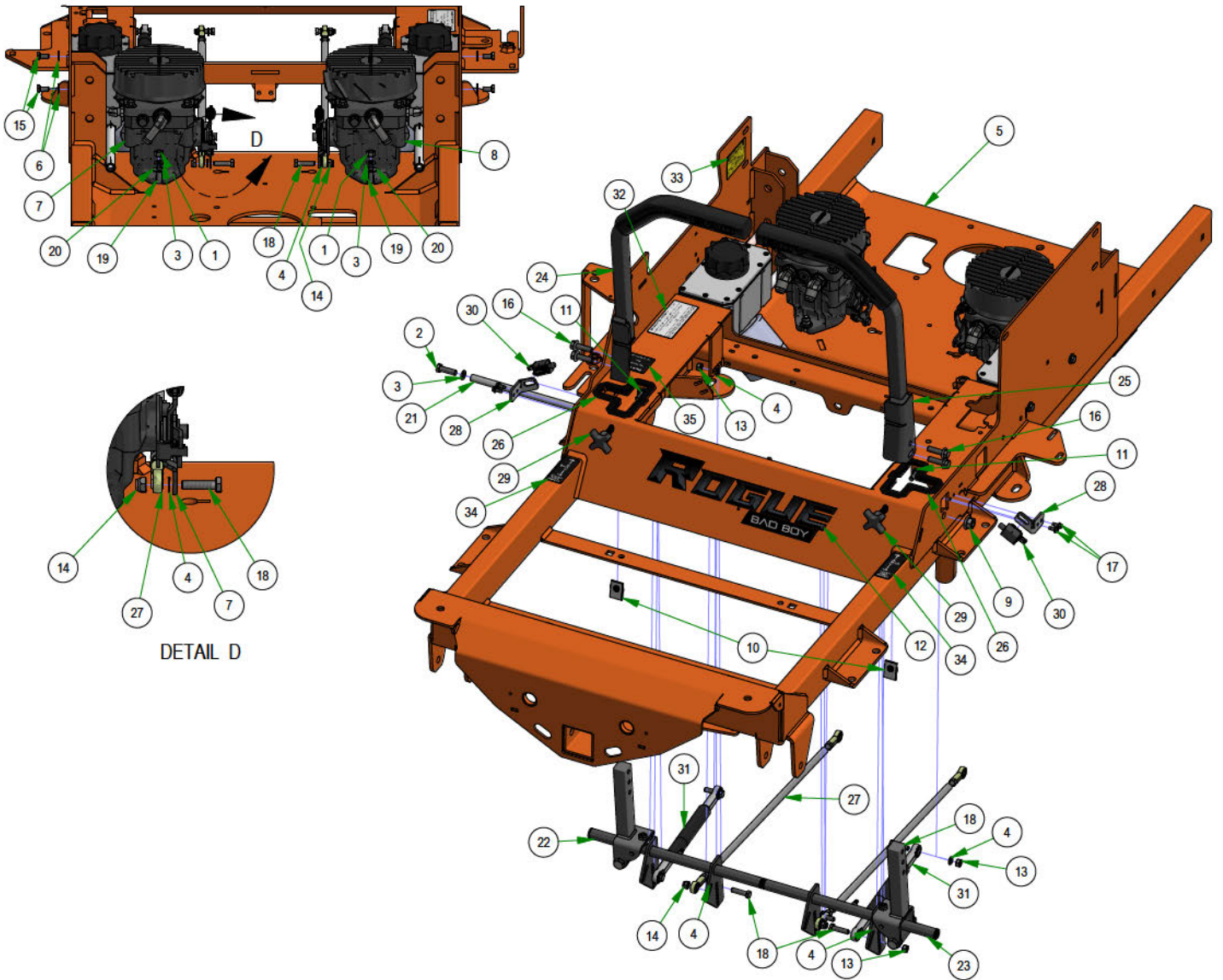
039-2125-17
DECK HANGER



028-0015-19
DECK HEIGHT CAM ASSEMBLY

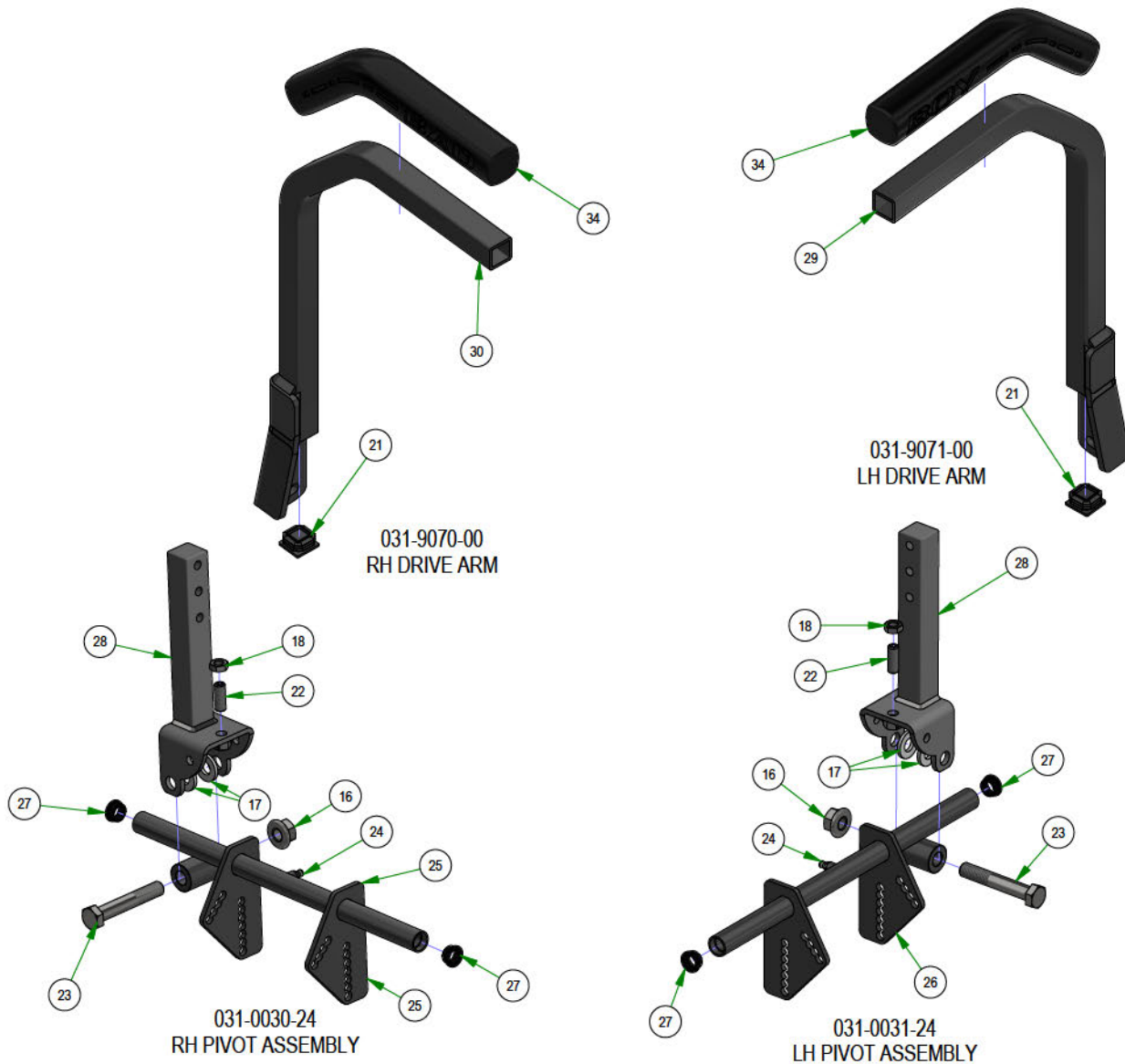
PARTS SECTION: DRIVE ARMS

| Parts List | | | | Parts List | | | |
|------------|-----|-------------|---------------------------------------------------------|------------|-----|-------------|------------------------------------------------|
| ITEM | QTY | PART NUMBER | DESCRIPTION | ITEM | QTY | PART NUMBER | DESCRIPTION |
| 1 | 4 | 013-8014-00 | 3/8-16 HEX NUT ZINC | 19 | 4 | 018-8012-00 | 3/8-16 X 1-1/2 HEX CAP SCREW (GR.5) ZINC |
| 2 | 1 | 018-5040-00 | 3/8-16 X 1-1/4 HEX CAP SCREW (GR.5) ZINC | 20 | 4 | 019-8044-00 | 5/16 USS FLAT WASHER (7/8 OD) ZINC |
| 3 | 5 | 019-5037-00 | 3/8 SPLIT LOCKWASHER ZINC | 21 | 1 | 028-0051-00 | 2019 Steering Actuator Rod |
| 4 | 8 | 019-8051-00 | 5/16 SPLIT LOCKWASHER ZINC | 22 | 1 | 031-0030-24 | R Series Square Drive Arm Actuator RH Assembly |
| 5 | 1 | 070-2305-00 | 2023 Rogue Frame - Painted | 23 | 1 | 031-0031-24 | R Series Square Drive Arm Actuator LH Assembly |
| 6 | 4 | 019-7040-00 | 1/4 USS FLAT WASHER (3/4 OD) ZINC | 24 | 1 | 031-9070-00 | R Series Square Drive Arm RH Assembly |
| 7 | 1 | 067-8053-21 | 2021 LH ROGUE HYDRO TANK LINE ASSY | 25 | 1 | 031-9071-00 | R Series Square Drive Arm LH Assembly |
| 8 | 1 | 067-8054-21 | 2021 RH ROGUE HYDRO TANK LINE ASSY | 26 | 2 | 032-0002-00 | Snap-in Drive Arm Bushing |
| 9 | 1 | 013-8050-00 | 1/2-13 NYLON INSERT FLANGE LOCKNUT ZINC | 27 | 2 | 035-0004-00 | 2019 Outlaw Gen2 XP Push Rod Assembly |
| 10 | 2 | 013-0021-00 | Extruded Nut 3/8"-16 3/4" Hole Center With Patch | 28 | 2 | 039-2163-00 | Push In Arm Safety Switch R Series Bracket |
| 11 | 2 | 013-9002-00 | 5/16-18 HEX SERRATED FLANGE NUT HARD/ZINC | 29 | 2 | 057-5800-00 | Speed Limiting Knob 3/8-16X 3" |
| 12 | 1 | 091-0516-00 | Rogue back Plate & Front Decal | 30 | 2 | 077-8075-00 | Rail Mount Safety Switch |
| 13 | 4 | 013-8043-00 | 5/16-18 HEX NUT ZINC | 31 | 2 | 087-0002-00 | 2019 SROID Damper With Spherical Rod Ends |
| 14 | 4 | 013-8047-00 | 5/16-18 NYL INS L/N ZC | 32 | 1 | 091-0015-26 | 2026 EPA Build Date Punch Decal |
| 15 | 4 | 018-0068-00 | 5/16-18 x 5/8 Hex Bolt | 33 | 2 | 091-1020-00 | Hydraulic Decal |
| 16 | 4 | 018-0078-00 | 3/8-16 X 1 1/4 HEX WASHER UNSLOT MACHINE SCREW ZINC GR5 | 34 | 1 | 091-1114-00 | 2018 LH/RH Steering Control Decal Roll |
| 17 | 4 | 018-1080-00 | 12-24 X 1/2 HEX WASHER UNSLOT F TCS ZINC | 35 | 1 | 091-4037-00 | 2019 Deck Release Decal |
| 18 | 10 | 018-2006-00 | 5/16-18 X 1-1/4 HEX CIS (GR.5) ZC | | | | |

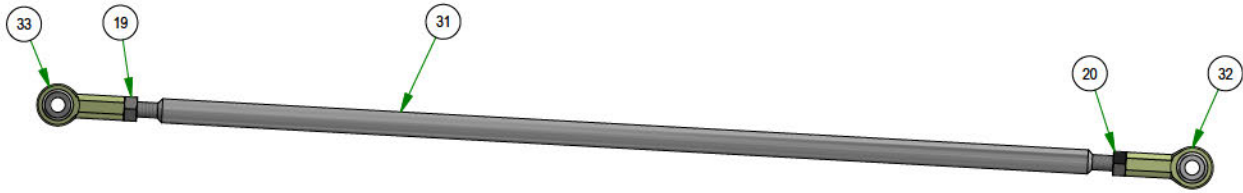


PARTS SECTION: DRIVE ARM SUBASSEMBLIES

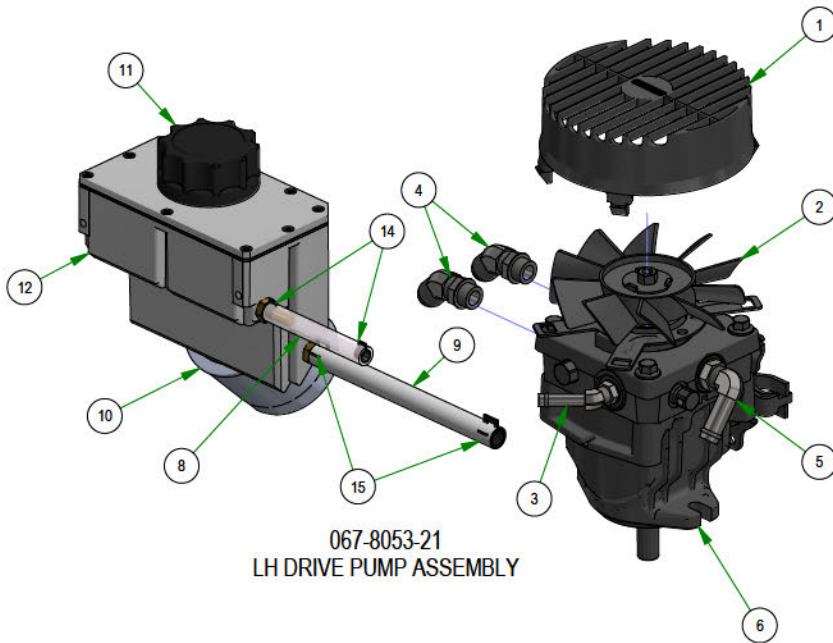
| Parts List | | | | Parts List | | | |
|------------|-----|-------------|---------------------------------------------------|------------|-----|-------------|-------------------------------------------------------|
| ITEM | QTY | PART NUMBER | DESCRIPTION | ITEM | QTY | PART NUMBER | DESCRIPTION |
| 1 | 2 | 014-5600-00 | Fan Guard 6" - Fits Wheel | 19 | 1 | 013-6049-00 | 5/16 RH Nut |
| 2 | 2 | 015-9999-00 | Hydro Fan - Light/Pup/Outlaw XP | 20 | 1 | 013-6050-00 | 5/16 LH Nut |
| 3 | 2 | 024-1200-00 | ZT Fitting, 3/8 x 3/8 45 Degree, 4603-6-6 | 21 | 2 | 014-9004-00 | 9565K52_Polyethylene Square Plug |
| 4 | 4 | 024-2051-00 | 2019 Outlaw 45 Degree Pump Fitting #6802-10-08 | 22 | 2 | 018-0063-00 | 3/8-16 X 1 SOCKET SET SCREW (CUP POINT) PLAIN |
| 5 | 2 | 024-5002-00 | 90 Degree Fitting, 1/2 x 3/4, 4601-8-8 | 23 | 2 | 018-7016-00 | 1/2-13 X 3 HEX CAP SCREW (GR.5) ZINC |
| 6 | 1 | 050-3001-00 | 2019 Rogue/Renegade Left Pump 16cc | 24 | 2 | 024-6034-00 | 1/4 DRIVE-TYPE STRAIGHT GREASE FITTING ZINC YELLOW) |
| 7 | 1 | 050-3002-00 | 2019 Rouge/Renegade Right Pump 16cc | 25 | 1 | 031-0030-10 | 2019 Drive Arm Actuator right - Weldment |
| 8 | 2 | 051-8063-04 | 3/8" Clear Hose x 4 1/2" | 26 | 1 | 031-0031-10 | 2019 Drive Arm Actuator left - Weldment |
| 9 | 2 | 051-8064-10 | 1/2 Clear Braided Hose Priced/Foot x 9.5" | 27 | 4 | 031-0032-00 | 2019 Drive Arm Bushing |
| 10 | 2 | 063-8014-00 | Hydraulic Filter | 28 | 2 | 031-0070-00 | R Series Square Drive Arm Pivot |
| 11 | 2 | 066-8050-22 | Hydraulic Tank Cap W/Dipstick | 29 | 1 | 031-9021-00 | R Series Square Drive Arm LH Weldment |
| 12 | 1 | 067-8053-00 | 2019 Left Outlaw Gen2 Hydro Tank Suspension Only | 30 | 1 | 031-9022-00 | R Series Square Drive Arm RH Weldment |
| 13 | 1 | 067-8054-00 | 2019 Right Outlaw Gen2 Hydro Tank Suspension Only | 31 | 1 | 035-0004-01 | 2019 Outlaw Gen2 Xp Rod |
| 14 | 4 | 072-8065-00 | 3/8" Hose Clamp | 32 | 1 | 048-3002-00 | Spherical Rod End - LH Thread - Rebel,Rogue, Renegade |
| 15 | 4 | 072-8066-00 | 1/2 Hose Clamp | 33 | 1 | 048-3003-00 | Spherical Rod End - RH Thread - Rogue and Renegade |
| 16 | 2 | 013-8050-00 | 1/2-13 NYLON INSERT FLANGE LOCKNUT ZINC | 34 | 2 | 069-4014-00 | R-Series Square Drive Grip |
| 17 | 4 | 019-8054-00 | .505 ID X 1.000 OD X .125 THICK FLAT WASHER NYLON | 35 | 2 | 085-4019-00 | 1 Quart of 20W50 Oil |
| 18 | 2 | 013-0017-00 | 3/8-16 Half Jam Nut | | | | |



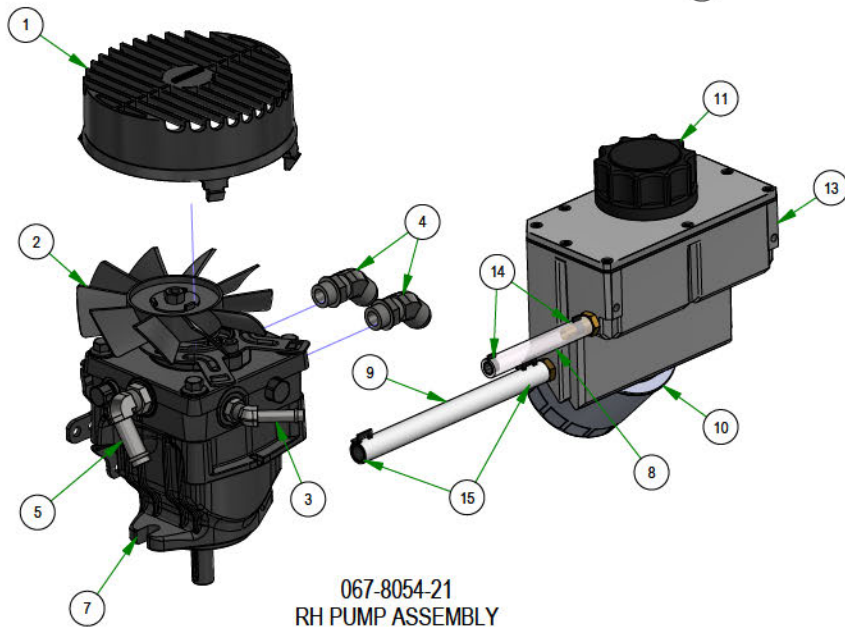
PARTS SECTION: DRIVE ARM SUBASSEMBLIES



035-0004-00
PUSH ROD ASSEMBLY

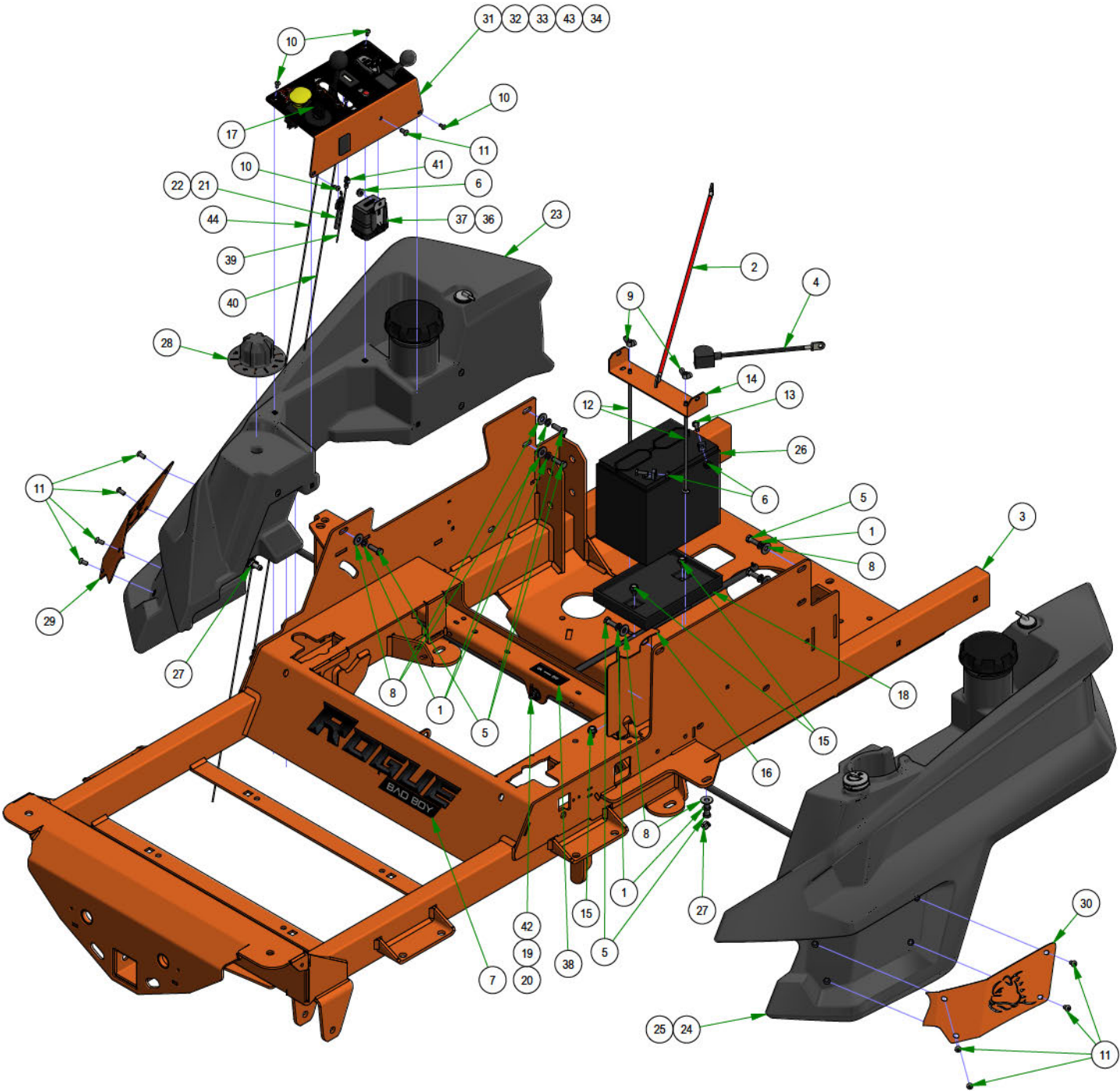


067-8053-21
LH DRIVE PUMP ASSEMBLY



067-8054-21
RH PUMP ASSEMBLY

PARTS SECTION: TANKS & BATTERY

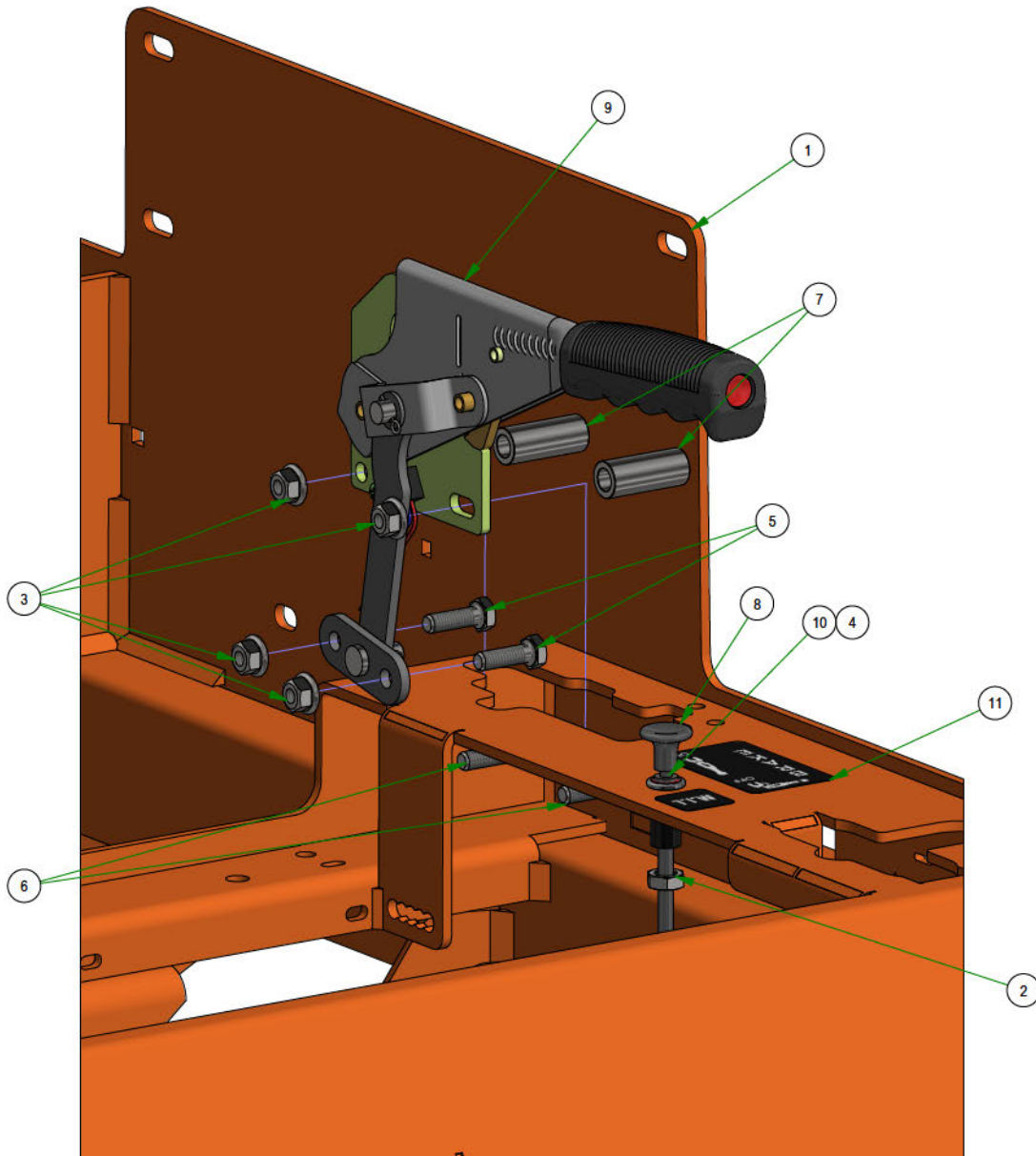


PARTS SECTION: TANKS & BATTERY

| Parts List | | | | Parts List | | | |
|------------|-----|-------------|-----------------------------------------------------------|------------|----------|-------------|---------------------------------------------------|
| ITEM | QTY | PART NUMBER | DESCRIPTION | ITEM | QTY | PART NUMBER | DESCRIPTION |
| 1 | 8 | 019-8051-00 | 5/16 SPLIT LOCKWASHER ZINC | 23 | 1 | 067-9950-50 | 2019 Right Rebel, Rogue, Renegade Fuel Tank (GAS) |
| 2 | 1 | 064-5300-00 | 24" Red Battery Cable | 24 | 1 | 067-9960-50 | 2019 Left Rebel, Rogue, Renegade Fuel Tank (GAS) |
| 3 | 1 | 070-2305-00 | 2023 Rogue Frame - Painted | 25 | 1 | 067-9960-60 | 2025 Left Rogue Fuel Tank w/Electronic Fuel Gauge |
| 4 | 1 | 086-0005-00 | Starter Cable | 26 | 1 | 068-8049-00 | SP-35 Battery |
| 5 | 8 | 018-2007-00 | 5/16-18 X 1 HEX CAP SCREW (GR.5) ZINC | 27 | 2 | 072-8076-00 | 2 EAR CLAMP 12.5mm-15mm |
| 6 | 3 | 013-9001-00 | 1/4-20 HEX SERRATED FLANGE NUT HARD/ZINC | 28 | 1 | 077-9001-00 | 2019 Deck Height Dial |
| 7 | 1 | 091-0516-00 | Rogue back Plate & Front Decal | 29 | 1 | 079-3290-00 | 2019 Outlaw Fuel Tank Insert - Right |
| 8 | 8 | 019-8044-00 | 5/16 USS FLAT WASHER (7/8 OD) ZINC | 30 | 1 | 079-3291-00 | 2019 Outlaw Fuel Tank Insert - Left |
| 9 | 2 | 013-8051-00 | 1/4-20 WING NUT FORGED (TYPE A) LIGHT SERIES ZINC | 31 | 1 | 079-3481-10 | Rebel/Rogue EFI Control Panel Assy |
| 10 | 4 | 018-2010-00 | 10-32 X 3/8 BUTTON SOCKET CAP SCREW 18-8 STAINLESS STEEL | 32 | 1 | 079-3481-19 | Rebel/Rogue Control Panel Assy |
| 11 | 9 | 018-2012-00 | 1/4-20 X 1/2 BUTTON SOCKET CAP SCREW 18-8 STAINLESS STEEL | 33 | 1 | 079-3581-22 | Rebel/Rogue Control Panel Assy-Drive by Wire |
| 12 | 2 | 018-8050-00 | 1/4-20 X 8 CARRIAGE BOLT (MIN 6" THREAD) ZINC | 34 | 1 | 079-3581-25 | Rogue Control Panel Assy-Digital Display |
| 13 | 2 | 018-8052-00 | 1/4-20 X 3/4 HEX CAP SCREW (GR.5) ZINC | 35 | 1 | 085-5050-00 | Unleaded Gasoline |
| 14 | 1 | 026-0312-00 | 2023 Rogue Battery Hold Down Plate | 36 | 1 | 086-0076-00 | 2025 Wiring Harness-Rogue Digital Display |
| 15 | 3 | 030-7044-00 | 5/16-18 X 1/2 HWH unslot (F) tcs zinc | 37 | 1 | 086-2050-19 | 2019 Wiring Harness-Rebel/Rogue |
| 16 | 1 | 039-0206-00 | Rogue Fuel Gauge wire Bracket-Orange | 38 | 1 | 091-6022-00 | R-Series Shut Off Valve Decal |
| 17 | 1 | 042-9000-00 | Ignition Key | 39 | 0.500 ft | 216-1000-00 | 16 AWG Black Insulated Wire for Tachometer |
| 18 | 1 | 043-8931-00 | 2023 Battery Tray Only | 40 | 1 | 216-1002-00 | 2023 REBEL/ROGUE Tach Ground Wire Assy |
| 19 | 1 | 051-2019-29 | 2023 R-Series Fuel Line for Kohler | 41 | 1 | 216-1051-00 | 1/4" Female Quick Connect Terminal 16-14 AWG |
| 20 | 1 | 051-2019-33 | 2023 Rebel Rogue Renegade Fuel Line for Kawasaki | 42 | 1 | 051-2019-15 | 2024 Rogue Vanguard Fuel Line Assembly 15" |
| 21 | 1 | 055-8021-75 | Outlaw Throttle Cable | 43 | 1 | 079-3581-23 | 2023 Rebel/Rogue Control Panel Assy-Drive by Wire |
| 22 | 1 | 055-8022-00 | Throttle Cable for 36Hp Vanguard & FX1000 Kawasaki | 44 | 1 | 216-1003-00 | 16 Gauge 72" Tach Wire Assembly |

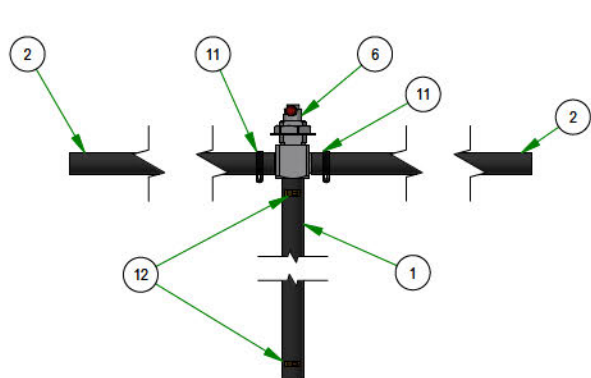
PARTS SECTION: BRAKE MOUNTING

| Parts List | | | | Parts List | | | |
|------------|-----|-------------|-------------------------------------------|------------|-----|-------------|---------------------------------------------------------------------|
| ITEM | QTY | PART NUMBER | DESCRIPTION | ITEM | QTY | PART NUMBER | DESCRIPTION |
| 1 | 1 | 070-2305-00 | 2023 Rogue Frame - Painted | 7 | 2 | 025-0027-00 | .380 ID X .625 OD X 1.500 LGTH 2019 OUTLAW BRAKE HANDLE SPACER ZINC |
| 2 | 1 | 013-6051-00 | 3/8-24 HEX NUT ZINC YELLOW | 8 | 1 | 054-8019-00 | Choke for 36hp Vanguard & FX1000 Kawasaki |
| 3 | 4 | 013-8049-00 | 5/16-18 NYLON INSERT FLANGE LOCKNUT ZINC | 9 | 1 | 069-0001-00 | 2019 Brake Handle Assembly |
| 4 | 1 | 014-2000-00 | Black Plug - 5/8" Head | 10 | 1 | 089-2000-00 | Code Indicator Light |
| 5 | 2 | 018-2007-00 | 5/16-18 X 1 HEX CAP SCREW (GR.5) ZINC | 11 | 1 | 091-1101-18 | 2018 Out/XP/Diesel Brake Decal |
| 6 | 2 | 018-5344-00 | 5/16-18 X 2-1/2 HEX CAP SCREW (GR.5) ZINC | | | | |

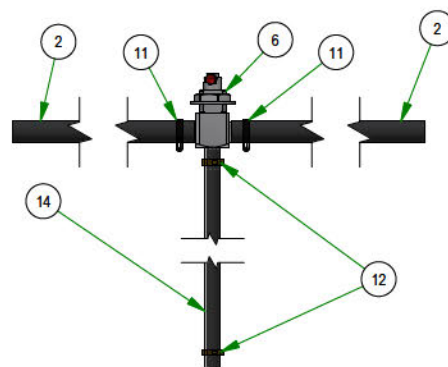


PARTS SECTION: TANKS & FUEL LINE SUBASSEMBLIES

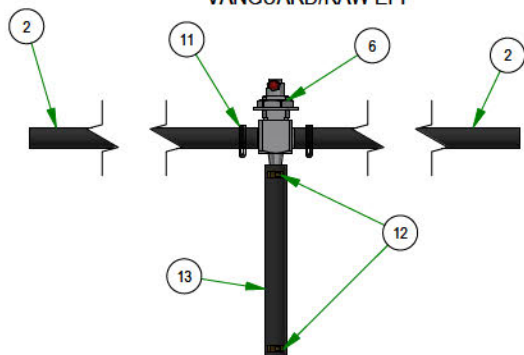
| Parts List | | | | Parts List | | | |
|------------|----------|-------------|---------------------------------------------|------------|-----|-------------|-----------------------|
| ITEM | QTY | PART NUMBER | DESCRIPTION | ITEM | QTY | PART NUMBER | DESCRIPTION |
| 1 | 3.083 ft | 051-8067-00 | 1/4 Fuel Line | 8 | 3 | 067-9901-00 | Fuel Pick-up |
| 2 | 8 | 051-8075-26 | 5/16" fuel line hose | 9 | 3 | 067-9904-00 | Fuel Cap |
| 3 | 1 | 067-4080-00 | Fuel Gauge with Grommet | 10 | 1 | 067-9999-00 | Electronic Fuel Gauge |
| 4 | 3 | 067-6054-00 | Roll Over Valve Grommet | 11 | 8 | 072-8068-00 | 5/16 Fuel Line Clamp |
| 5 | 2 | 067-6056-00 | Fuel Gauge Grommet | 12 | 8 | 072-8069-00 | 1/4 Fuel Hose Clamp |
| 6 | 4 | 067-6058-00 | 3 Way Fuel Shut-Off Valve 5/16 x 5/16 x 1/4 | 13 | 1 | 051-2015-04 | 4" 1/4 Fuel Line |
| 7 | 3 | 067-6070-00 | Rollover Valve W/ Grommet | 14 | 1 | 051-8067-32 | 1/4" Fuel Line Hose |



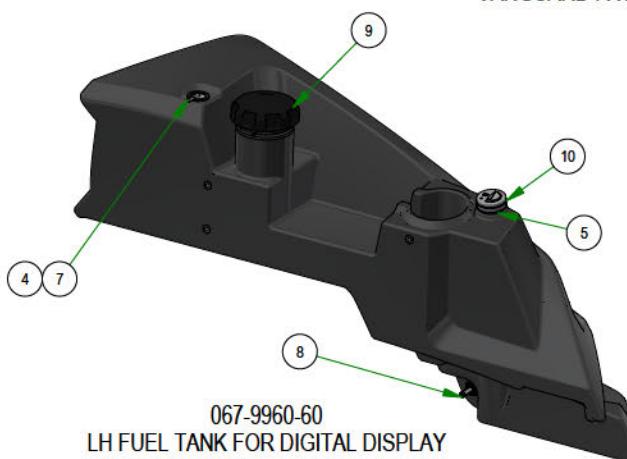
051-2019-15
FUEL LINE ASSEMBLY
VANGUARD/KAW EFI



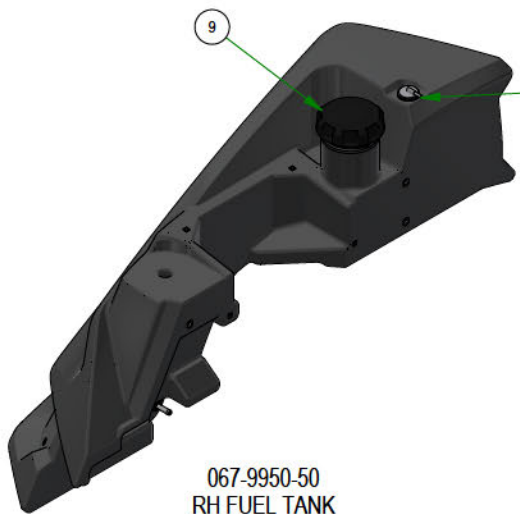
051-2019-33
FUEL LINE ASSEMBLY KOHLER
VANGUARD FX1000 EFI



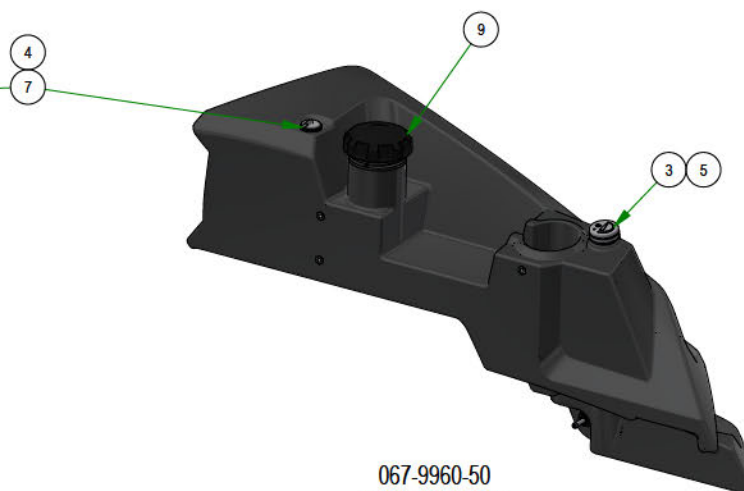
051-2019-50
FUEL LINE ASSEMBLY KOHLER EFI



067-9960-60
LH FUEL TANK FOR DIGITAL DISPLAY



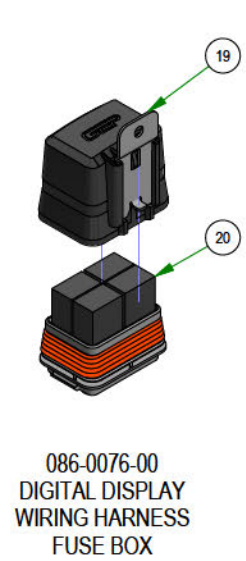
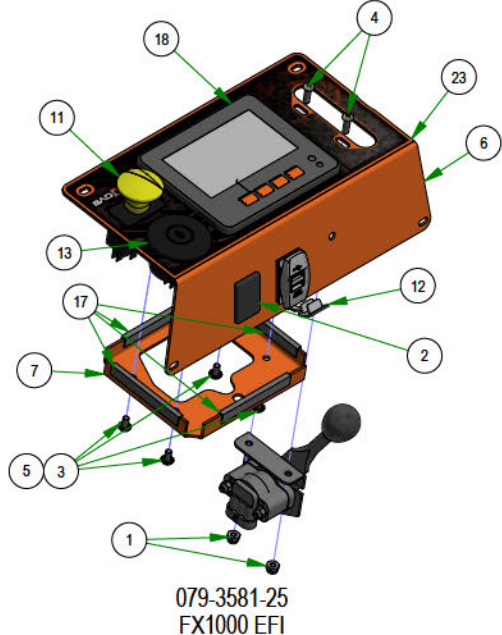
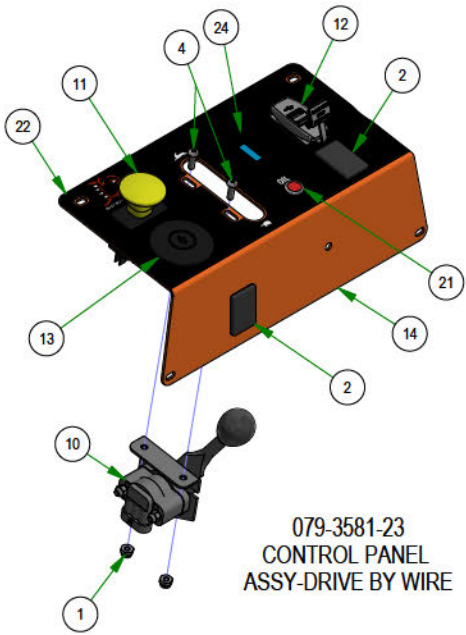
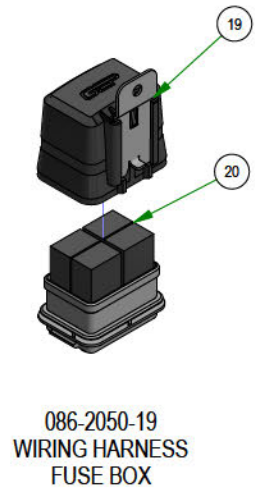
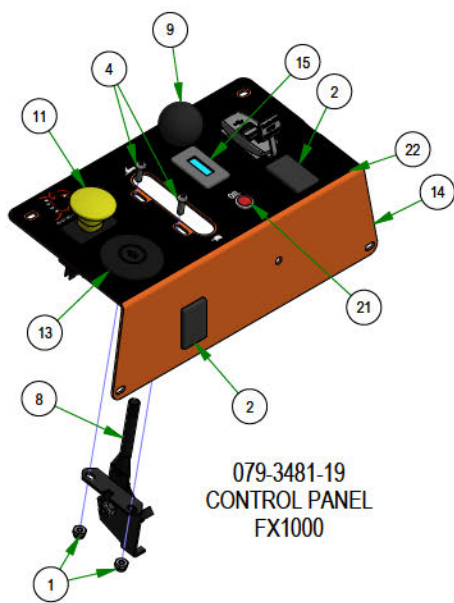
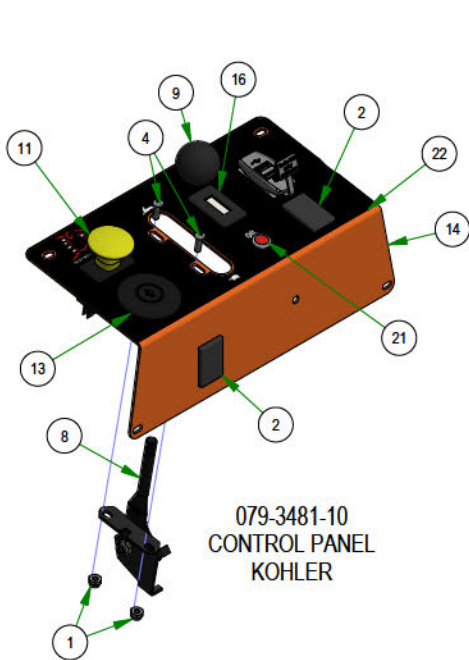
067-9950-50
RH FUEL TANK



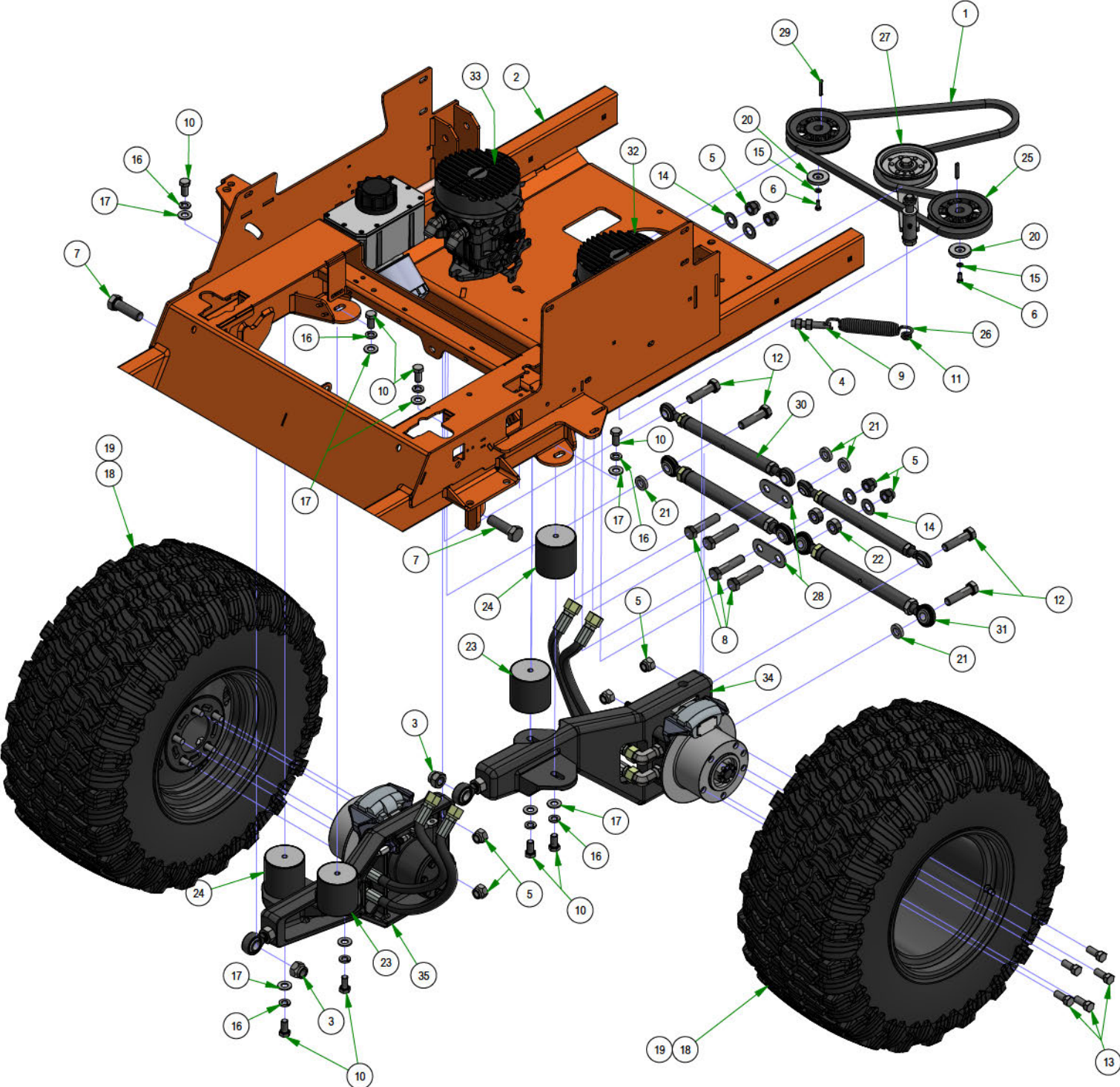
067-9960-50
LH FUEL TANK

PARTS SECTION: CONTROL PANEL AND HARNESS SUBASSEMBLIES

| Parts List | | | | Parts List | | | |
|------------|-----|-------------|----------------------------------------------------------|------------|---------|-------------|------------------------------------------------|
| ITEM | QTY | PART NUMBER | DESCRIPTION | ITEM | QTY | PART NUMBER | DESCRIPTION |
| 1 | 10 | 013-5019-00 | 10-24 NYLON INSERT LOCKNUT ZINC | 13 | 5 | 077-8076-00 | Ignition Switch |
| 2 | 9 | 018-1040-00 | Light Plug | 14 | 4 | 079-3483-00 | 2022 Rebel Control Panel - Raw |
| 3 | 4 | 018-2010-00 | 10-32 X 3/8 BUTTON SOCKET CAP SCREW 18-8 STAINLESS STEEL | 15 | 1 | 083-4013-00 | Tachometer |
| 4 | 10 | 018-5200-00 | 10-24 X 5/8 BUTTON SOCKET CAP SCREW 18-8 STAINLESS STEEL | 16 | 2 | 083-4050-00 | Tachometer |
| 5 | 4 | 019-0017-00 | 18-8 Stainless Steel External-Tooth Lock Washer | 17 | 12.0 in | 084-4016-00 | SBR Rubber Trim |
| 6 | 1 | 026-0431-00 | Digital Display Control Panel | 18 | 1 | 086-0018-00 | 2025 Display Screen |
| 7 | 1 | 026-0432-00 | Digital Display Control Panel Backer | 19 | 2 | 086-1202-01 | Relay Block Cover Replacement Kit |
| 8 | 2 | 055-2012-00 | Universal Throttle Head - 2012 | 20 | 8 | 086-1202-19 | Relay |
| 9 | 2 | 055-2013-00 | Throttle Knob | 21 | 4 | 089-1000-00 | Oil Light |
| 10 | 3 | 055-3001-00 | Kawasaki \ Kohler Drive By Wire | 22 | 4 | 091-4009-22 | 2022 Rebel/Rogue Control Panel Decal |
| 11 | 5 | 056-8058-00 | PTO Engager | 23 | 1 | 091-4044-00 | 2025 Rogue Digital Display Control Panel Decal |
| 12 | 5 | 077-2076-00 | USB Port | 24 | 1 | 083-4015-00 | Hour Meter EFIEVO |



PARTS SECTION: REAR SUSPENSION

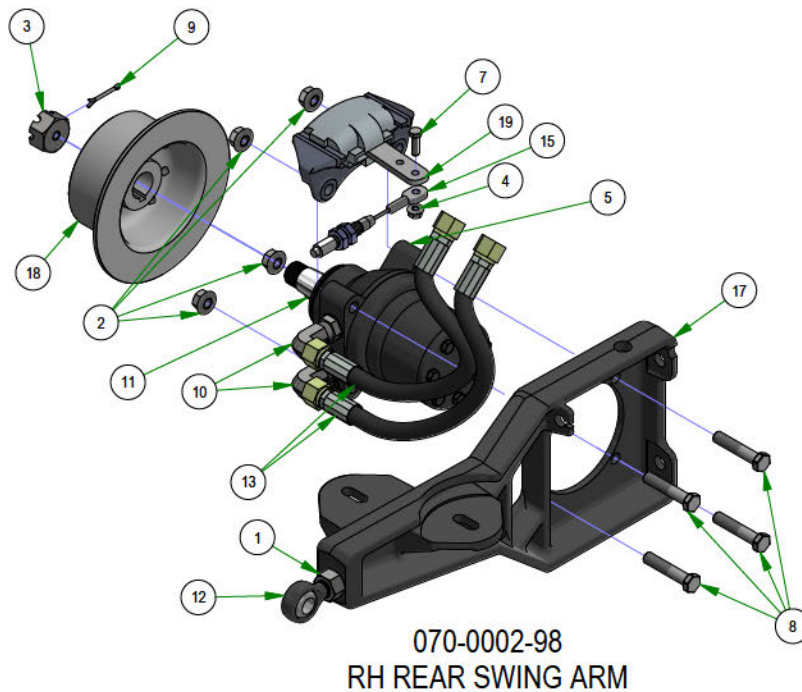
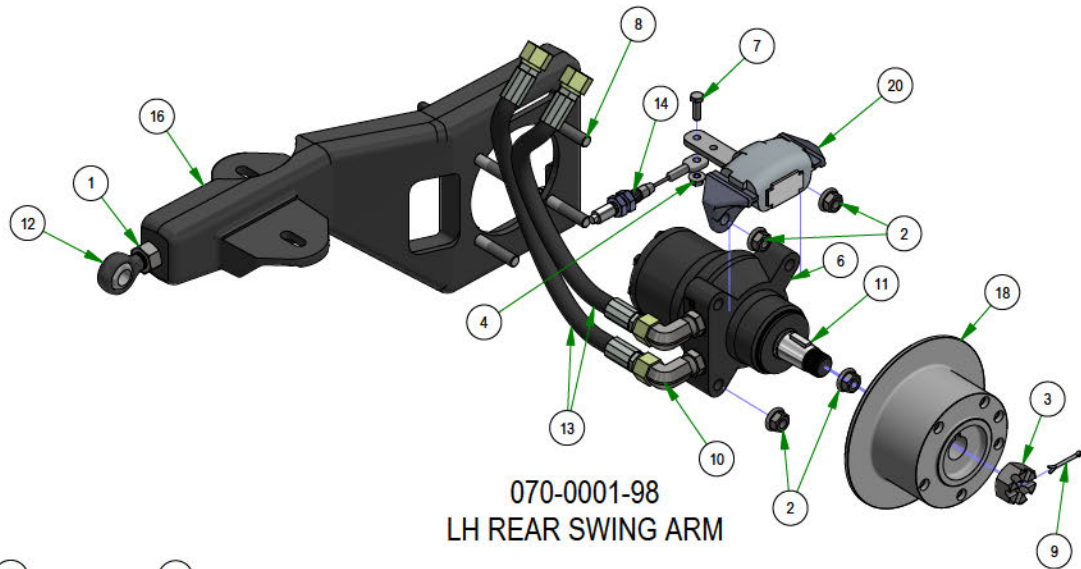


PARTS SECTION: REAR SUSPENSION

| Parts List | | | | Parts List | | | |
|------------|-----|-------------|---------------------------------------------------|------------|-----|-------------|------------------------------------------------|
| ITEM | QTY | PART NUMBER | DESCRIPTION | ITEM | QTY | PART NUMBER | DESCRIPTION |
| 1 | 1 | 041-8051-00 | 2019 Rogue Pump Belt 68" | 19 | 2 | 022-4091-00 | 2019 Assy-26x12-12 Reaper Turf-8.5" Rim |
| 2 | 1 | 070-2305-00 | 2023 Rogue Frame - Painted | 20 | 2 | 025-0034-00 | Rogue Pump washer |
| 3 | 2 | 013-0023-00 | 3/4-10 NYLON INSERT LOCKNUT ZINC | 21 | 4 | 025-0071-00 | Spacer 1.125OD x .625 ID x .250 Length |
| 4 | 2 | 013-7018-00 | 1/2-13 HEX NUT ZINC | 22 | 2 | 025-7020-00 | 5/8 SOLID SHAFT COLLAR (W/1 SET SCREW) ZINC |
| 5 | 8 | 013-7021-00 | 5/8-11 NYLON INSERT LOCKNUT ZINC | 23 | 2 | 032-8999-00 | Vibration Mount-Blue Dot |
| 6 | 2 | 018-0024-00 | M6-1.0 X 16MM DIN 933 HEX TAP BOLT (CL 8.8) ZINC | 24 | 2 | 032-9000-00 | Vibration Mount-Green Dot |
| 7 | 2 | 018-0045-00 | 3/4-10 X 2-1/2 HEX CAP SCREW (GR.5) ZINC | 25 | 2 | 033-5011-00 | 5" PUMP PULLEY W/ SET SCREW |
| 8 | 4 | 018-0049-00 | 5/8-11 X 2-3/4 HEX CAP SCREW (GR.5) ZINC | 26 | 1 | 034-2020-00 | Deck Idler Spring |
| 9 | 1 | 018-2004-50 | All Thread | 27 | 1 | 039-0031-19 | 2019 Rogue Pump Idler Assy |
| 10 | 8 | 018-2030-00 | 1/2-13 X 1 HEX CAP SCREW (GR.5) ZINC | 28 | 2 | 039-2145-00 | 2019 Suspension Gusset Outlaw |
| 11 | 1 | 018-4010-00 | 1/2-13 NYLON INSERT JAM LOCKNUT ZINC | 29 | 2 | 042-5013-00 | 5MM X 36MM SQ MACHINERY KEY C1018 ROUNDED ENDS |
| 12 | 4 | 018-6059-00 | 5/8-11 X 2-1/2 HEX CAP SCREW (GR.5) ZINC | 30 | 2 | 048-6061-00 | 2019 Suspension Radius Rod Assembly |
| 13 | 10 | 018-7033-00 | 1/2-20 x 60" Lug Bolts Zinc Grade 5 | 31 | 2 | 048-6064-00 | 2019 Suspension Radius Rod Assembly |
| 14 | 4 | 019-0009-00 | 5/8" Flat Washer SAE Spec Grade 8 | 32 | 1 | 067-8053-21 | 2021 LH ROGUE HYDRO TANK LINE ASSY |
| 15 | 2 | 019-4008-00 | 1/4 SPLIT LOCKWASHER ZINC | 33 | 1 | 067-8054-21 | 2021 RH ROGUE HYDRO TANK LINE ASSY |
| 16 | 8 | 019-5007-00 | 1/2 SPLIT LOCKWASHER (GR.8) ZINCYELLOW | 34 | 1 | 070-0001-98 | 2019 Rouge Trailing Arm LH Assy |
| 17 | 8 | 019-5702-00 | 1/2 SAE FLAT WASHER (1-1/16" OD) GR.8 ZINC YELLOW | 35 | 1 | 070-0002-98 | 2019 Rogue Trailing Arm RH Assy |
| 18 | 2 | 022-4090-00 | 2019 Assy-26x12-12 Reaper Turf -10.5" Rim | | | | |

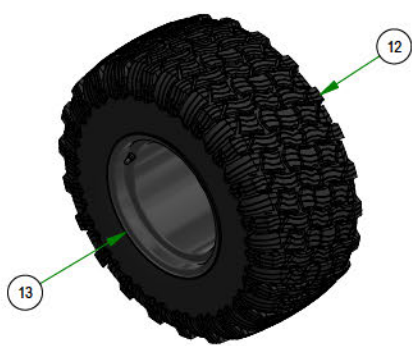
PARTS SECTION: REAR SWING ARMS

| Parts List | | | | Parts List | | | |
|------------|-----|-------------|-------------------------------------------------------|------------|-----|-------------|------------------------------------------|
| ITEM | QTY | PART NUMBER | DESCRIPTION | ITEM | QTY | PART NUMBER | DESCRIPTION |
| 1 | 2 | 013-0022-00 | 3/4"-16 Fine Full Nut | 11 | 2 | 042-7041-00 | Woodruff Key |
| 2 | 8 | 013-6040-00 | 1/2-13 HEX FLANGE CENTER LOCKNUT (GR.8) ZINC YELLOW | 12 | 2 | 048-7001-00 | 3/4-16 RH Male Rod End |
| 3 | 2 | 013-7050-00 | 1" Castle Nut for HydroGear Wheel Motor | 13 | 4 | 051-6006-00 | 20" Hydraulic Hose |
| 4 | 2 | 013-8049-00 | 5/16-18 NYLON INSERT FLANGE LOCKNUT ZINC | 14 | 1 | 064-8054-00 | 2019 Short Brake Cable-Suspension Models |
| 5 | 1 | 015-4600-00 | 18cc Parker Wheel Motor- Right | 15 | 1 | 064-9002-00 | 2019 Long Brake Cable-Renegade, Rogue |
| 6 | 1 | 015-4601-00 | 18cc Parker Wheel Motor- Left | 16 | 1 | 070-0001-00 | 2019 Left Trailing Arm |
| 7 | 2 | 018-2007-00 | 5/16-18 X 1 HEX CAP SCREW (GR.5) ZINC | 17 | 1 | 070-0002-00 | 2019 Right Trailing Arm |
| 8 | 8 | 018-6041-00 | 1/2-13 x 2.75 Gr. 8 Hex Head Bolt | 18 | 2 | 092-5201-00 | Brake Disk |
| 9 | 2 | 020-7022-00 | 1/8 X 1-1/2 COTTER PIN ZINC | 19 | 1 | 092-7000-00 | XP/AOS Right Brake Caliper |
| 10 | 4 | 024-2065-00 | 2019 Rouge/Renegade Wheel Motor 90° Fitting #6801-10L | 20 | 1 | 092-7001-00 | XP/AOS Left Brake Caliper |



PARTS SECTION: REAR SUSPENSION SUBASSEMBLIES

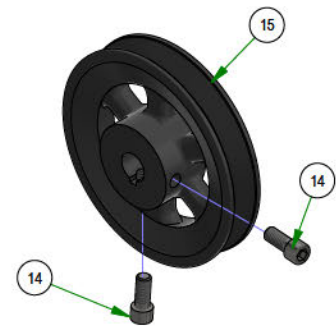
| Parts List | | | | Parts List | | | |
|------------|-----|-------------|---------------------------------------------------|------------|-----|-------------|------------------------------------------|
| ITEM | QTY | PART NUMBER | DESCRIPTION | ITEM | QTY | PART NUMBER | DESCRIPTION |
| 1 | 1 | 013-0019-00 | 5/8-11 HEX JAM NUT ZINC | 13 | 1 | 022-4086-00 | 2019 10.5" Wheel |
| 2 | 1 | 013-0020-00 | NUT, 5/8-18LH | 14 | 2 | 030-0002-00 | 5/16-18 x 3/4 Rogue Pump Pulley Screw |
| 3 | 1 | 013-0027-00 | 3/4-16 HEX JAM NUT ZINC | 15 | 1 | 033-5011-00 | 5" Pump Pulley |
| 4 | 1 | 013-0028-00 | 3/4-16 LH HEX JAM NUT ZINC | 16 | 1 | 033-6001-00 | 4 3/4" Idler Pulley |
| 5 | 1 | 013-5301-00 | 5/8-11 NYLON INSERT JAM LOCKNUT ZINC | 17 | 1 | 039-0031-00 | 2019 Vertical Suspension Drive Tensioner |
| 6 | 1 | 018-0015-00 | 1/2-13 X 2-1/2 HEX CAP SCREW GR 5 ZINC | 18 | 1 | 048-0001-00 | 2019 Suspension Link Body |
| 7 | 1 | 018-4010-00 | 1/2-13 NYLON INSERT JAM LOCKNUT ZINC | 19 | 1 | 048-0002-00 | Rear Radius Rod, 3/4 Body |
| 8 | 1 | 018-5311-00 | 5/8-11 X 4 HEX CAP SCREW (GR.8) ZINC YELLOW | 20 | 1 | 048-6062-00 | 2019 RH 5/8" Heim |
| 9 | 3 | 019-5702-00 | 1/2 SAE FLAT WASHER (1-1/16" OD) GR.8 ZINC YELLOW | 21 | 1 | 048-6063-00 | 2019 LH 5/8" Heim |
| 10 | 2 | 019-6017-00 | .635 ID X 1.120 OD X .140 THICK FLAT WASHER NYLON | 22 | 1 | 048-6065-00 | 3/4-16 x 5/8 RH Heim |
| 11 | 1 | 022-4070-00 | 12x8.5 Black Wheel | 23 | 1 | 048-6066-00 | 3/4-16 x 5/8 LH Heim |
| 12 | 2 | 022-4085-00 | 2019 26x12-12 Reaper Turf Tire | | | | |



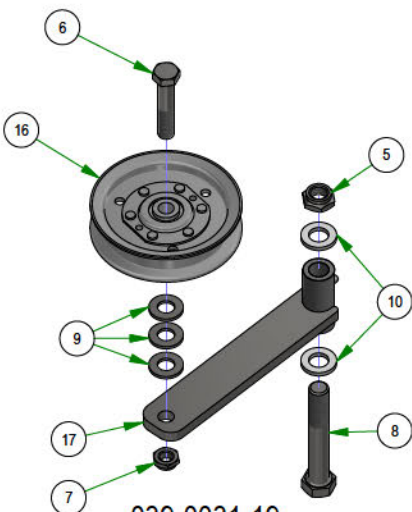
022-4090-00
REAR WHEEL ASSEMBLY
61" & 72" DECK



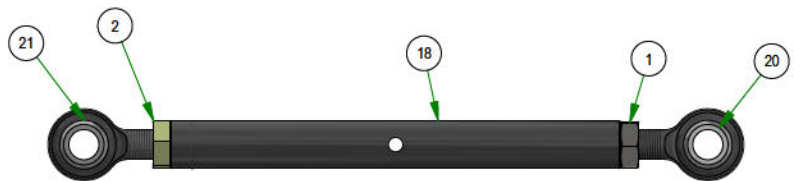
022-4091-00
REAR WHEEL ASSEMBLY
54" DECK



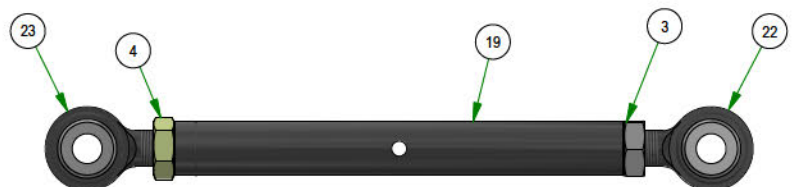
033-5011-00
PUMP PULLEY ASSEMBLY



039-0031-19
REAR IDLER PULLEY ASSEMBLY



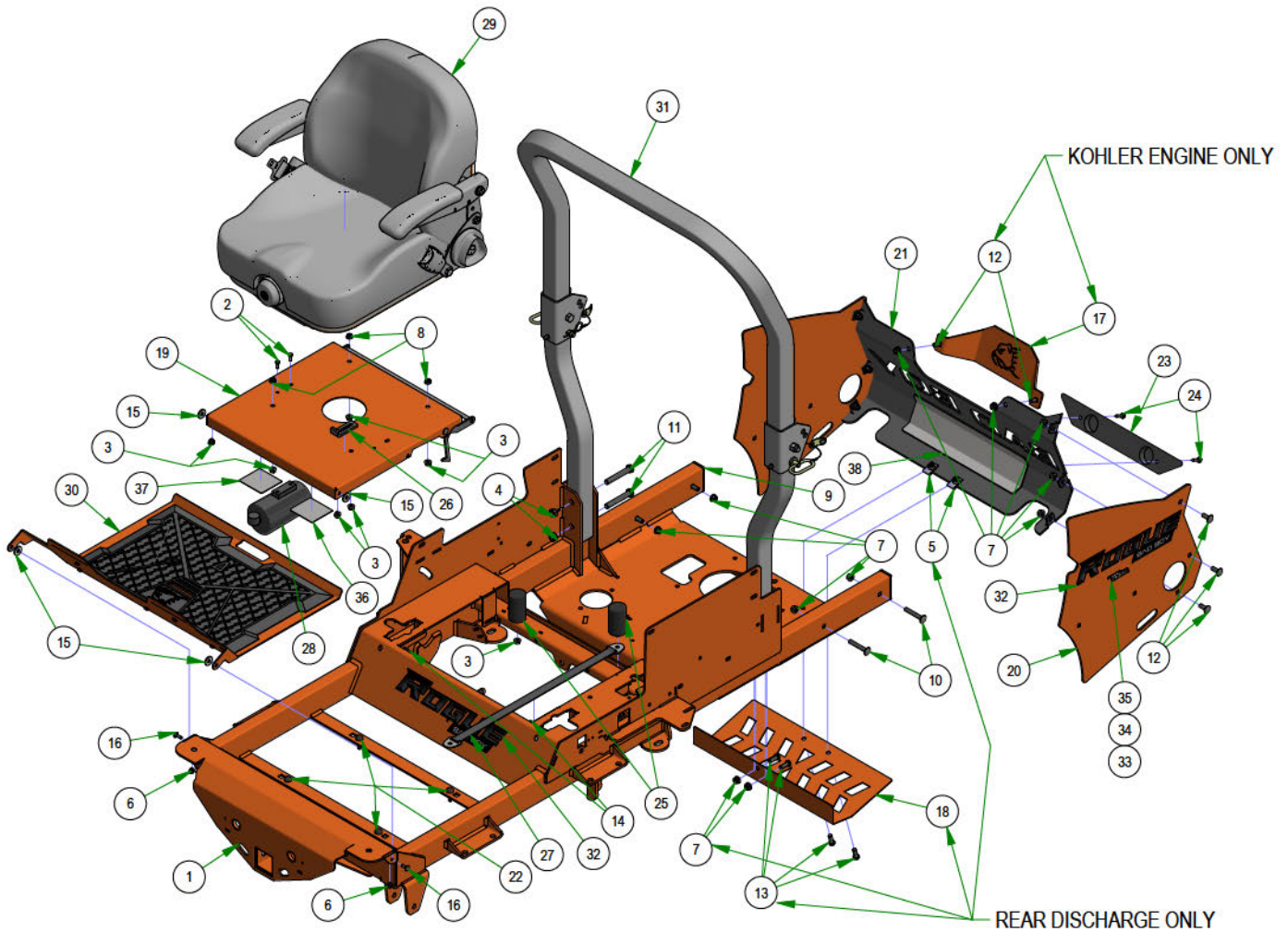
048-6061-00
UPPER RADIUS ROD



048-6064-00
LOWER RADIUS ROD

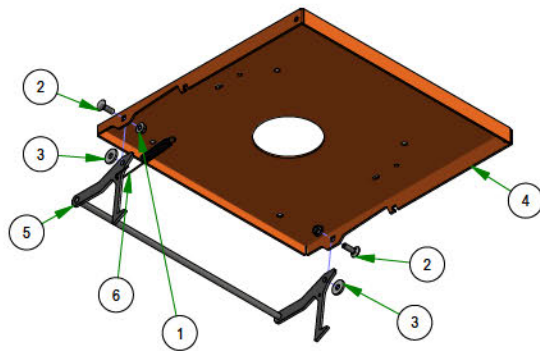
PARTS SECTION: COVERS & SEATS

| Parts List | | | | Parts List | | | |
|------------|-----|-------------|---------------------------------------------------------|------------|-----|-------------|--------------------------------------------|
| ITEM | QTY | PART NUMBER | DESCRIPTION | ITEM | QTY | PART NUMBER | DESCRIPTION |
| 1 | 1 | 070-2305-00 | 2023 Rogue Frame - Painted | 20 | 2 | 026-2209-00 | 2019 Rogue Rear Cover Side Plate |
| 2 | 2 | 018-0024-00 | M6-1.0 X 16MM DIN 933 HEX TAP BOLT (CL 8.8) ZINC | 21 | 1 | 026-2221-22 | 2019 Vertical Rear Cover Tailgate - Black |
| 3 | 8 | 013-8049-00 | 5/16-18 NYLON INSERT FLANGE LOCKNUT_ZINC | 22 | 4 | 029-4011-00 | 2023 Floor Board Rubber Bumper |
| 4 | 4 | 013-0005-00 | 1/2-13 HEX 2-WAY REVERSIBLE CENTER LOCKNUT Grade B ZINC | 23 | 1 | 029-8000-00 | 2017 XP Bumper |
| 5 | 2 | 013-0021-00 | Extruded Nut 3/8"-16 3/4" Hole Center With Patch | 24 | 2 | 030-7047-00 | 1/4-14 X 1-1/4 HEX WASHER UNSLOT TEK3 ZINC |
| 6 | 2 | 013-2050-00 | 1/4-20 NYL INSERT FLANGE LOCKNUT_ZINC | 25 | 2 | 032-0001-00 | 2019 Bad Boy X Cylindrical Seat Mount |
| 7 | 14 | 013-5202-00 | 3/8-16 NYLON INSERT FLANGE LOCKNUT (GR.F) ZINC | 26 | 1 | 039-2156-00 | Seat Stop |
| 8 | 3 | 013-9002-00 | 5/16-18 HEX SERRATED FLANGE NUT HARD/ZINC | 27 | 1 | 064-8083-00 | Seat Strap with Buckles |
| 9 | 2 | 014-9003-00 | 1 1/2 x 3 Frame Plug | 28 | 1 | 067-0020-19 | 2019 Outlaw EPA Cannister Assembly |
| 10 | 4 | 018-0044-00 | 3/8-16 X 2-1/2 CARRIAGE BOLT ZINC | 29 | 1 | 071-6065-25 | 2025 Seats Inc Suspension |
| 11 | 4 | 018-0050-00 | 1/2-13 X 3-1/4 HEX CAP SCREW (GR.5) ZINC | 30 | 1 | 079-3155-24 | 2024 R-Series Floorboard Assembly |
| 12 | 8 | 018-5044-00 | 3/8-16 X 1 CARRIAGE BOLT (GR.5) ZINC | 31 | 1 | 089-0006-00 | 2019 2X2 Folding ROPS |
| 13 | 4 | 018-6049-00 | 3/8-16 X 1 GR 5 Hex Bolts Zinc | 32 | 3 | 091-0516-00 | Rogue back Plate & Front Decal |
| 14 | 2 | 018-8065-00 | 5/16-18 X 1 CARRIAGE BOLT (GR.8) ZINC | 33 | 2 | 091-4002-22 | 2022 Powered By Vanguard Decal |
| 15 | 4 | 019-6042-00 | .360 ID X .983 OD X .120 THICK FLAT WASHER NYLON | 34 | 2 | 091-4003-22 | 2022 Powered By Kawasaki Decal |
| 16 | 2 | 019-8040-00 | 1/4-20 X 3/4 CARRIAGE BOLT (GR.5) ZINC | 35 | 2 | 091-4004-22 | 2022 Powered By Kohler Decal |
| 17 | 1 | 026-0308-00 | Kohler 980 Engine Shield | 36 | 1 | 091-4038-00 | Control Adj. Control Rod Decal |
| 18 | 1 | 026-0337-00 | Muffler Shield - Rear Discharge | 37 | 1 | 091-4039-00 | Control Adj. Control Dampener Decal |
| 19 | 1 | 026-2019-21 | R-SERIES SEAT PLATE ASSEMBLY | 38 | 1 | 091-4050-00 | Heat Shield (Fiberglass Adhesive) |

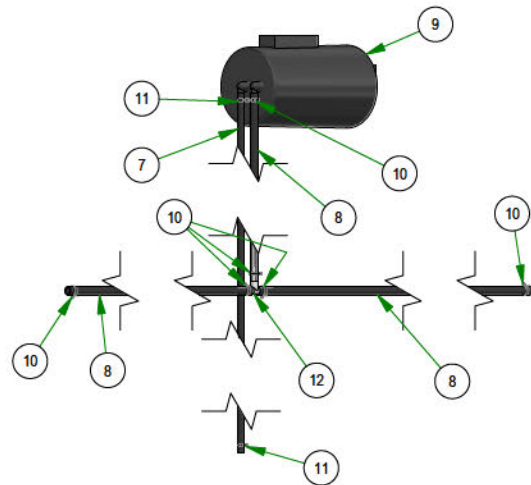


PARTS SECTION: COVERS & SEAT SUBASSEMBLIES

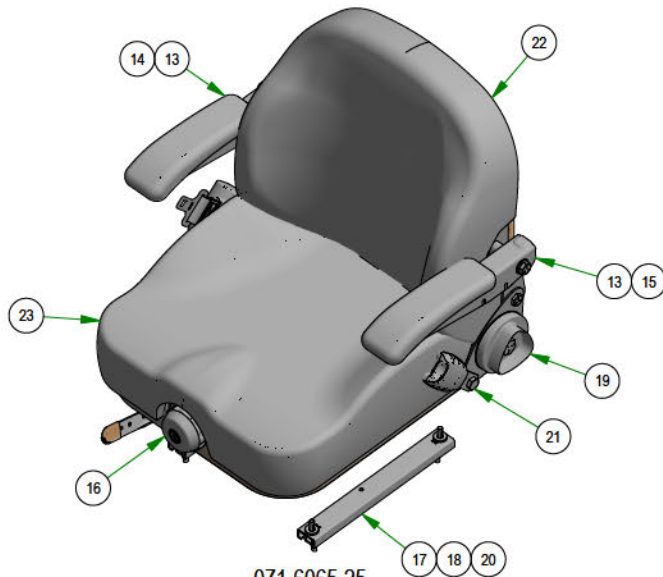
| Parts List | | | | Parts List | | | |
|------------|-----|-------------|--------------------------------------------------|------------|-----|-------------|-------------------------------------|
| ITEM | QTY | PART NUMBER | DESCRIPTION | ITEM | QTY | PART NUMBER | DESCRIPTION |
| 1 | 2 | 013-8049-00 | 5/16-18 NYLON INSERT FLANGE LOCKNUT ZINC | 14 | 1 | 071-6065-11 | RH Armrest-Selfskin Front Adj |
| 2 | 2 | 018-8065-00 | 5/16-18 X 1 CARRIAGE BOLT (GR.8) ZINC | 15 | 1 | 071-6065-12 | LH Armrest-Selfskin Front Adj |
| 3 | 2 | 019-6042-00 | .360 ID X .983 OD X .120 THICK FLAT WASHER NYLON | 16 | 1 | 071-6065-05 | Weight Adjust Indicator Knob Assy |
| 4 | 1 | 026-2019-00 | R-SERIES SEAT PLATE | 17 | 1 | 071-6065-06 | 4" Single Locking Track Kit |
| 5 | 1 | 028-0090-00 | Seat Latch Rod Assembly | 18 | 1 | 071-6065-07 | Seat Switch for 071-6065-00 |
| 6 | 1 | 034-1025-00 | Brake Spring | 19 | 1 | 071-6065-10 | Recliner Adjustment Knob-New |
| 7 | 1 | 051-2025-66 | 3/16" Vinyl Tubing, 66" Long | 20 | 1 | 071-6065-13 | Bellows w/Hardware |
| 8 | 3 | 051-8072-38 | 1/4" Vinyl Tubing 38" Long | 21 | 1 | 071-6065-14 | 2" Retractable Belt Kit w/Spacers |
| 9 | 1 | 067-0020-00 | Carbon Canister | 22 | 1 | 071-6065-17 | Back Cover, 2025 Suspension Seat |
| 10 | 6 | 072-8070-00 | MZ Tank Hose Clamp 1/4 Vinyl | 23 | 1 | 071-6065-18 | Cushion Cover, 2025 Suspension Seat |
| 11 | 2 | 072-8073-00 | 3/16" Vinyl Hose Clamp | 24 | 1 | 079-3156-00 | 2024 R-Series Floorboard |
| 12 | 1 | 073-8068-00 | fuel line T | 25 | 1 | 081-2024-00 | 24 R-Series Floor Safety Mat |
| 13 | 1 | 071-6065-04 | Set of Armrests-SS Front Adj | | | | |



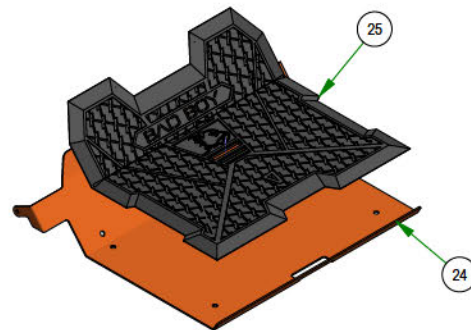
**026-2019-21
SEAT PLATE ASSEMBLY**



**067-0020-19
EPA CANISTER ASSEMBLY**



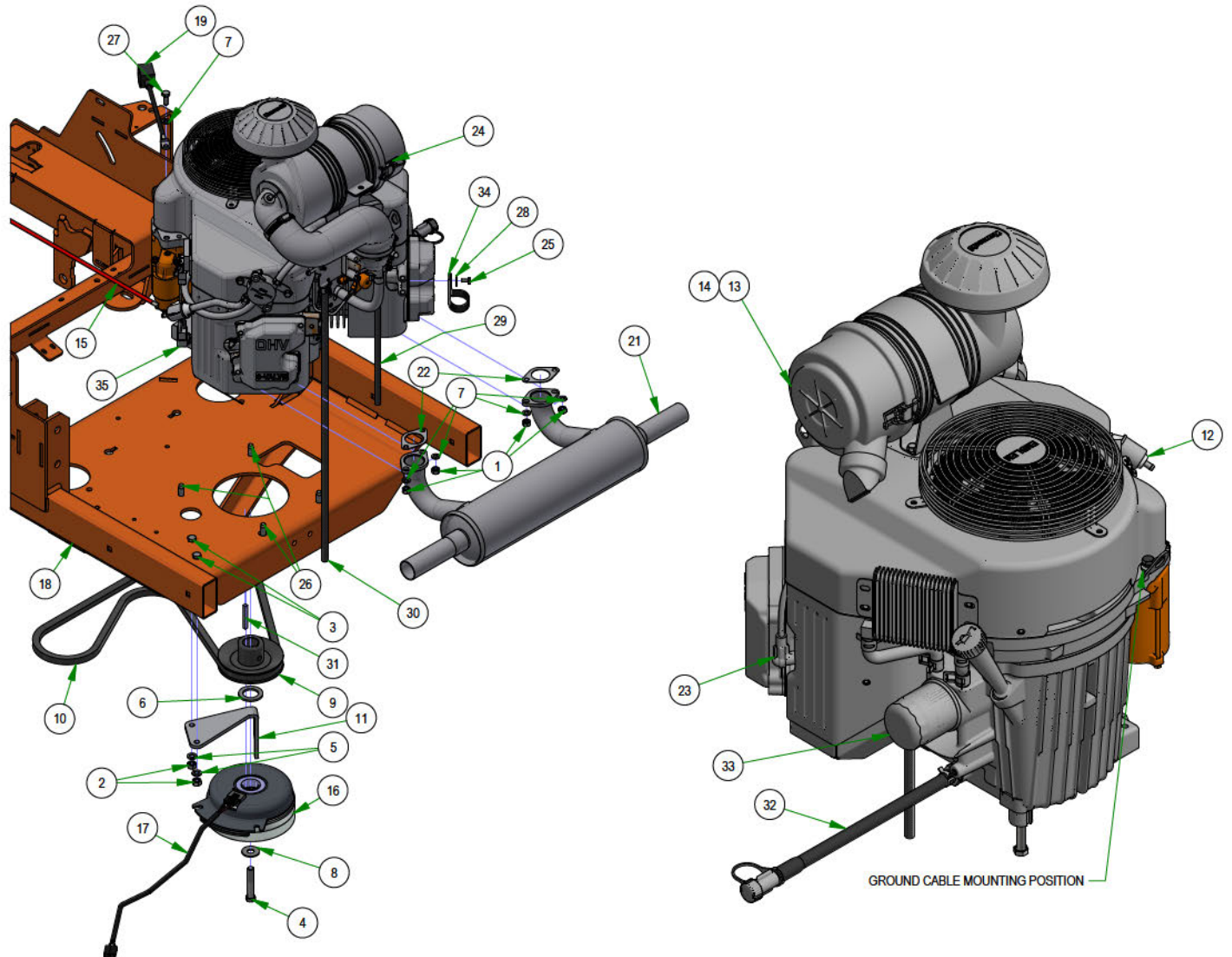
**071-6065-25
SEAT ASSEMBLY**



**079-3155-24
FLOORBOARD ASSEMBLY**

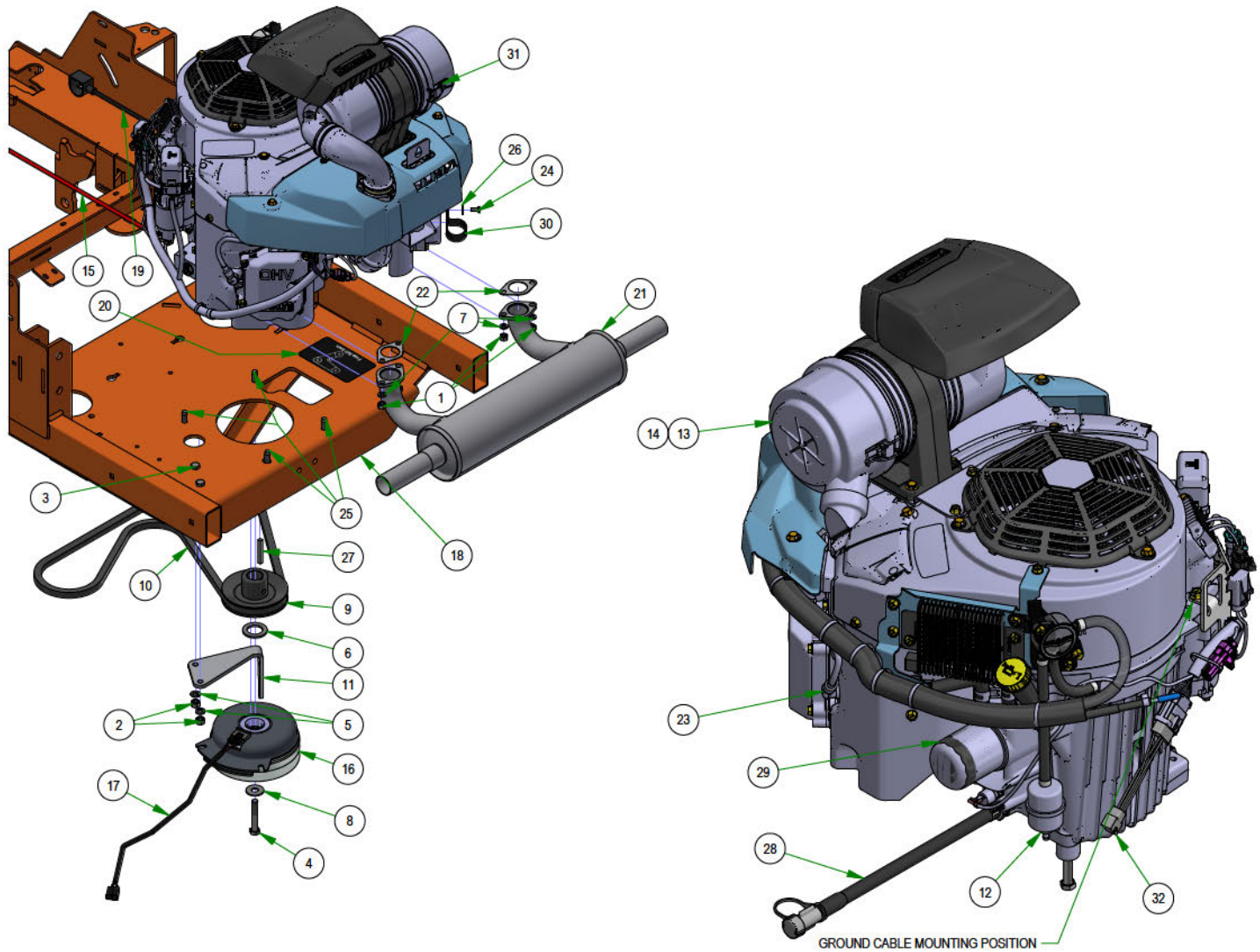
PARTS SECTION: ENGINE-KAWASAKI FX1000

| Parts List | | | | Parts List | | | |
|------------|-----|-------------|----------------------------------------------------|------------|-----|-------------|---------------------------------------------------------------------|
| ITEM | QTY | PART NUMBER | DESCRIPTION | ITEM | QTY | PART NUMBER | DESCRIPTION |
| 1 | 4 | 013-0075-00 | M8-1.25 DIN 934 HEX NUT (CL.8) ZINC | 18 | 1 | 070-2305-00 | 2023 Rogue Frame - Painted |
| 2 | 2 | 013-6014-00 | 3/8-16 HEX NUT ZINC | 19 | 1 | 086-0005-00 | Starter Cable |
| 3 | 2 | 018-5040-00 | 3/8-16 X 1-1/4 HEX CAP SCREW (GR.5) ZINC | 21 | 1 | 015-1010-00 | 2019 Rebel/Rogue Kawasaki 1000 Muffler |
| 4 | 1 | 018-5300-21 | 7/16-20 X 2.5" HEX Bolt GR.8 W/Patch | 22 | 2 | 015-1010-01 | Exhaust Gasket |
| 5 | 2 | 019-5037-00 | 3/8 SPLIT LOCKWASHER ZINC | 23 | 2 | 015-8001-00 | Spark Plug |
| 6 | 1 | 019-6029-00 | 1.140 ID X 1.750 OD X .132 THICK FLAT WASHER PLAIN | 24 | 1 | 015-9911-00 | Kawasaki FX1000 Engine |
| 7 | 5 | 019-8051-00 | 5/16 SPLIT LOCKWASHER ZINC | 25 | 1 | 018-0025-00 | M6-1.0 X 12MM DIN 933 HEX TAP BOLT (CL 8.8) ZINC |
| 8 | 1 | 019-8052-00 | 7/16 USS FLAT WASHER (1-1/4" OD) ZINC | 26 | 4 | 018-1075-00 | 3/8-16 X 1-1/8 HEX WASHER UNSLOT SERRATED (TRI-LOB) TRS ZINC YELLOW |
| 9 | 1 | 033-5035-00 | 4 3/4 Motor Pulley | 27 | 1 | 018-5321-00 | M8-1.25 X 20MM DIN 933 HEX TAP BOLT (CL 8.8) ZINC |
| 10 | 1 | 041-8051-00 | 2019 Rogue Pump Belt 68" | 28 | 1 | 019-7040-00 | 1/4 USS FLAT WASHER (3/4 OD) ZINC |
| 11 | 1 | 057-5906-00 | PTO Engager Holder | 29 | 1 | 032-6000-00 | Braided Heat Shielding, 12" |
| 12 | 1 | 063-6000-00 | Universal Inline Fuel Filter | 30 | 1 | 032-6001-00 | Braided Heat Shielding, 24" |
| 13 | 1 | 063-8019-00 | Canister Air Filter- Outer | 31 | 1 | 042-5020-00 | 1/4 X 2 SQ MACHINERY KEY 1018 STL PLAIN |
| 14 | 1 | 063-8020-00 | Canister Air Filter- Inner | 32 | 1 | 051-5404-00 | Kawasaki Oil Drain |
| 15 | 1 | 064-5300-00 | 24" Red Battery Cable | 33 | 1 | 063-8017-00 | Oil Filter |
| 16 | 1 | 070-1000-00 | Clutch | 34 | 1 | 072-5000-00 | Diesel Hydraulic Hose Clamp |
| 17 | 1 | 070-2000-00 | Clutch Pigtail | 35 | 1 | 086-9002-19 | 2019 Harness Adaptor-Gen2 FX-ALL |



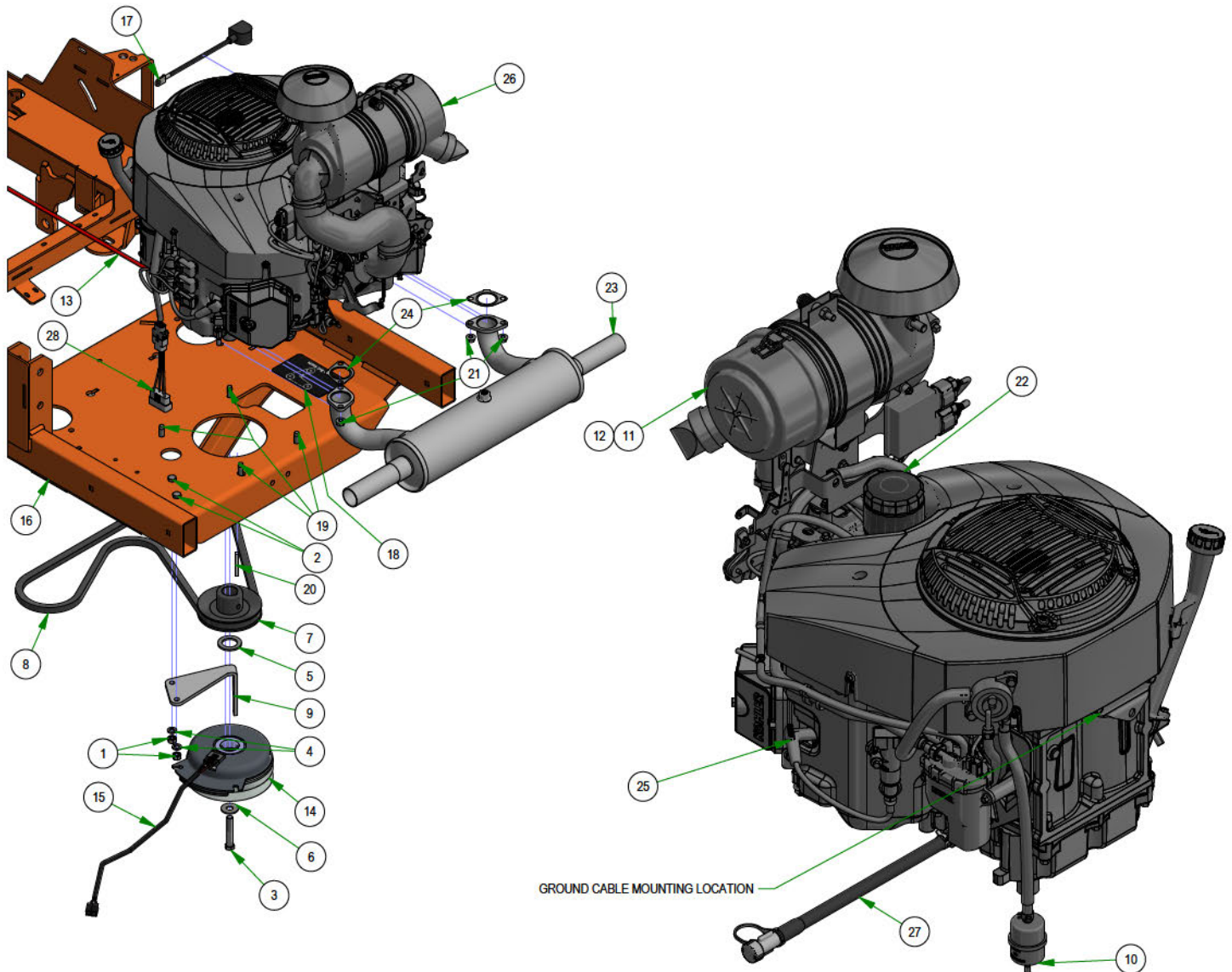
PARTS SECTION: ENGINE-KAWASAKI FX1000 EFI

| Parts List | | | | Parts List | | | |
|------------|-----|-------------|----------------------------------------------------|------------|-----|-------------|---------------------------------------------------------------------|
| ITEM | QTY | PART NUMBER | DESCRIPTION | ITEM | QTY | PART NUMBER | DESCRIPTION |
| 1 | 4 | 013-0075-00 | M8-1.25 DIN 934 HEX NUT (CL.8) ZINC | 17 | 1 | 070-2000-00 | Clutch Pigtail |
| 2 | 2 | 013-6014-00 | 3/8-16 HEX NUT ZINC | 18 | 1 | 070-2305-00 | 2023 Rogue Frame - Painted |
| 3 | 2 | 018-5040-00 | 3/8-16 X 1-1/4 HEX CAP SCREW (GR.5) ZINC | 19 | 1 | 086-0005-00 | Starter Cable |
| 4 | 1 | 018-5300-21 | 7/16-20 X 2.5" HEX Bolt GR.8 W/Patch | 20 | 1 | 091-4035-00 | 2019 Rogue Pump Belt Route Decal |
| 5 | 2 | 019-5037-00 | 3/8 SPLIT LOCKWASHER ZINC | 21 | 1 | 015-1010-00 | 2019 Rebel/Rogue Kawasaki 1000 Muffler |
| 6 | 1 | 019-6029-00 | 1.140 ID X 1.750 OD X .132 THICK FLAT WASHER PLAIN | 22 | 2 | 015-1010-01 | Exhaust Gasket |
| 7 | 4 | 019-8051-00 | 5/16 SPLIT LOCKWASHER ZINC | 23 | 2 | 015-8001-00 | Spark Plug |
| 8 | 1 | 019-8052-00 | 7/16 USS FLAT WASHER (1-1/4" OD) ZINC | 24 | 1 | 018-0025-00 | M6-1.0 X 12MM DIN 933 HEX TAP BOLT (CL 8.8) ZINC |
| 9 | 1 | 033-5035-00 | 4 3/4 Motor Pulley | 25 | 4 | 018-1075-00 | 3/8-16 X 1-1/8 HEX WASHER UNSLOT SERRATED (TRI-LOB) TRS ZINC YELLOW |
| 10 | 1 | 041-8051-00 | 2019 Rogue Pump Belt 68" | 26 | 1 | 019-7040-00 | 1/4 USS FLAT WASHER (3/4 OD) ZINC |
| 11 | 1 | 057-5906-00 | PTO Engager Holder | 27 | 1 | 042-5020-00 | 1/4 X 2 SQ MACHINERY KEY 1018 STL PLAIN |
| 12 | 1 | 063-6000-00 | Universal Inline Fuel Filter | 28 | 1 | 051-5404-00 | Kawasaki Oil Drain |
| 13 | 1 | 063-8019-00 | Canister Air Filter- Outer | 29 | 1 | 063-8017-00 | Oil Filter |
| 14 | 1 | 063-8020-00 | Canister Air Filter- Inner | 30 | 1 | 072-5000-00 | Diesel Hydraulic Hose Clamp |
| 15 | 1 | 064-5300-00 | 24" Red Battery Cable | 31 | 1 | 015-0083-00 | Kawasaki FX1000EFI 38.5HP |
| 16 | 1 | 070-1000-00 | Clutch | 32 | 1 | 086-9025-00 | Harness Adaptor for Kawasaki EFI Digital Display |



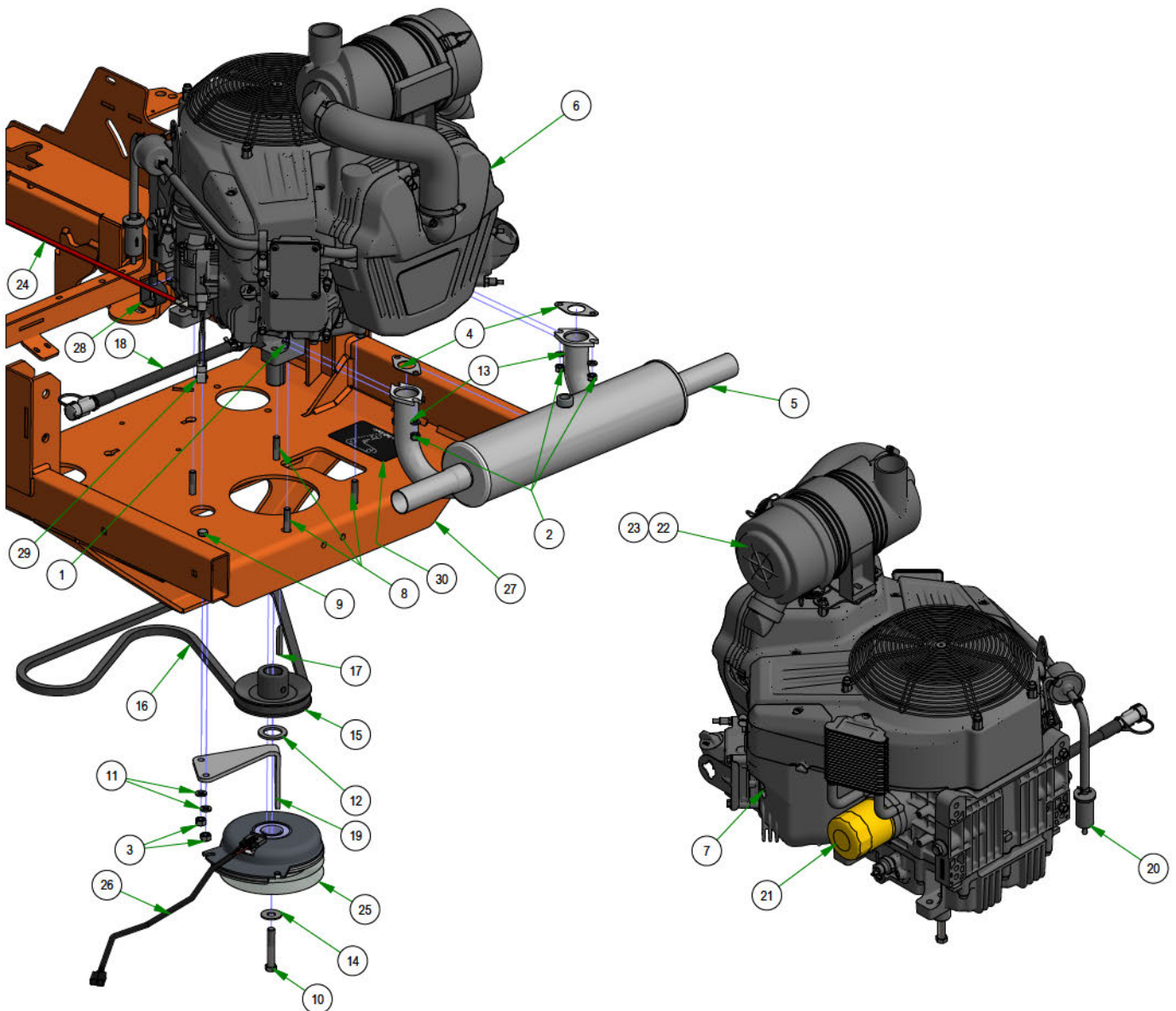
PARTS SECTION: ENGINE-KOHLER ECV980

| Parts List | | | | Parts List | | | |
|------------|-----|-------------|----------------------------------------------------|------------|-----|-------------|---------------------------------------------------------------------|
| ITEM | QTY | PART NUMBER | DESCRIPTION | ITEM | QTY | PART NUMBER | DESCRIPTION |
| 1 | 2 | 013-8014-00 | 3/8-16 HEX NUT ZINC | 15 | 1 | 070-2000-00 | Clutch Pigtail |
| 2 | 2 | 018-5040-00 | 3/8-16 X 1-1/4 HEX CAP SCREW (GR.5) ZINC | 16 | 1 | 070-2305-00 | 2023 Rogue Frame - Painted |
| 3 | 1 | 018-5300-21 | 7/16-20 X 2.5" HEX Bolt GR.8 W/Patch | 17 | 1 | 086-0005-00 | Starter Cable |
| 4 | 2 | 019-5037-00 | 3/8 SPLIT LOCKWASHER ZINC | 18 | 1 | 091-4035-00 | 2019 Rogue Pump Belt Route Decal |
| 5 | 1 | 019-6029-00 | 1.140 ID X 1.750 OD X .132 THICK FLAT WASHER PLAIN | 19 | 4 | 018-1075-00 | 3/8-16 X 1-1/8 HEX WASHER UNSLOT SERRATED (TRI-LOB) TRS ZINC YELLOW |
| 6 | 1 | 019-8052-00 | 7/16 USS FLAT WASHER (1-1/4" OD) ZINC | 20 | 1 | 042-5020-00 | 1/4 X 2 SQ MACHINERY KEY 1018 STL PLAIN |
| 7 | 1 | 033-5035-00 | 4 3/4 Motor Pulley | 21 | 4 | 013-8240-00 | M8 Nut Connects the 015-1012-00 and the 015-8240-00 |
| 8 | 1 | 041-8051-00 | 2019 Rogue Pump Belt 68" | 22 | 1 | 015-0077-04 | Kohler ECV/ECH980 OIL FILTER |
| 9 | 1 | 057-5906-00 | PTO Engager Holder | 23 | 1 | 015-1025-00 | 2022 Kohler ECV-980 EFI Exhaust |
| 10 | 1 | 063-6000-00 | Universal Inline Fuel Filter | 24 | 2 | 015-9990-01 | ECV/ECH 980 MUFFLER GASKET |
| 11 | 1 | 063-8019-00 | Canister Air Filter- Outer | 25 | 2 | 015-9990-02 | Spark Plug |
| 12 | 1 | 063-8020-00 | Canister Air Filter- Inner | 26 | 1 | 015-9991-00 | Kohler ECV980 |
| 13 | 1 | 064-5300-00 | 24" Red Battery Cable | 27 | 1 | 051-5409-00 | Kohler 980 Oil Drain |
| 14 | 1 | 070-1000-00 | Clutch | 28 | 1 | 086-9006-21 | 2019 Harness Adaptor - Yamaha/Kohler EFI |



PARTS SECTION: ENGINE-VANGUARD EFI

| Parts List | | | | Parts List | | | |
|------------|-----|-------------|----------------------------------------------------|------------|-----|-------------|-----------------------------------------------------------------|
| ITEM | QTY | PART NUMBER | DESCRIPTION | ITEM | QTY | PART NUMBER | DESCRIPTION |
| 1 | 4 | 013-0009-00 | 3/8-16 HEX FLANGE TOP LOCKNUT ZINC | 16 | 1 | 041-8051-00 | 2019 Rogue Pump Belt 68" |
| 2 | 4 | 013-0075-00 | M8-1.25 DIN 934 HEX NUT (CL.8) ZINC | 17 | 1 | 042-0012-00 | 1/4 X 2 SQ MACHINERY KEY 1018 STL PLAIN |
| 3 | 2 | 013-6014-00 | 3/8-16 HEX NUT ZINC | 18 | 1 | 051-5402-00 | 14mm Old Drain - 36hp Vanguard |
| 4 | 2 | 015-0025-00 | Exhaust Gasket for 23 Vanguard | 19 | 1 | 057-5906-00 | PTO Engager Holder |
| 5 | 1 | 015-1014-00 | Muffler for 36Hp Vanguard | 20 | 1 | 063-6000-00 | Universal Inline Fuel Filter |
| 6 | 1 | 015-4040-00 | 40HP Vertical Shaft | 21 | 1 | 063-8018-00 | Oil Filter |
| 7 | 2 | 015-8000-00 | Spark Plug | 22 | 1 | 063-8019-00 | Canister Air Filter- Outer |
| 8 | 4 | 018-0115-00 | 3/8-16x1-3/4 GR5 Hex Flange Screw Zinc Clear | 23 | 1 | 063-8020-00 | Canister Air Filter- Inner |
| 9 | 2 | 018-5040-00 | 3/8-16 X 1-1/4 HEX CAP SCREW (GR.5) ZINC | 24 | 1 | 064-5300-00 | 24" Red Battery Cable |
| 10 | 1 | 018-5300-21 | 7/16-20 X 2.5" HEX Bolt GR.8 W/Patch | 25 | 1 | 070-1000-00 | Clutch |
| 11 | 2 | 019-5037-00 | 3/8 SPLIT LOCKWASHER ZINC | 26 | 1 | 070-2000-00 | Clutch Pigtail |
| 12 | 1 | 019-6029-00 | 1.140 ID X 1.750 OD X .132 THICK FLAT WASHER PLAIN | 27 | 1 | 070-2305-00 | 2023 Rogue Frame - Painted |
| 13 | 4 | 019-8051-00 | 5/16 SPLIT LOCKWASHER ZINC | 28 | 1 | 086-0005-00 | Starter Cable |
| 14 | 1 | 019-8052-00 | 7/16 USS FLAT WASHER (1-1/4" OD) ZINC | 29 | 1 | 086-9023-00 | 2024 Vanguard EFI Vertical Engine Pigtail for Electric Throttle |
| 15 | 1 | 033-5035-00 | 4 3/4 Motor Pulley | 30 | 1 | 091-4035-00 | 2019 Rogue Pump Belt Route Decal |



PARTS SECTION: DECALS



091-4063-00

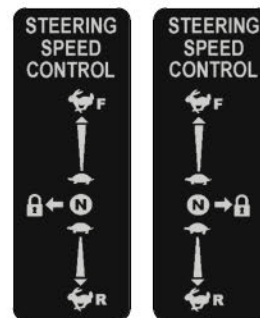
Flying Bulldog Front Bumper Decal



091-0504-00
54" Deck Decal

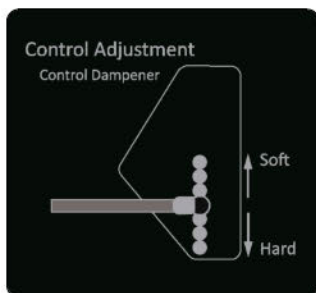
091-0506-00
61" Deck Decal

091-0507-00
72" Deck Decal



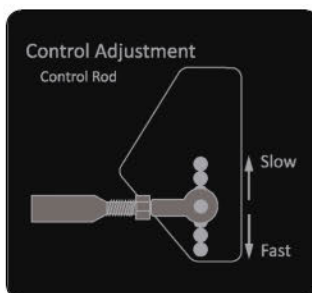
091-1114-00

2018 LH/RH Steering Control Decal Roll



091-4039-00

Control Adj. Control Dampener Decal



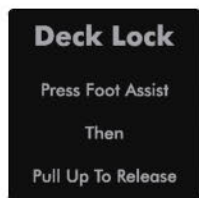
091-4038-00

Control Adj. Control Rod Decal



091-1101-18

2018 Out/XP/Diesel Brake Decal



091-4037-00

2019 Deck Release Decal



091-1020-00

Hydraulic Decal



091-3012-00

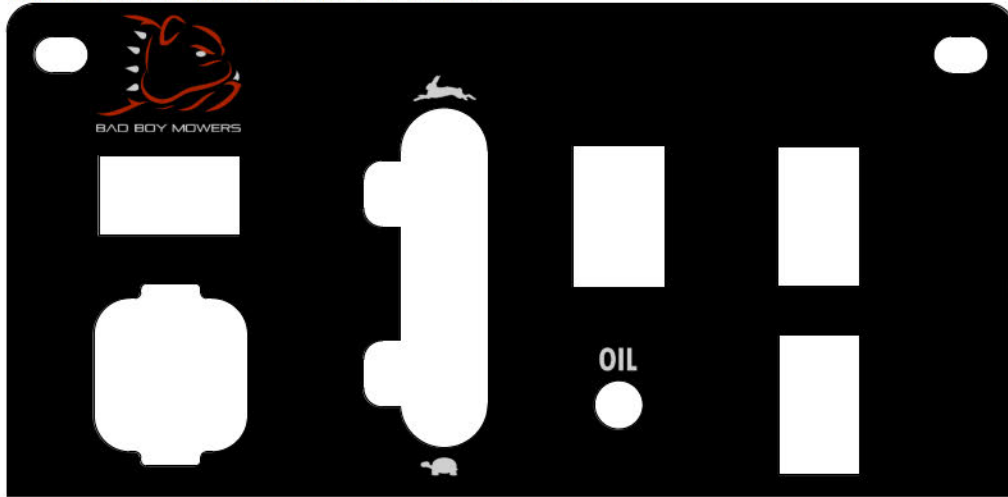
Danger Decal-Spindle/Discharge



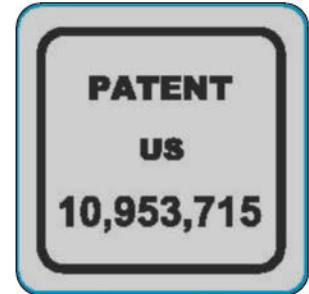
091-3150-00

Outlaw Warning Decal

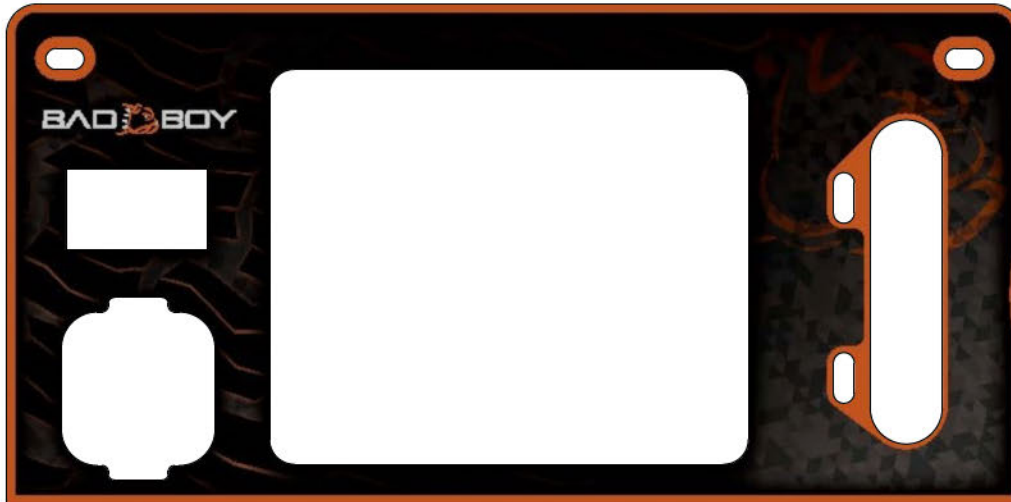
PARTS SECTION: DECALS



091-4009-22
2022 Rebel/Rogue Control Panel Decal



091-4064-00
Patent Decal (ROGUE/RENEGADE)



091-4044-00
2025 Rogue Digital Display Control Panel Decal



091-0020-22
Patent Decal (Anti-Wobble)



091-4002-22
2022 Powered By Vanguard Decal

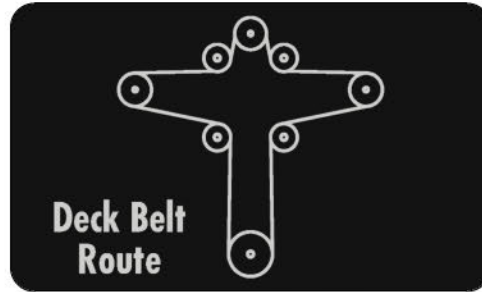


091-0516-00
Rogue back Plate & Front Decal

PARTS SECTION: DECALS



091-4035-00
2019 Rogue Pump Belt Route Decal



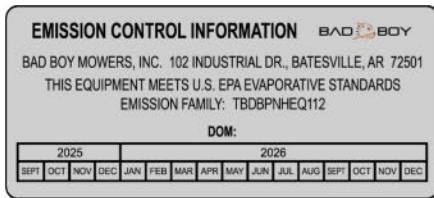
091-4036-00
2019 Rebel & Rogue Deck Belt Route Decal



091-4004-22
2022 Powered By Kohler Decal



091-4003-22
2022 Powered By Kawasaki Decal



091-0015-26
2026 EPA Build Date Punch Decal



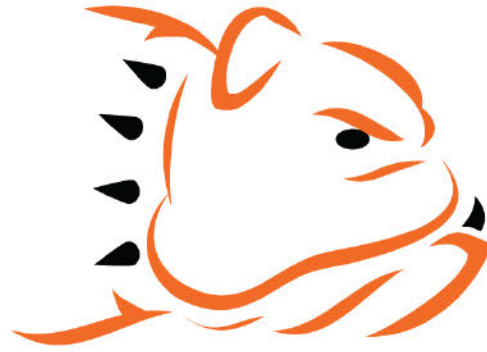
091-8002-00
Independently Articulating Front Suspension Arms Patent Decal



091-8001-00
Deck Impact Patent Decal 9591803



091-4040-00
2019 MIL Decal For Rogue EFI Models



BAD BOY MOWERS

www.badboycountry.com

Bad Boy Mowers, LLC
102 Industrial Drive
Batesville, Arkansas 72501