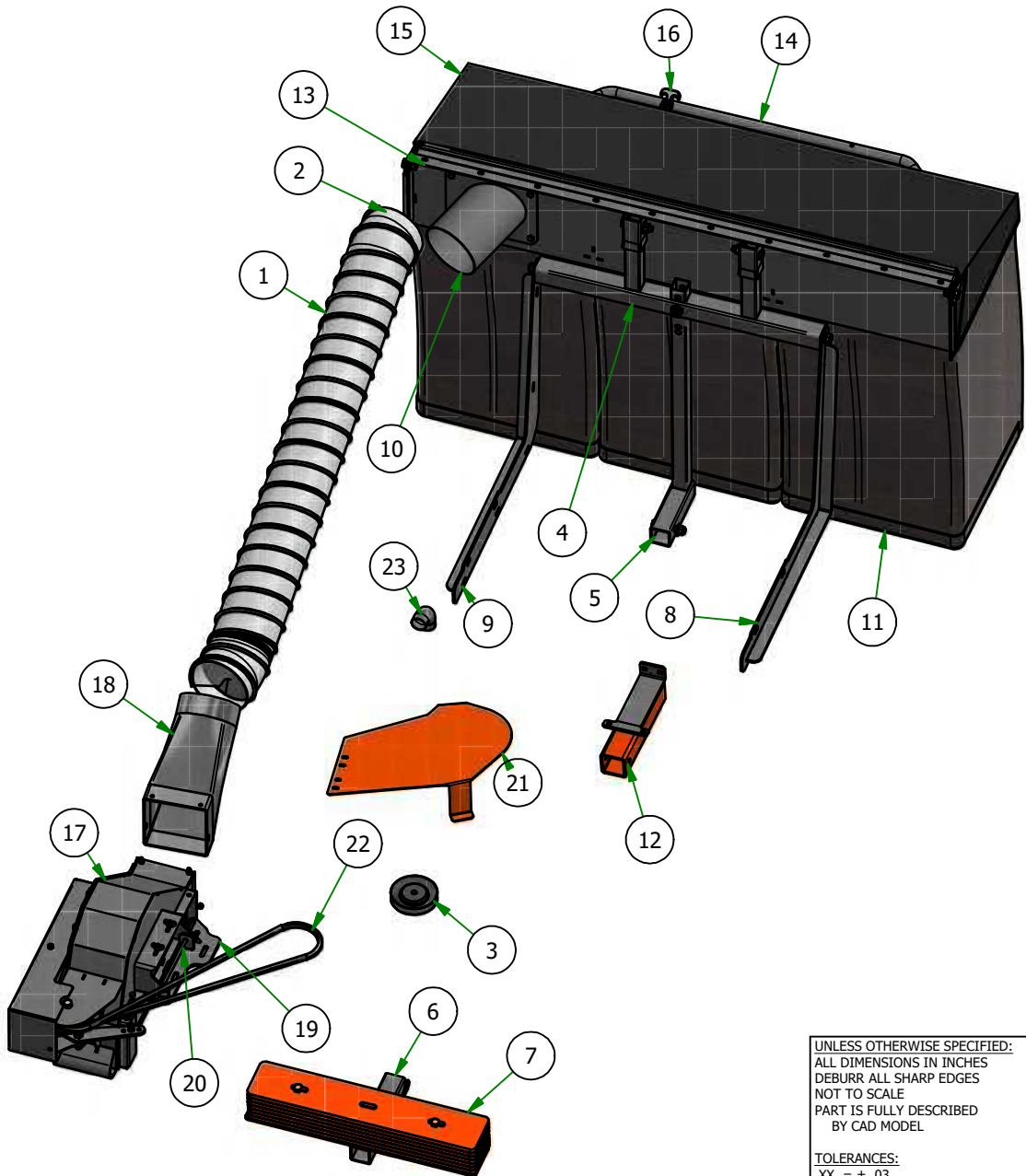


Parts List			
ITEM	QTY	PART NUMBER	DESCRIPTION
1	1	088-4061-00	Kanaflex Commercial tube
2	2	015-0158-00	6-QUICK-RELEASE CLAMP
3	1	033-4300-00	2019 Blower Deck pulley
4	1	088-1898-00	Bagger Carrier Tube Weldment Commercial
5	1	088-1897-00	Bagger Reciver tube weldment
6	1	093-1130-00	Humbolt Front Weight Receiver Hitch Weldment
7	7	088-1999-00	2019 Outlaw Counter Weight
8	1	039-0112-00	2019 Horizontal Bagger Mount BKT LH
9	1	039-0113-00	2019 Horizontal Bagger Mount BKT RH
10	1	039-0108-00	Discharge Coupler
11	3	088-4065-00	30 gal Bag
12	1	093-1135-00	2019 Vertical Rear Receiver Hitch
13	1	088-1902-00	3 bagger carrier weldment
14	1	088-1903-00	3 Bagger Lid weldment
15	1	088-4064-00	3 Bagger Cover
16	1	052-8000-00	Rubber T-Handle with stud
17	1	088-1893-00	Paddle Blower Assembly
18	1	039-4900-00	Paddle Blower plastic chute
19	1	039-0161-00	Blower Deck Mount Weldment ZT-Outlaw-R
20	1	040-6070-00	Blower latch pin
21	1	014-6020-00	Blower pulley cover 60-61-72
22	1	041-0086-00	Blower belt 61
23	1	015-5400-00	Exhaust Extension



UNLESS OTHERWISE SPECIFIED:
 ALL DIMENSIONS IN INCHES
 DEBURR ALL SHARP EDGES
 NOT TO SCALE
 PART IS FULLY DESCRIBED
 BY CAD MODEL

TOLERANCES:
 .XX = ± .03
 .XXX = ± .005
 .XXXX = ± .0005
 ANGULAR = ± 1°

Material:
 See Parts List
 Coating:



Scale: NTS
Sheet Number
1 OF 1
Revision:
Part Number 088-1824-00
Description 61 Renegade Bagger Paddle

REV	ECN NUMBER	DESCRIPTION	DATE	APPROVED
REVISION HISTORY				