



[www.badboymowers.com](http://www.badboymowers.com)

**PARTS MANUAL FOR BAD BOY AOS  
MODELS  
2008**

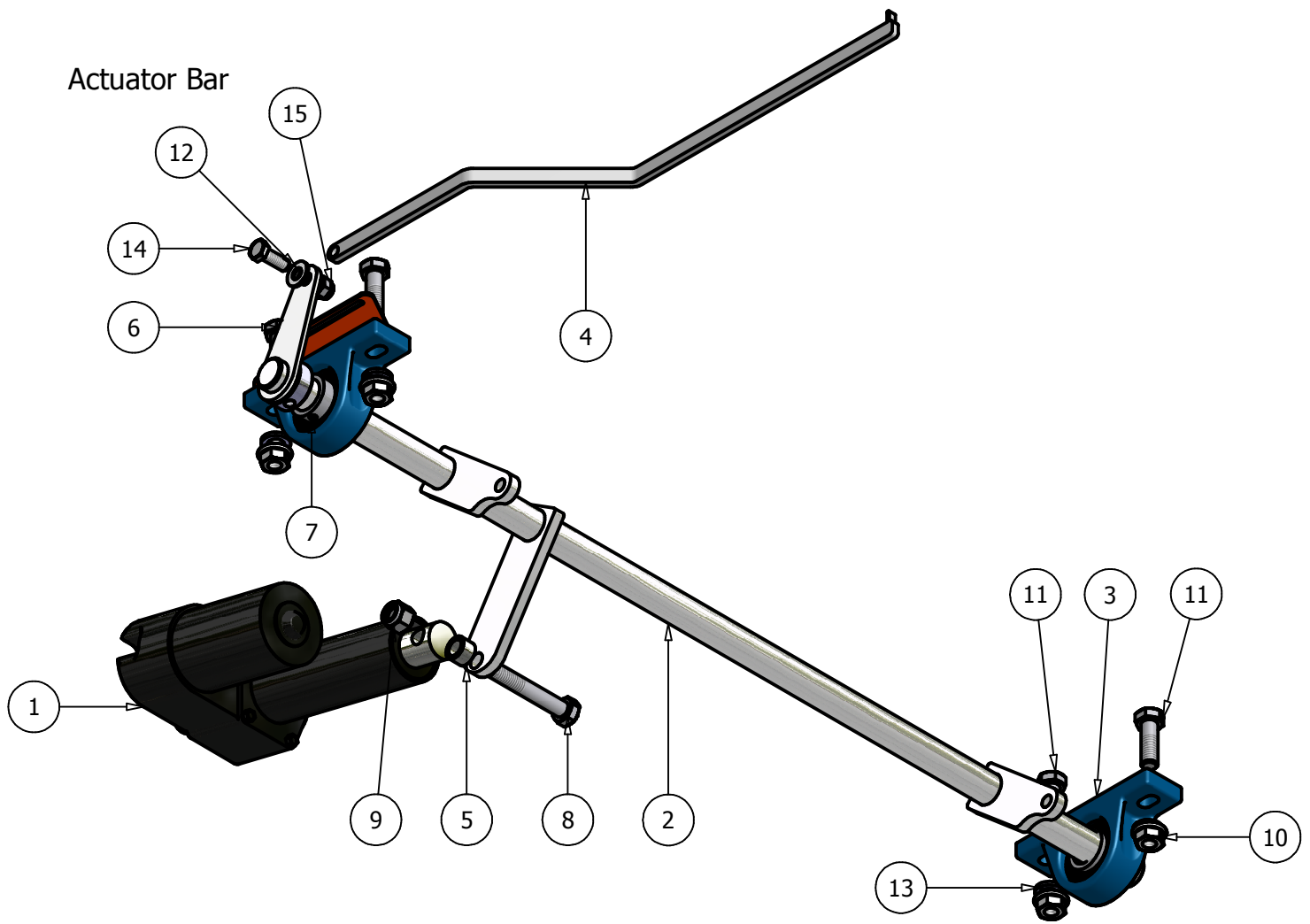


**35hp Vanguard  
27hp Kawasaki**



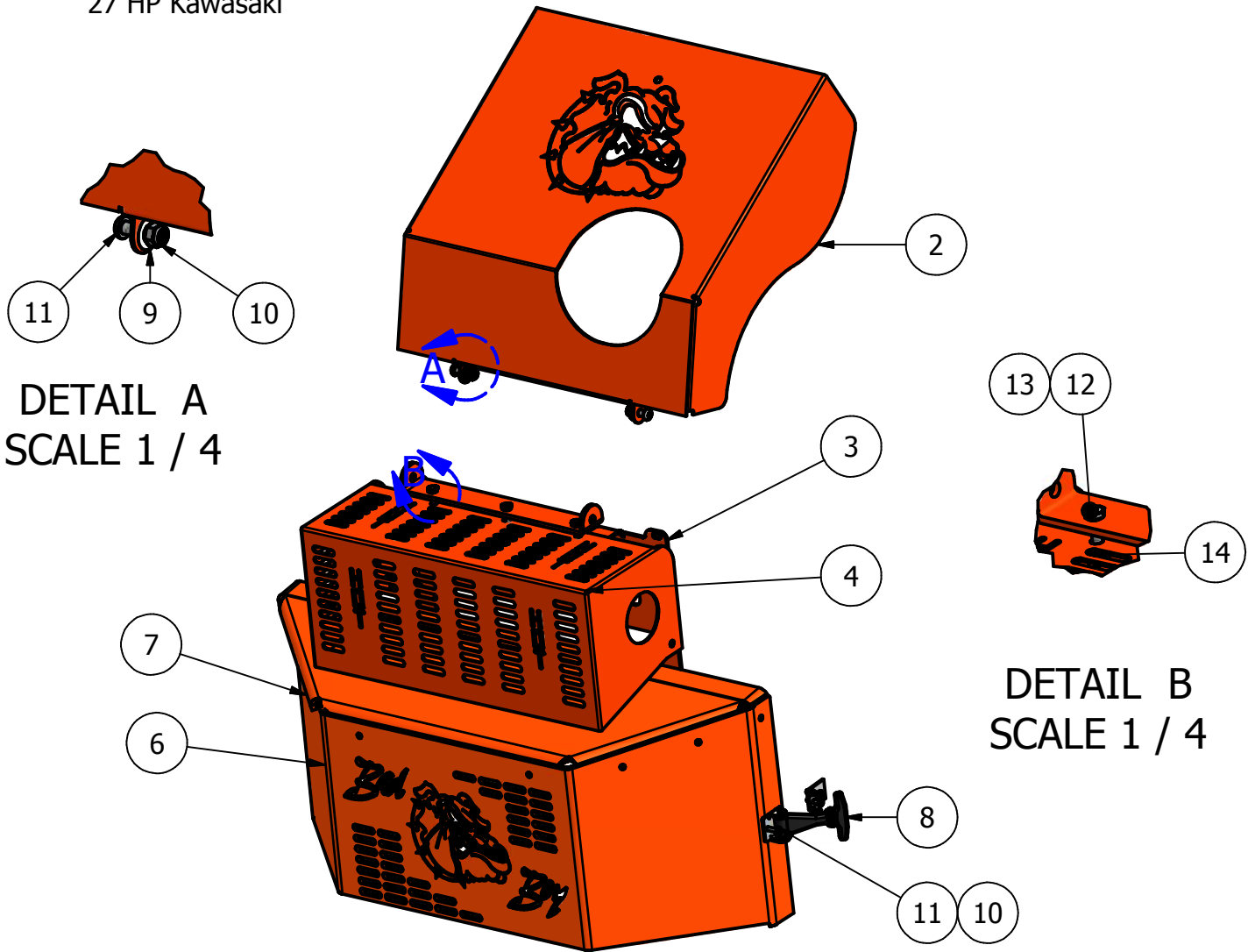
[www.badboymowers.com](http://www.badboymowers.com)

<b>Actuator Bar</b>	<b>3</b>
<b>Back Panel</b>	<b>4,5</b>
<b>AOS Clutch Assembly</b>	<b>6,7</b>
<b>Clutch Stack</b>	<b>8</b>
<b>Wheel Motor</b>	<b>9,10</b>
<b>Floor Panel</b>	<b>11</b>
<b>Seat Frame</b>	<b>12,13</b>
<b>Drive Arm</b>	<b>14,15</b>
<b>Front Wheel Assembly - Suspension</b>	<b>16</b>
<b>Rear Suspension</b>	<b>17</b>
<b>Fuel Tanks</b>	<b>18</b>
<b>Spindle</b>	<b>19</b>
<b>Hydraulic Cooler</b>	<b>20</b>
<b>Engine</b>	<b>21</b>
<b>Rear Pulley Assembly</b>	<b>22</b>
<b>60" Deck</b>	<b>23,24</b>
<b>72" Deck</b>	<b>25,26</b>
<b>Wiring Schematic - 27hp Kawasaki</b>	<b>27</b>
<b>Wiring Schematic - 35hp Vanguard</b>	<b>28</b>
<b>Technical Support</b>	<b>29</b>



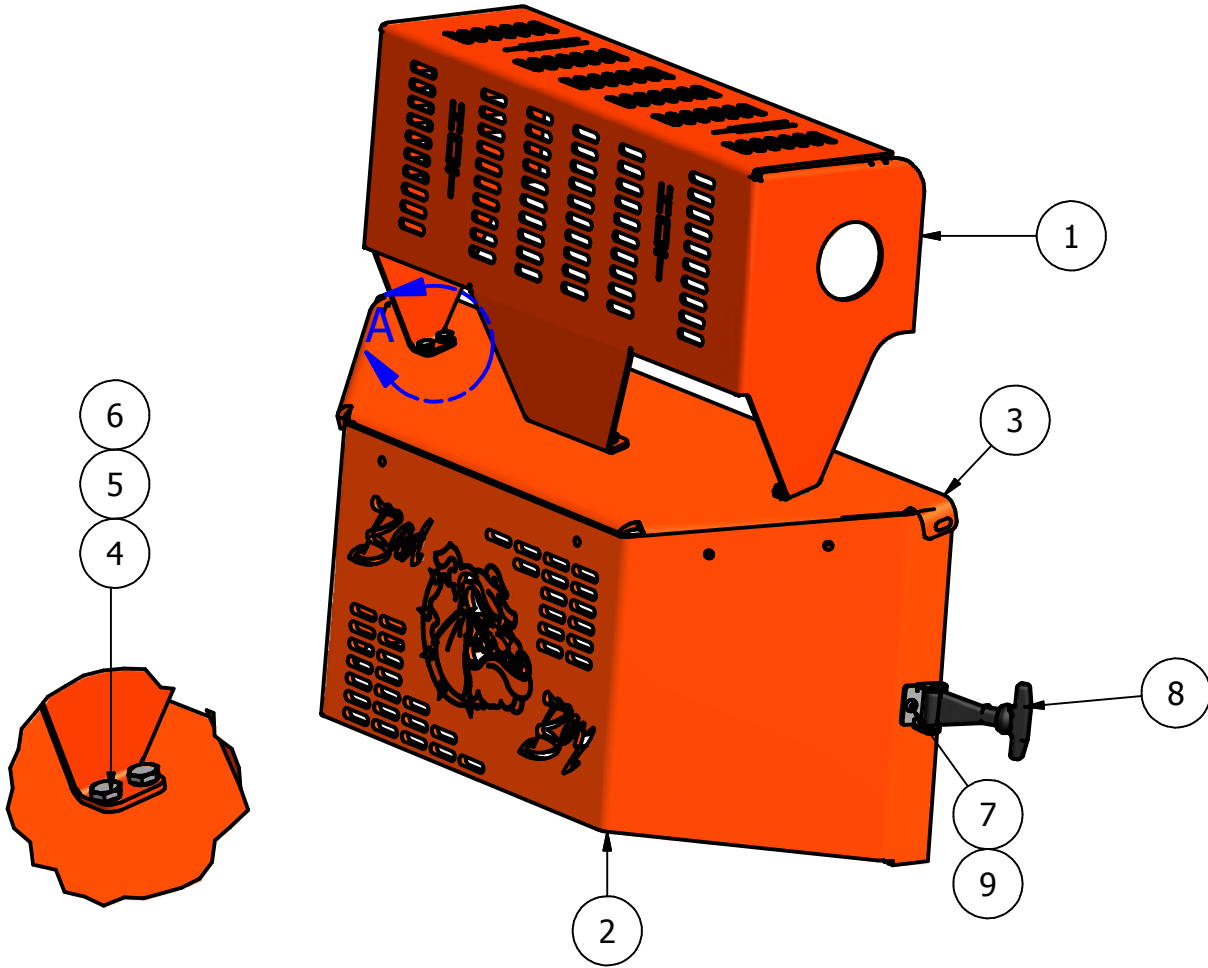
Actuator Bar			
ITEM	QTY	PART NUMBER	DESCRIPTION
1	1	035-7033-00	Actuator
2	1	028-7920-00	Actuator Bar
3	2	017-7008-00	1" Pillow Block
4	1	028-5203-00	Height Indicator
5	2	025-7036-00	1/2" x 1/2" Collar Spacer
6	1	031-7000-00	2006 Height Indicator Lever
7	1	030-6029-00	3/8 " Set Screw
8	2	018-7016-00	1/2" x 3" Hex Bolt
9	2	013-6037-00	1/2" Nylock Nut
10	4	013-5300-00	1/2" Flange Nut
11	4	018-5600-00	1/2" x 1 1/2" Hex Bolt
12	1	019-6042-00	.360 ID Plastic Washer
13	4	019-5007-00	1/2" Lock Washer
14	1	018-6049-00	3/8" x 1" Hex Bolt
15	1	013-5041-00	3/8 Nylock Nut

27 HP Kawasaki



Parts List			
ITEM	QTY	PART NUMBER	DESCRIPTION
1	1	026-8020-00	AOS Pump Plate
2	1	059-5204-00	Donaldson hood
3	1	039-5951-00	Hood Holder Bracket
4	1	043-5941-00	Muffler Guard
6	1	014-5940-00	Back Pump Cover
7	1	014-5912-00	Top Pump Cover
8	1	052-5020-00	Pump Cover Latch
9	3	019-6042-00	.360 ID Plastic Washer
10	4	013-5019-00	1024 Nylock Nut
11	4	018-8056-00	1024 x 1/2" Buttonhead Bolt
12	5	018-8052-00	1/4" x 3/4" SS Buttonhead Bolt
13	5	019-4008-00	1/4" Lock Washer
14	5	013-8039-00	1/4" Hex Nut

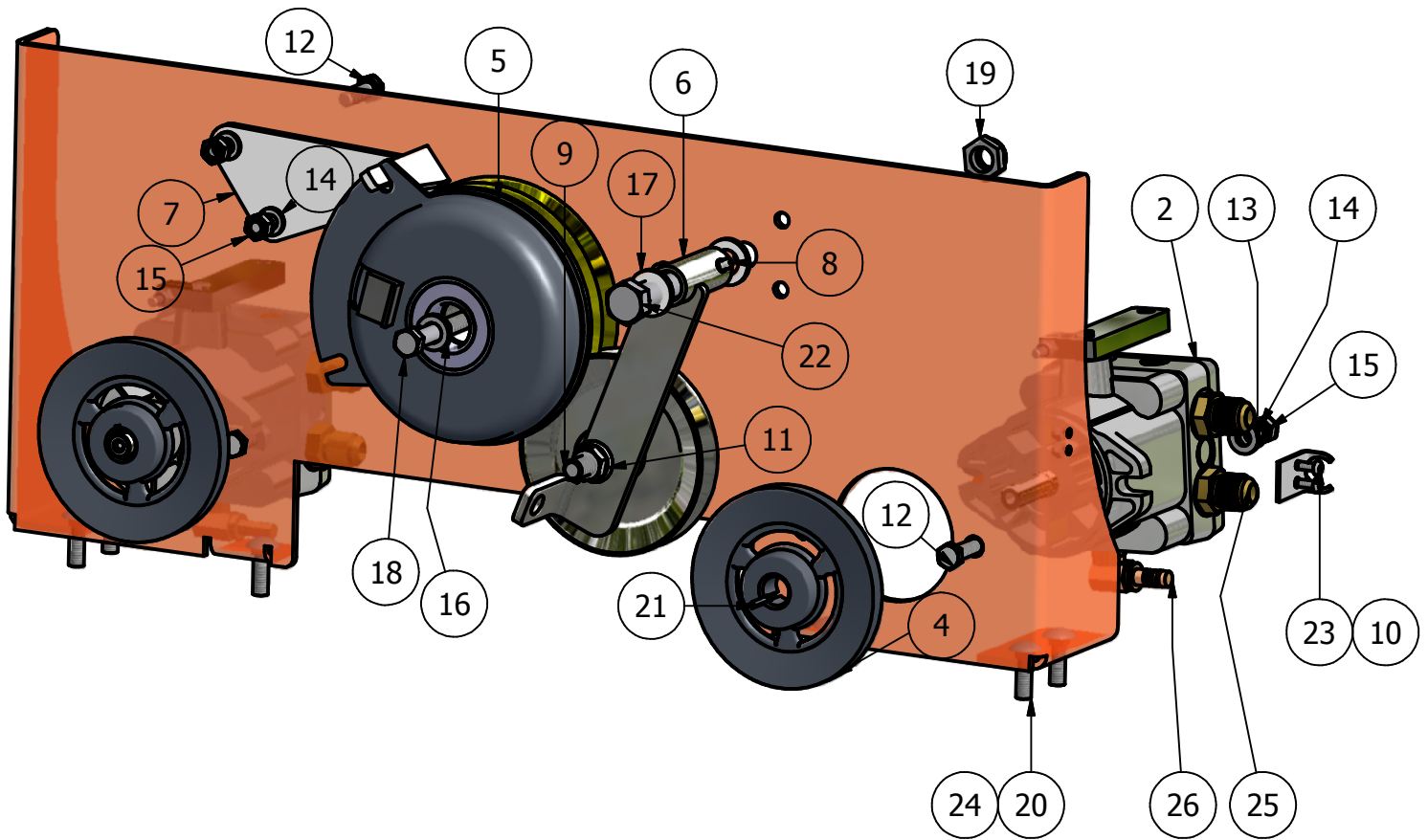
# 35hp Briggs



DETAIL A  
SCALE 1 / 3

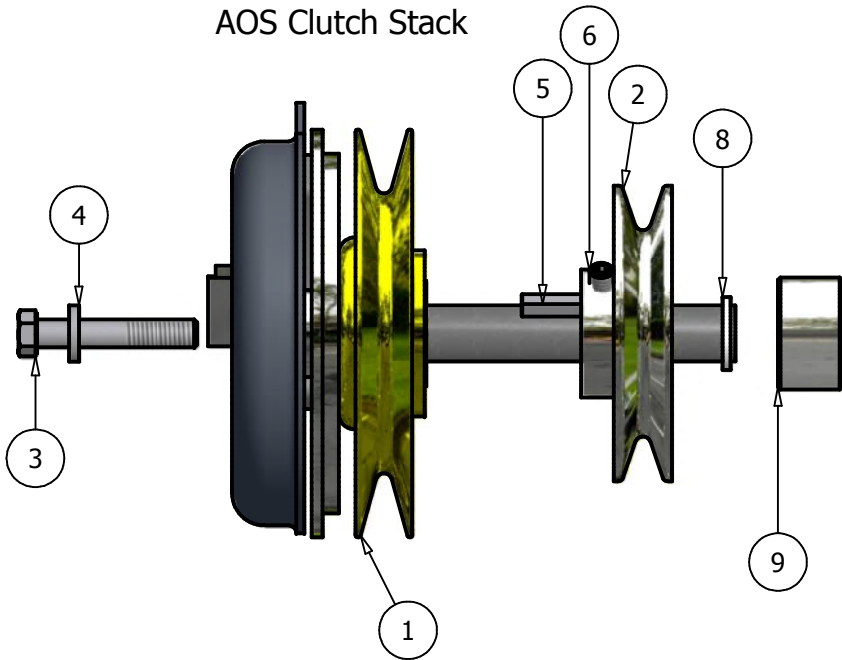
Parts List			
ITEM	QTY	PART NUMBER	DESCRIPTION
1	1	043-2004-00	Muffler Guard (35hp)
2	1	014-5940-00	Pump Cover (35hp)
3	1	014-5912-00	Top Pump Cover
4	6	018-8052-00	1/4" x 3/4" SS Buttonhead Bolt
5	1	019-4008-00	1/4" Lock Washer
6	1	013-8039-00	1/4" Nut
7	1	018-8057-00	1024 x 3/4" Buttonhead Bolt
8	1	052-5020-00	Cover Latch
9	2	013-5019-00	1024 Nylock Nut

# AOS Pump Plate/ Clutch Assembly

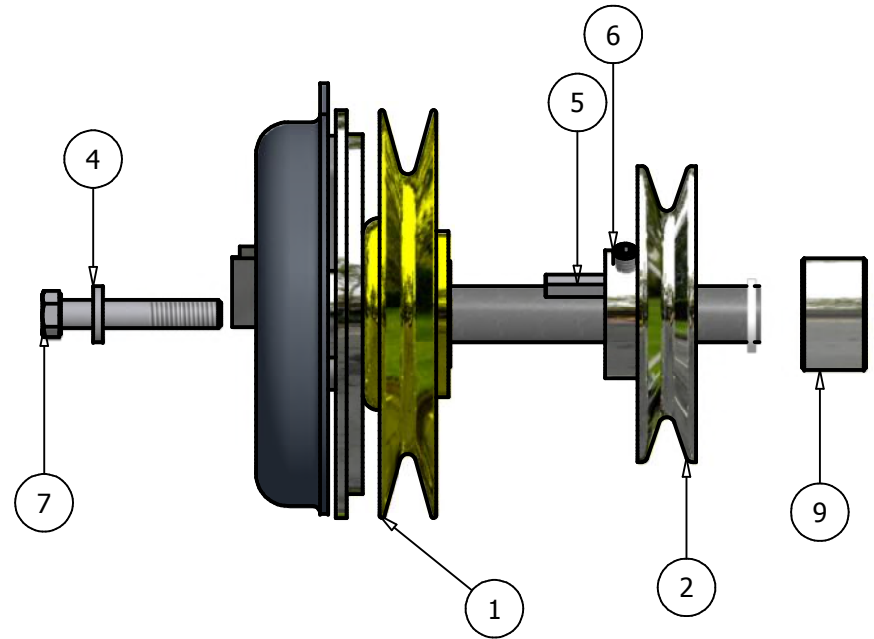


Parts List			
ITEM	QTY	PART NUMBER	DESCRIPTION
1	1	041-5048-00	Pump Belt
2	1	050-5407-00	Hydraulic Pump (Right)
3	1	050-5308-00	Hydraulic Pump (Left)
4	2	033-5011-00	5" Pump Pulley
5	1	070-5035-00	Clutch
6	1	039-5944-98	Pump Idler Bracket
7	1	057-5906-00	PTO Engager Holder
8	1	024-6034-00	Grease Fitting (Drive-IN Type)
9	1	018-6036-00	1/2" x 2 1/2" Hex Bolt
10	2	013-5019-00	1024 Nylock Nut
11	1	013-5300-00	1/2" Flange Nut
12	6	018-6012-00	3/8" x 1 1/2" Hex Bolt
13	4	019-5029-00	3/8" Flat Washer
14	6	019-5037-00	3/8" Lock Washer
15	6	013-6014-00	3/8" Nut
16	1	019-8053-00	7/16" Lock Washer
17	2	019-6017-00	.635 ID Plastic Washer
18	1	018-5300-00	7/16" x 2 1/2" Fine Thread Bolt
19	1	013-5301-00	5/8" Nylock (1/2 Jam)
20	6	018-5043-00	3/8" x 1 1/4" Carriage Bolt
21	2	042-5012-00	5mm x 1.25" Key
22	1	018-5311-00	5/8" x 4" Hex Bolt
23	2	018-8058-00	1024 x 1" Buttonhead Bolt
24	6	013-5041-00	3/8" Nylock Nut
25	4	024-7033-00	Hydraulic Fitting
26	2	024-5206-00	3/8" X 9/16"-18 ORB Male Fitting (S,A-2 P-4)

AOS Clutch Stack



35 Vanguard

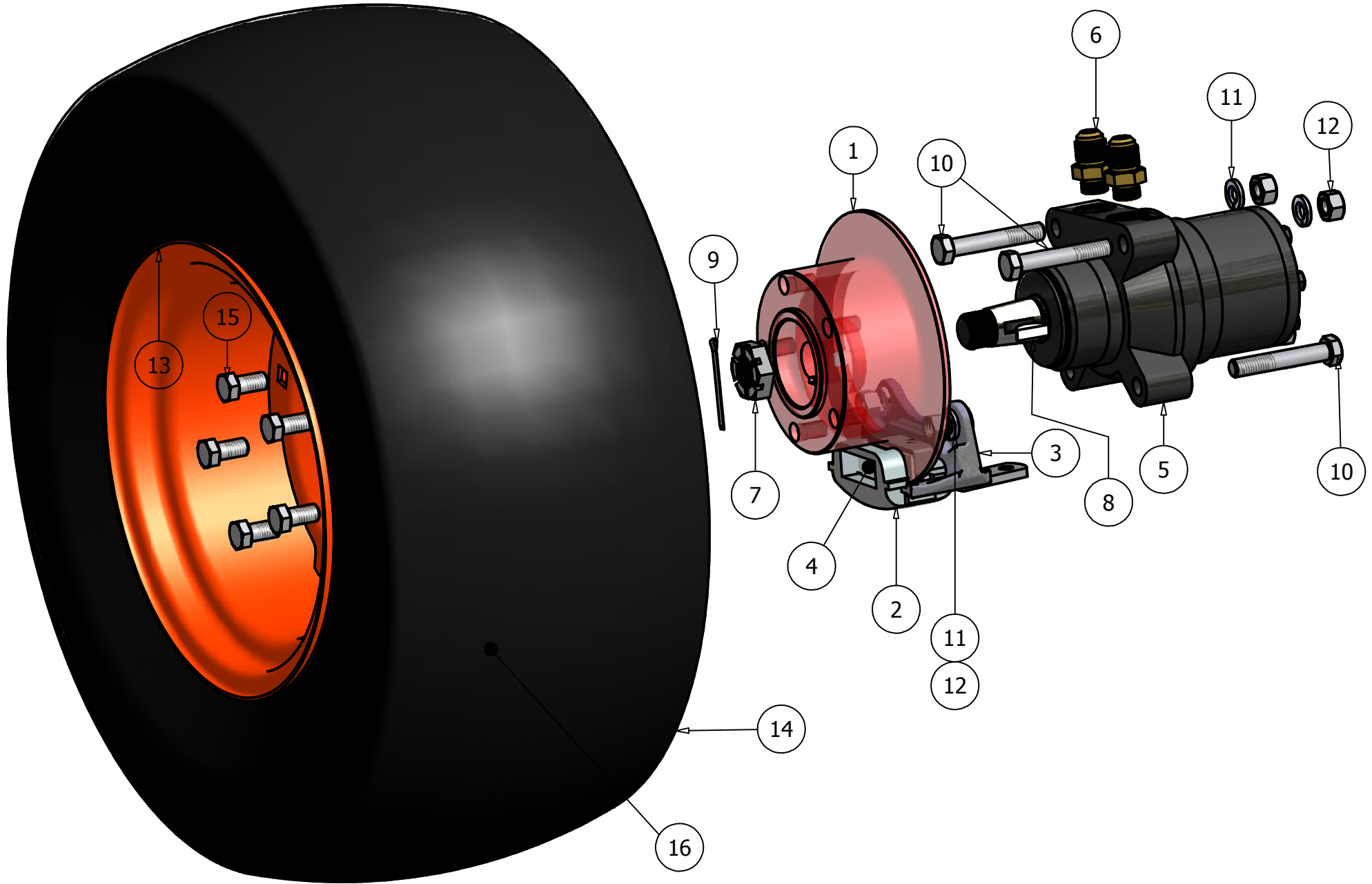


27 Kawasaki

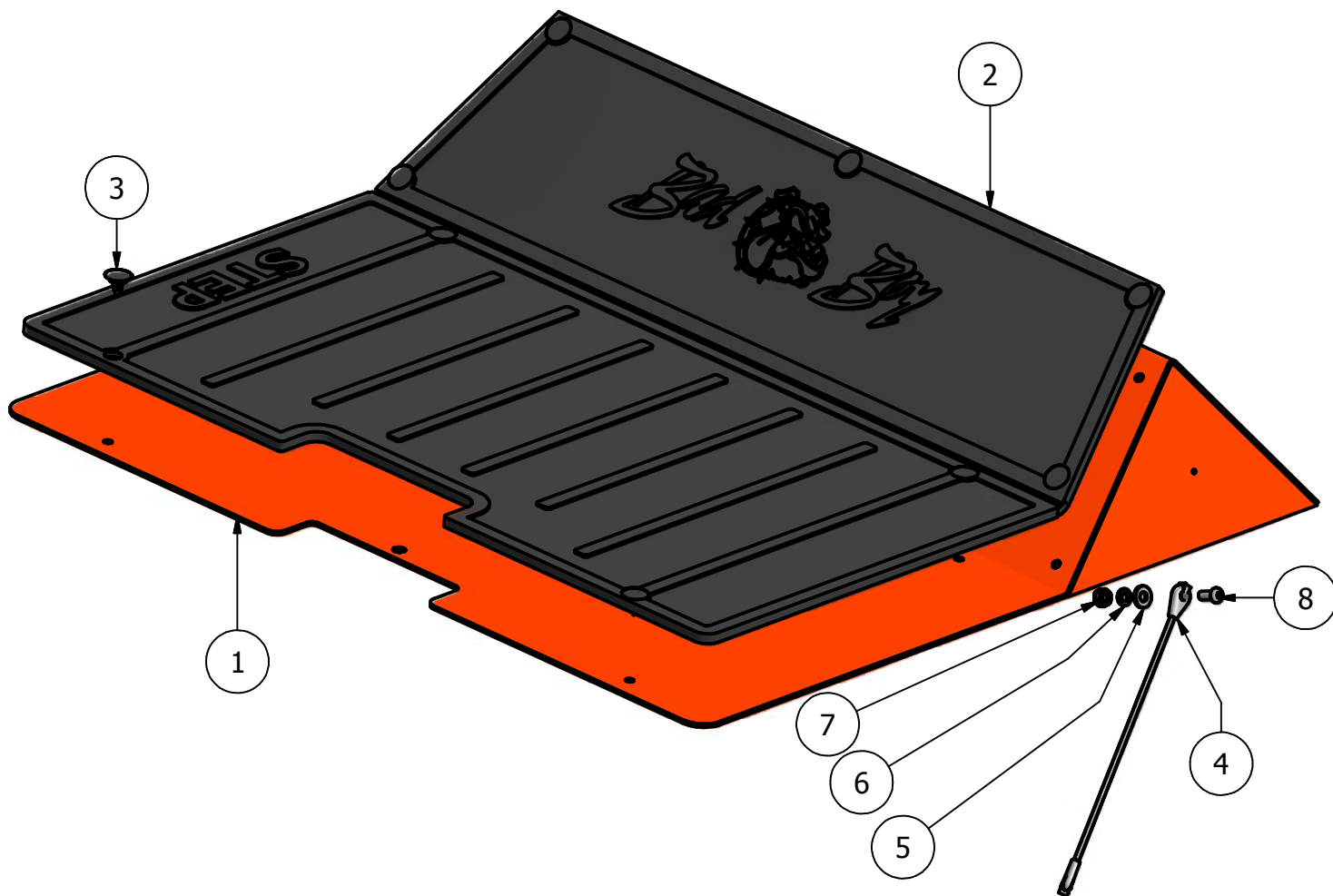
Clutch Assembly		
ITEM	PART NUMBER	DESCRIPTION
1	070-1000-00	Clutch Assembly
2	033-5034-00	4 3/4" Motor Pulley
3	018-5300-00	7/16" x 2 1/2" Fine Thread Bolt
4	019-8053-00	7/16" Lock Washer
5	042-6030-00	1/4" x 1" Key
6	030-6029-00	3/8" Set Screw
7	018-5028-00	10mm x 552 Bolt
8	019-6029-00	1 1/8" Flat Spacer
9	025-5032-00	1 1/8" collar spacer



# Wheel Motor/Tire and Wheel Assembly (AOS)

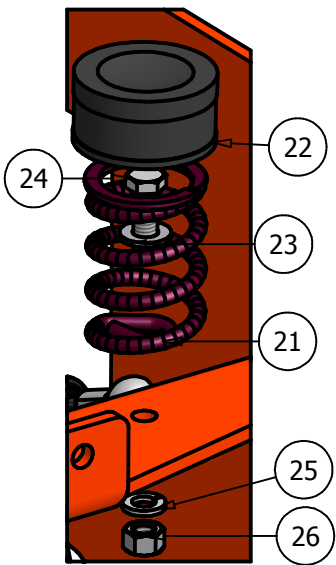
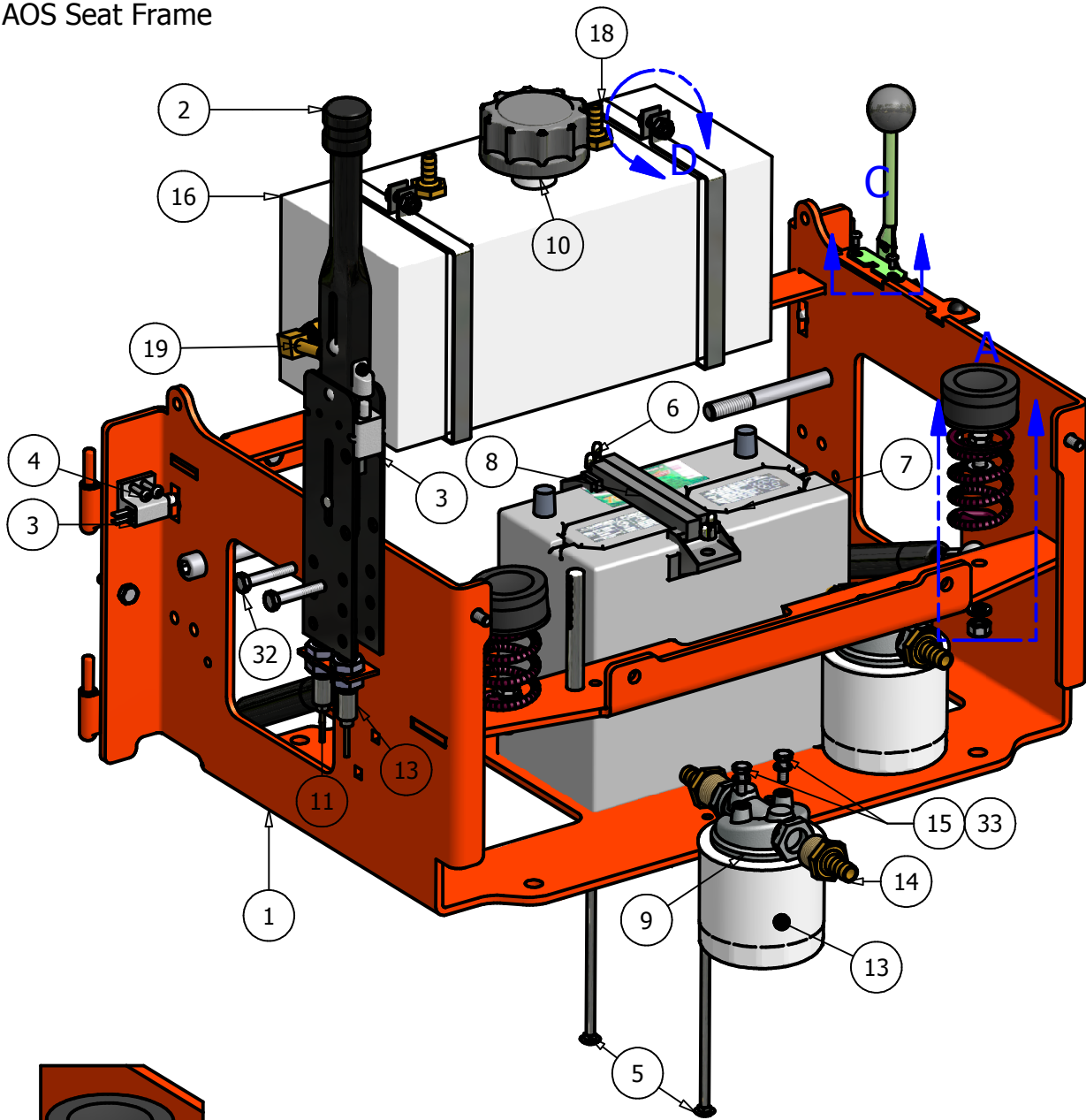


Wheel Motor/ Tire and Wheel Assmebly			
ITEM	QTY	PART NUMBER	DESCRIPTION
1	1	092-5201-00	Brake Disc
2	1	016-1610-98/016-1609-98	Right Brake Assmebly/ Left
3	1	039-8936-00	Brake Casting
4	1	016-9998-00	Brake Pads
5	1	015-5302-00/ 015-5303-00	Right Wheel Motor/ Left
6	2	024-5204-00	3" Hydraulic Fitting
7	1	013-7050-00	Castle Nut
8	1	042-7041-00	Woodruff Key
9	1	020-7022-00	1/8" x 2 1/4" Cotter #8
10	4	018-7016-00	1/2" x 3" Hex Bolt
11	4	019-5007-00	1/2" Lock Washer
12	4	013-7018-00	1/2" Hex Nut
13	1	022-7033-00	12" Rim - AOS Models
14	1	022-7032-00	26x12-12 Tire - AOS Models
15	5	018-7033-00	1/2" x 1" Lug Bolt (Fine Thread)
16	1	022-7031-00	26 x 12-12 Tire and Wheel Assembly

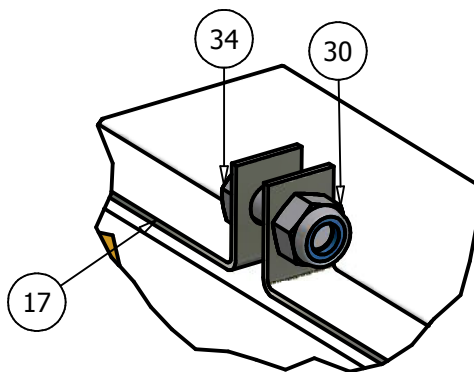


Parts List			
ITEM	QTY	PART NUMBER	DESCRIPTION
1	1	079-6000-00	2006 AOS Floor Panel
2	1	081-2007-00	AOS Floor Mat
3	9	018-1050-00	Ratchet Fastener
4	1	064-2005-00	Floor Board Cable
5	1	019-7040-00	1/4" Flat Washer
6	1	019-4008-00	1/4" Lock Washer
7	1	013-8039-00	1/4" Hex Nut
8	1	018-8064-00	1/4" x 5/8" Buttonhead Bolt

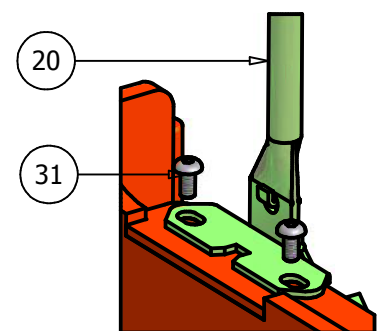
# AOS Seat Frame



DETAIL A



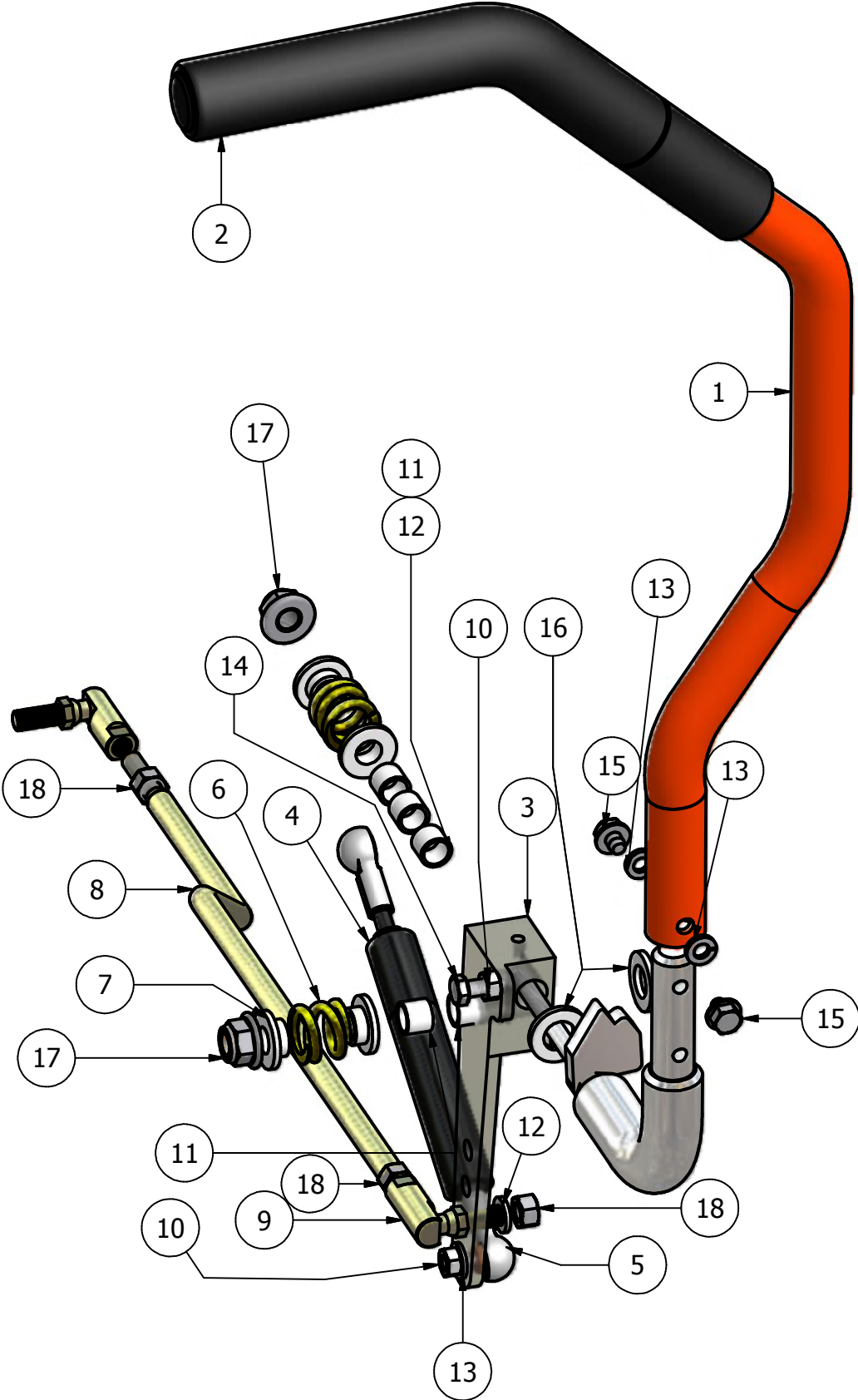
DETAIL D



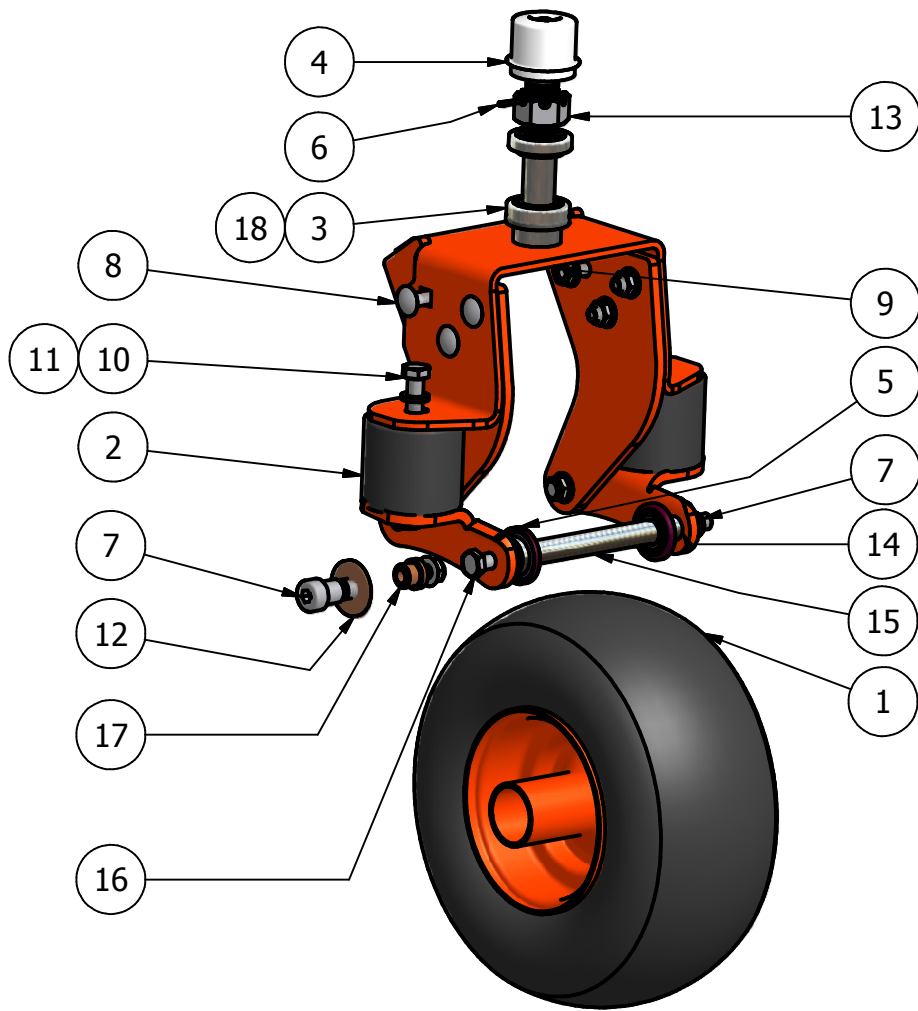
DETAIL C

Seat Frame			
ITEM	QTY	PART NUMBER	DESCRIPTION
1	1	080-6010-00	Seat Frame
2	1	069-8054-00	Brake Lever
3	3	077-8073-00	Brake Handle Switch
4	4	018-8056-00	1024 x 1" Bolt
5	2	018-8051-00	8" Stove Bolt (Diesel gets 9")
6	2	013-8051-00	1/4" Wing Nut
7	1	068-8049-00	Battery
8	1	043-8929-00	Battery Hold-Down
9	2	062-8013-00	Filter Head
10	1	066-8048-00	Hydraulic Tank Cap
11	1	064-8055-00	Short Brake Cable
12	1	064-8056-00	Long Brake Cable
13	2	063-8014-00	Hydraulic Filter
14	4	024-5050-00	1/2" x 1/2" Filter Head Fitting
15	4	018-8052-00	1/4" x 3/4" Hex Bolt
16	1	067-9016-00	Hydraulic Tank
17	2	213-6001-00	Hydraulic Tank Strap
18	2	024-5205-00	3/8" X 3/8" Hose Barb
19	2	024-5203-00	1/2" x 1/2" Filter Head Fitting (90 Degree)
20	1	055-8017-00	Throttle
21	2	034-8045-00	Seat Spring
22	2	014-8047-00	Spring Cap Cover
23	2	019-5029-00	3/8" Flat Washer
24	2	018-6012-00	3/8" x 1 1/2" Hex Bolt
25	4	019-5037-00	3/8" Lock Washer
26	8	013-6014-00	3/8" Hex Nut
27	12	019-8051-00	5/16" Lock Washer
28	8	019-8044-00	5/16" Flat Washer
29	1	054-8016-00	Choke
30	1	013-8047-00	5/16" Nylock Nut
31	2	018-5200-00	1024 X 5/8" Buttonhead Bolt
32	2	018-8059-00	5/16" x 1 3/4" Hex Bolt
33	4	019-4008-00	1/4" Lock Washer
34	4	018-8063-00	5/16" x 3/4" Hex Bolt
35	1	029-8059-00	Piezo Buzzer- 27 Kawasaki Only
36	1	071-3000-00	Seat
37	1	026-2006-00	Seat Plate

# Drive Arms



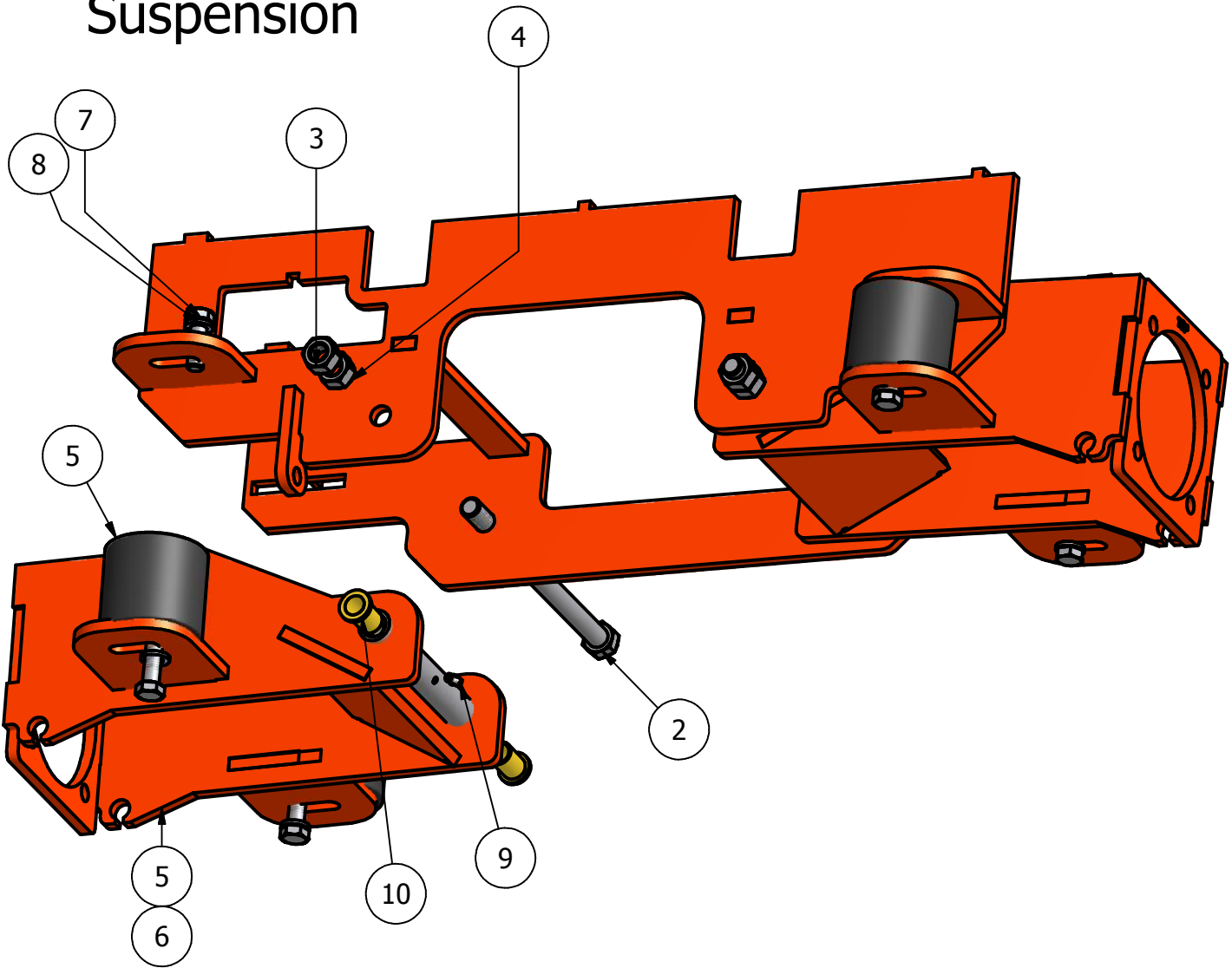
Parts List			
ITEM	QTY	PART NUMBER	DESCRIPTION
1	1	031-8822-00/031-8821-00	Right Drive Arm/ Left
2	2	069-4010-00	Rubber Steering Handle
3	1	027-8819-00/027-8820-00	Left Drive Arm Lever Housing/Right
4	2	087-8080-00	Damper
5	2	018-2050-00	10MM Damper Ball Stud
6	4	034-8025-00	Drive Lever Spring
7	8	019-8027-00	.515 ID Nylon Shoulder Washer
8	2	035-5344-00	Push Rod
9	4	099-6046-00	3/8-24 Ball joint (female/male)
10	4	013-8043-00	5/16" Nut
11	10	032-8024-00	.507 ID Nylon Bushing
12	4	019-5037-00	3/8" Lock Washer
13	6	019-8051-00	5/16" Lock Washer
14	2	018-8063-00	5/16" x 3/4" Hex Bolt
15	4	018-2007-00	5/16" x 1/2" Flange Bolt
16	4	019-8054-00	.505 ID Plastic Washer
17	4	013-8050-00	1/2" Flange Lock Nut
18	8	013-6051-00	3/8" Fine Thread Nut



Parts List			
ITEM	QTY	PART NUMBER	DESCRIPTION
1	1	022-2006-00	13" x 6.50 - 6 Tire and Orange Wheel
2	2	032-9001-00	Rubber Isolator
3	2	010-7001-00	Bearing
4	1	014-7005-00	Dust Cover
5	2	022-7009-00	5/8" Bearing
6	1	020-7022-00	1/8" x 2 1/4" Cotter #8
7	2	018-3001-00	5/8" x 5/8" Shoulder Bolt
8	6	018-3003-00	1/2" x 1 1/4" Carriage Bolt
9	8	013-5300-00	1/2" Flange Nut
10	4	018-5006-00	1/2" x 1 1/2" Hex Bolt
11	4	019-5007-00	1/2" Lock Washer
12	2	019-5038-00	5/8" Flat Washer
13	1	013-7004-00	1" Fine Threaded Castle Nut
14	2	025-7036-00	1/2" x 1/2" Collar Spacer
15	1	025-5202-00	7" x 1/2" ID Tire Spacer
16	1	018-3002-00	1/2" x 10" Bolt
17	2	032-5052-00	5/8" Shoulder Bushing
18	2	011-7002-00	Race

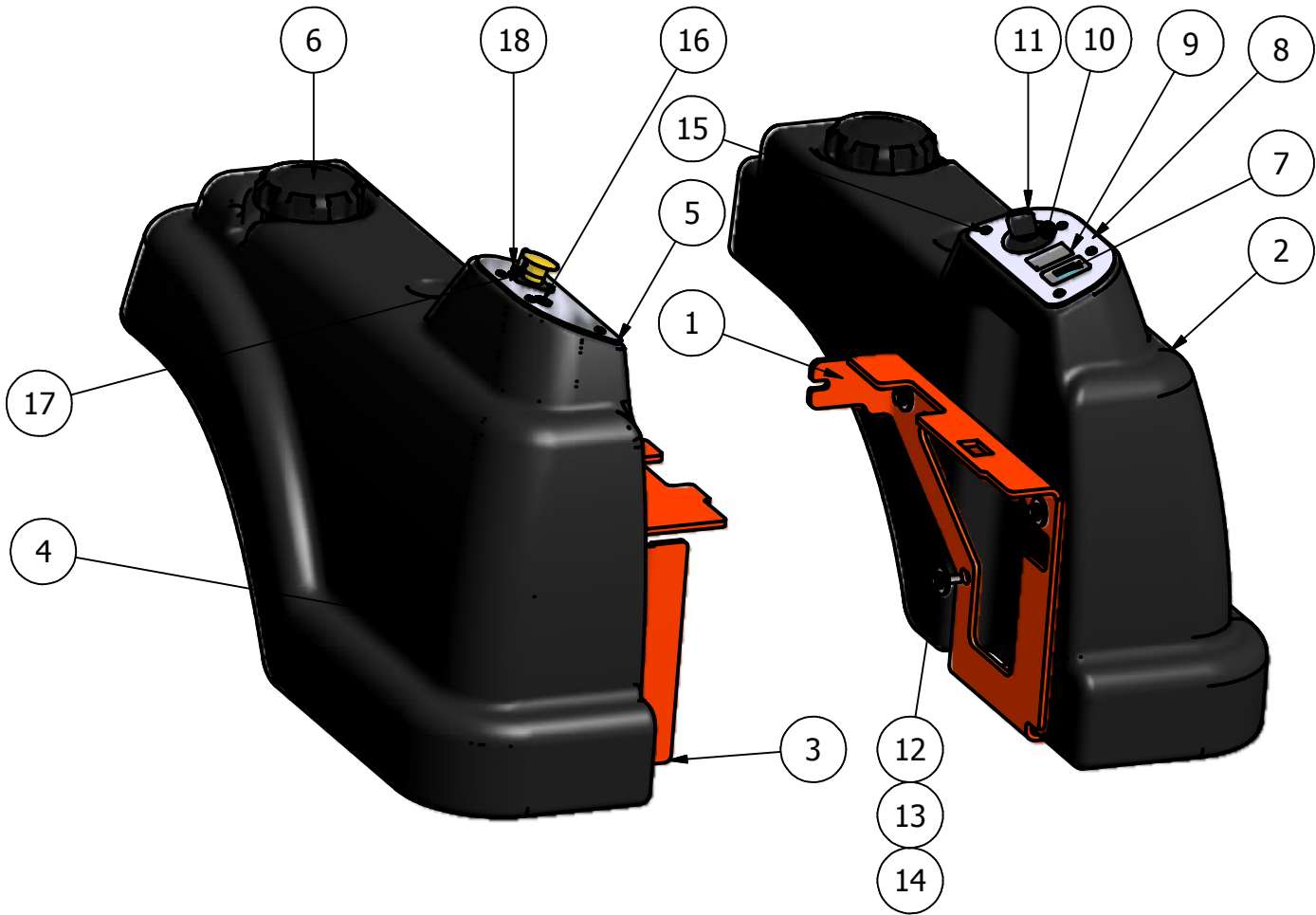


# Suspension



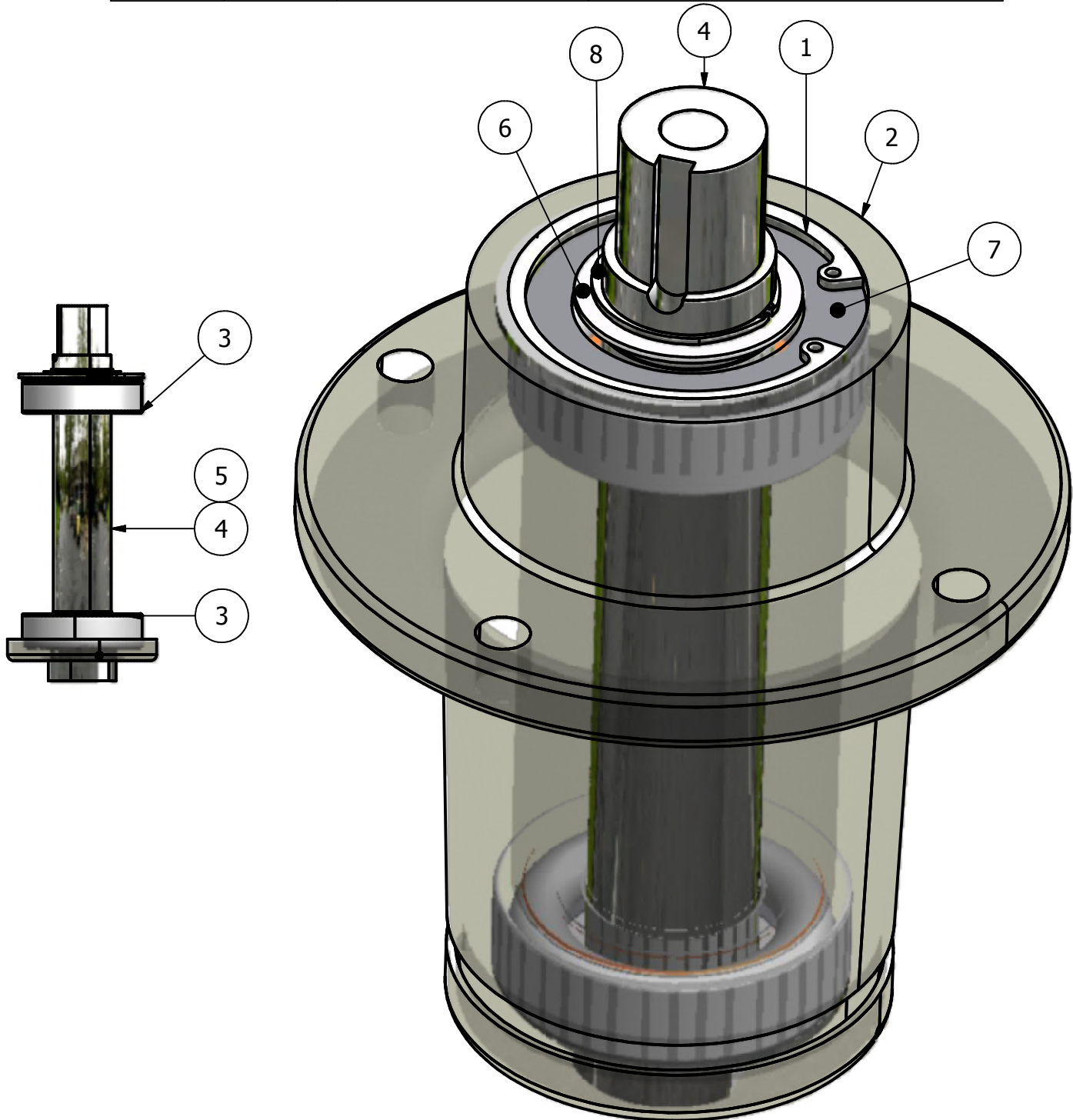
Parts List			
ITEM	QTY	PART NUMBER	DESCRIPTION
1	4	032-9000-00	Vibration Mount
2	2	018-2051-00	5/8" x 10" Hex Bolt (Grade 8)
3	2	013-5301-00	5/8" Nylock 1/2 Jam
4	2	013-5020-00	5/8" Nut
5	2	070-8000-00	60" Inner Suspension Cage
6	2	070-8001-00	72" Inner Suspension Cage
7	8	018-5006-00	1/2" x 1 1/2" Hex Bolt
8	8	019-5007-00	1/2" Lock Washer
9	2	024-6034-00	Grease Fitting (Drive-In)
10	4	032-5050-00	Shoulder Spacer
11	4	215-2000-00	3/4" Brass Bushing

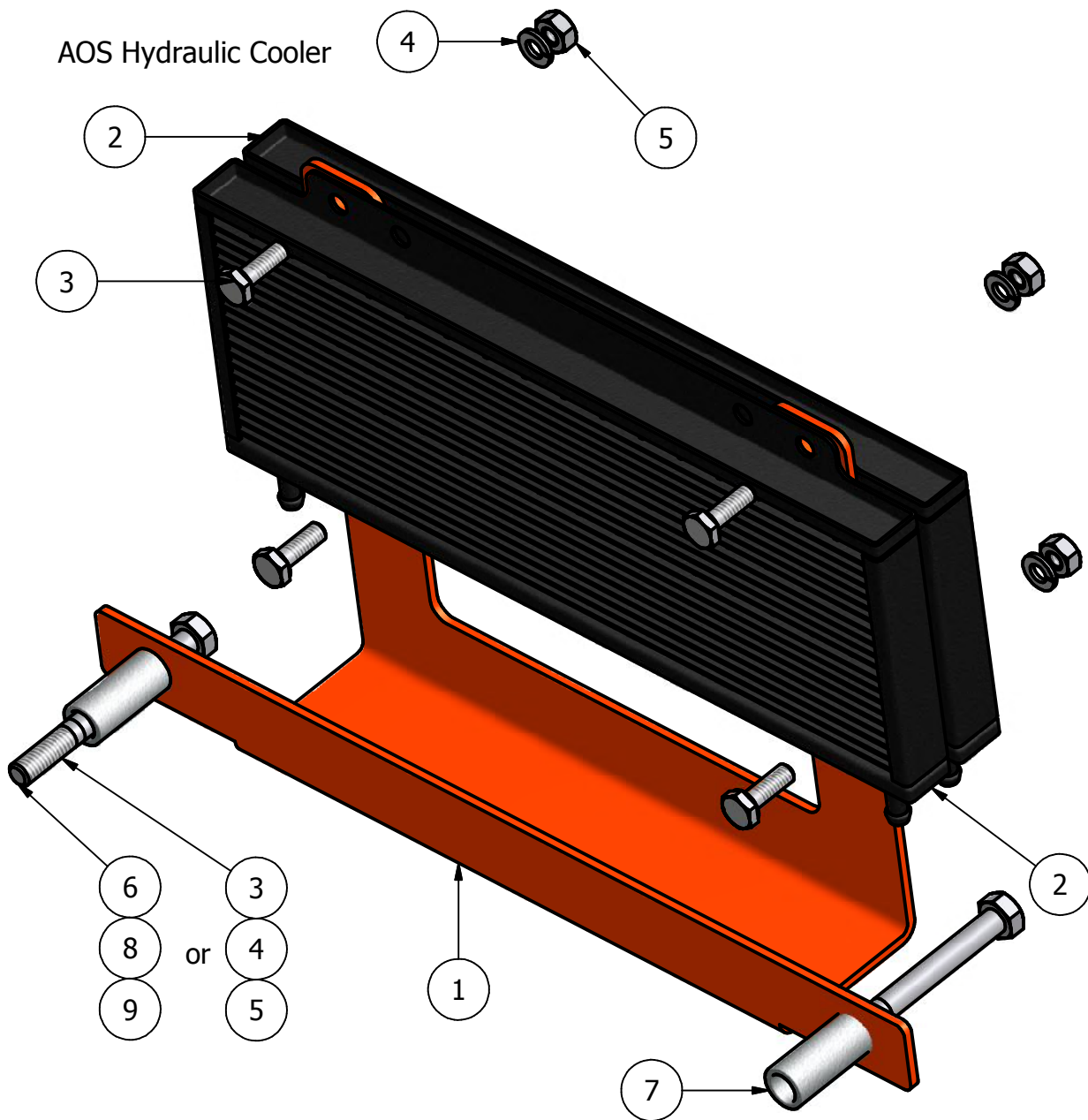
# AOS Tanks



Parts List			
ITEM	QTY	PART NUMBER	DESCRIPTION
1	1	031-2006-00	Left Fuel Tank Swing Support
2	1	067-3000-00	Left Fuel Tank with Fender
3	1	031-2011-00	Fuel Tank Support (Right)
4	1	067-3001-00	Right Fuel Tank with Fender
5	1	079-3403-00	AOS control panel (Right)
6	2	066-8076-00	Fuel Cap
7	1	083-4013-00	Tachometer
8	1	079-3402-00	Control Panel (Left)
9	1	018-1040-00	control panel stop
10	1	077-8076-00	Ignition Switch
11	1	042-9000-00	Ignition Key
12	10	018-5015-00	5/16" x 1" Hex Bolt
13	10	019-8051-00	5/16" Lock Washer
14	5	019-8054-00	.505 Nylon Spacer
15	8	018-5301-00	10mm x 32 x 1" Bolt
16	1	089-1000-00	Oil Light
17	1	056-8058-00	PTO Engager
18	1	078-8077-00	Deck Lift Joystick

Parts List			
ITEM	QTY	PART NUMBER	DESCRIPTION
1	2	037-6009-00	Bearing Retainer Ring
2	1	037-6017-00	Spindle Housing
3	2	037-6023-00	Bearing
4	1	037-6019-00	Short Shaft
5	1	037-6018-00	Long Shaft
6	2	037-6021-00	Small Bearing Spacer
7	2	037-6020-00	Large Bearing Spacer
8	1	037-6022-00	Shaft Retainer Ring





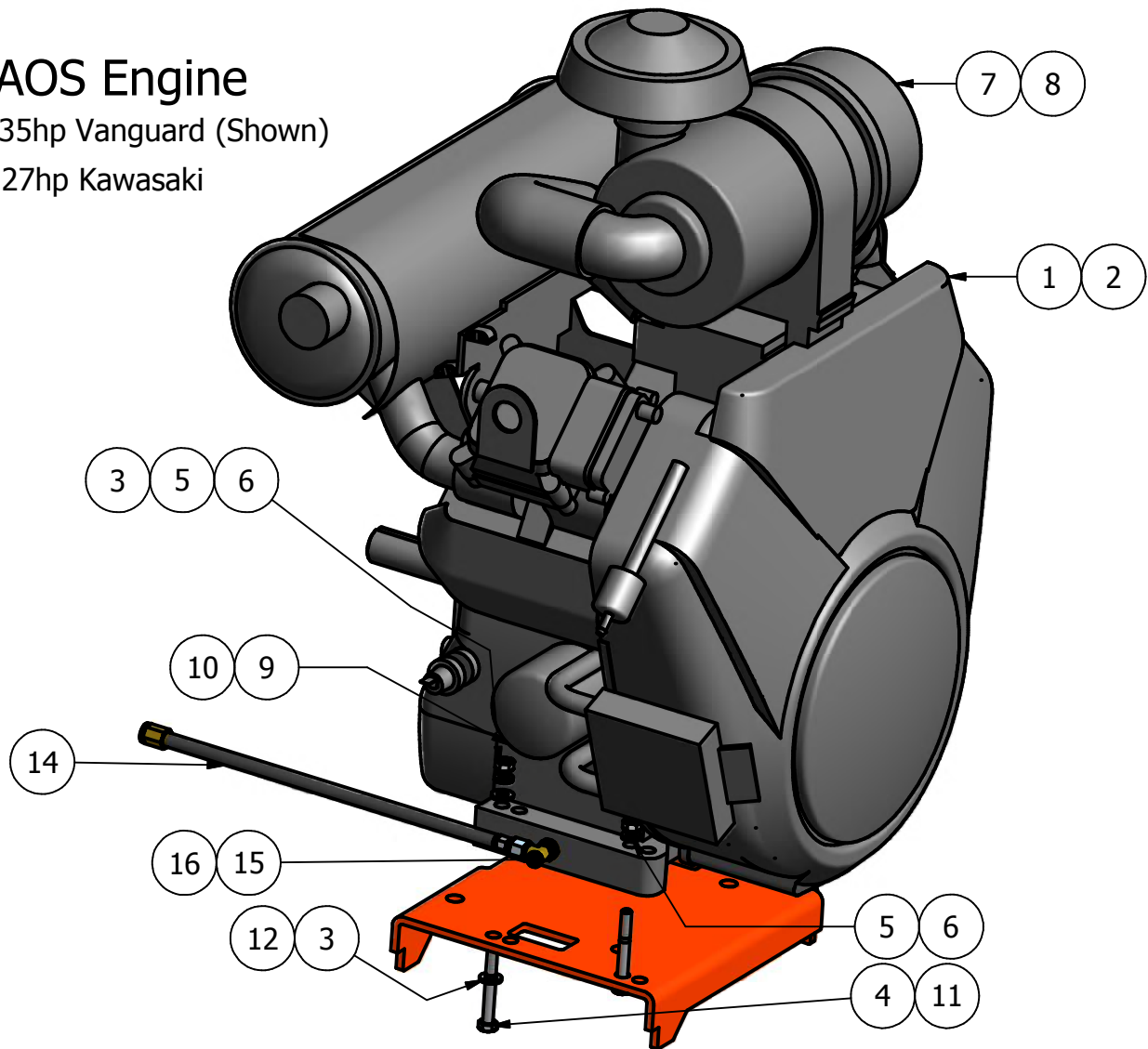
Parts List			
ITEM	QTY	PART NUMBER	DESCRIPTION
1	1	057-5950-00	Cooler Holder
2	2	061-8012-00	Hydraulic Cooler
3	4	018-8052-00	1/4" x 3/4" Hex Bolt
4	2	019-4008-00	1/4" Lock Washer
5	2	013-8039-00	1/4" Hex Nut
6	2	018-5355-00	5/16" x 6" Hex Bolt (35hp AOS)
7	2	025-3100-00	5" Cooler Holder Spacer (35hp AOS)
8	1	019-8051-00	5/16" Lock Washer
9	1	013-8043-00	5/16" Nut

27 Kawasaki Only			
ITEM	QTY	PART NUMBER	DESCRIPTION
3	4	018-8052-00	1/4" x 3/4" Hex Bolt
4	2	019-4008-00	1/4" Lock Washer
5	2	013-8039-00	1/4" Hex Nut

# AOS Engine

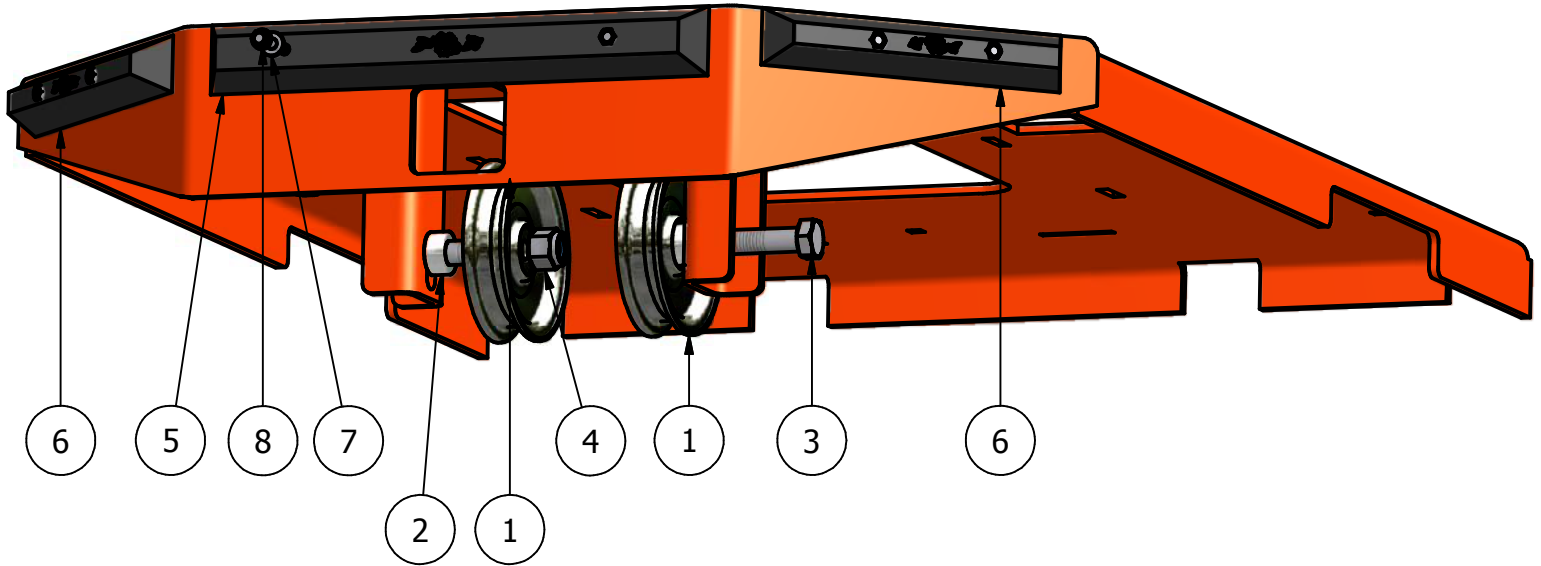
35hp Vanguard (Shown)

27hp Kawasaki



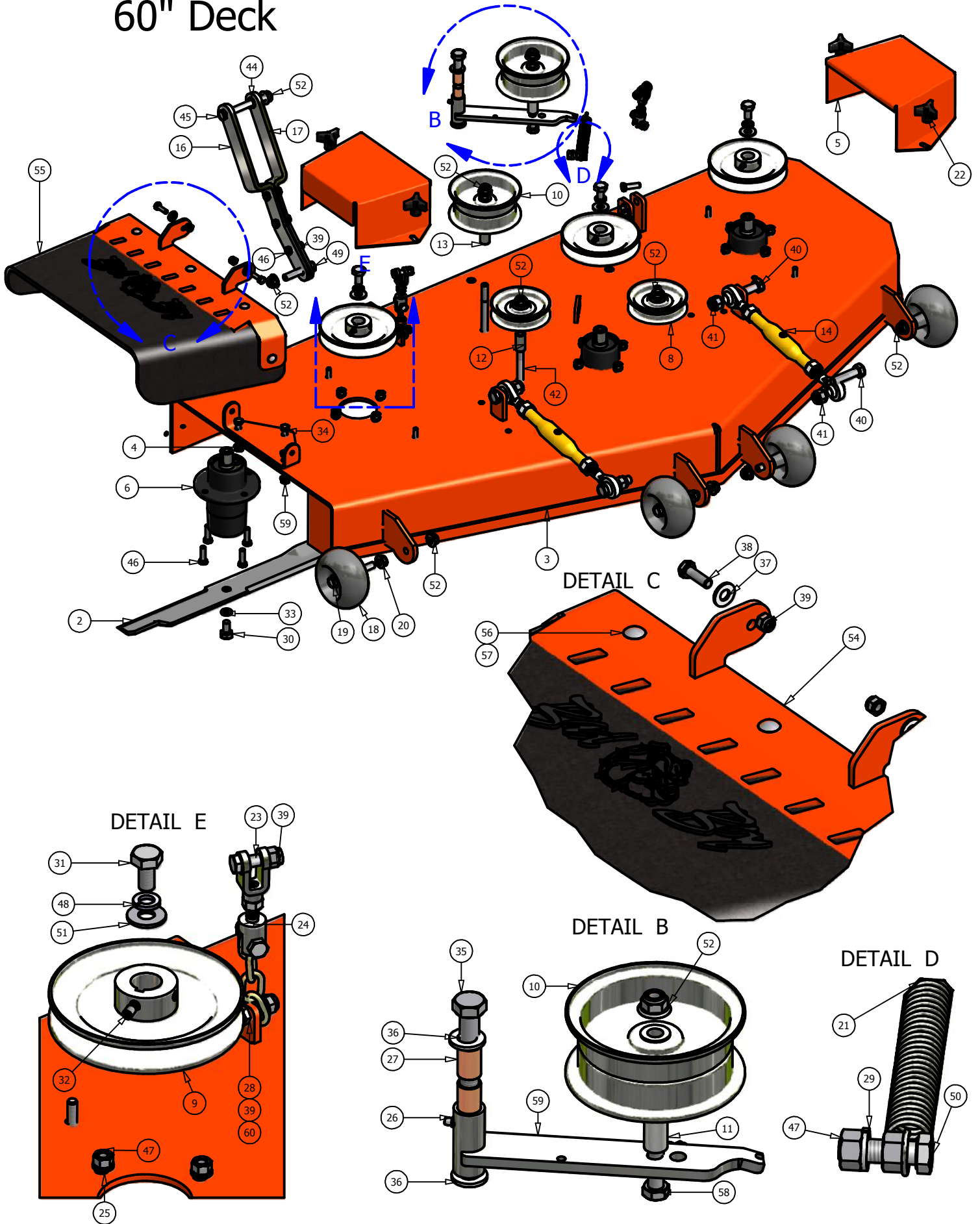
Parts List

ITEM	QTY	PART NUMBER	DESCRIPTION
1	1	015-5405-00	35hp Vanguard Engine
2	1	015-0003-00	27hp Kawasaki Engine with Donaldson Air Filter
3	5	019-8044-00	5/16" Flat Washer (35 Vanguard Only)
4	4	018-5344-00	5/16" x 2 1/2" Bolt (35 Vanguard Only)
5	4	019-8051-00	5/16" Lock Washer (35 Vanguard Only)
6	4	013-8043-00	5/16" Nut (35 Vanguard Only)
7	1	063-8019-00	Air Filter (Outer Canister)
8	1	063-8020-00	Air Filter (Inner Canister)
9	1	063-8018-00	Oil Filter (35hp Vanguard)
10	1	063-8017-00	Oil Filter (27hp Kawasaki)
11	1	018-5028-00	10mm x 552 Bolt (27hp Only)
12	1	019-8053-00	7/16" Lock Washer (27hp Only)
13	1	051-5400-00	Oil Drain Hose (35hp Vanguard)
14	1	051-5401-00	Oil Drain Hose (27hp Kawasaki)
15	1	036-5400-00	Oil Drain Adapter (35hp Vanguard)
16	1	036-5500-00	Oil Drain Adapter (27hp Kawasaki)
17	1	086-2004-00	27hp Kawasaki Wiring Harness
18	1	086-0031-00	35hp Vanguard Wiring Harness



Parts List			
ITEM	QTY	PART NUMBER	DESCRIPTION
1	2	033-7025-00	5" V Idler Pulley
2	2	025-7020-00	5/8" x 1/2" Collar Spacer
3	2	018-6059-00	5/8" x 2 1/2" Bolt
4	2	013-7021-00	5/8" Nylock Nut
5	1	029-7037-00	14" Bumper
6	2	029-7038-00	8" Bumper
7	6	019-7040-00	1/4" Flat Washer
8	6	030-7039-00	1/4" x 1 1/2" Self Tapping Screw

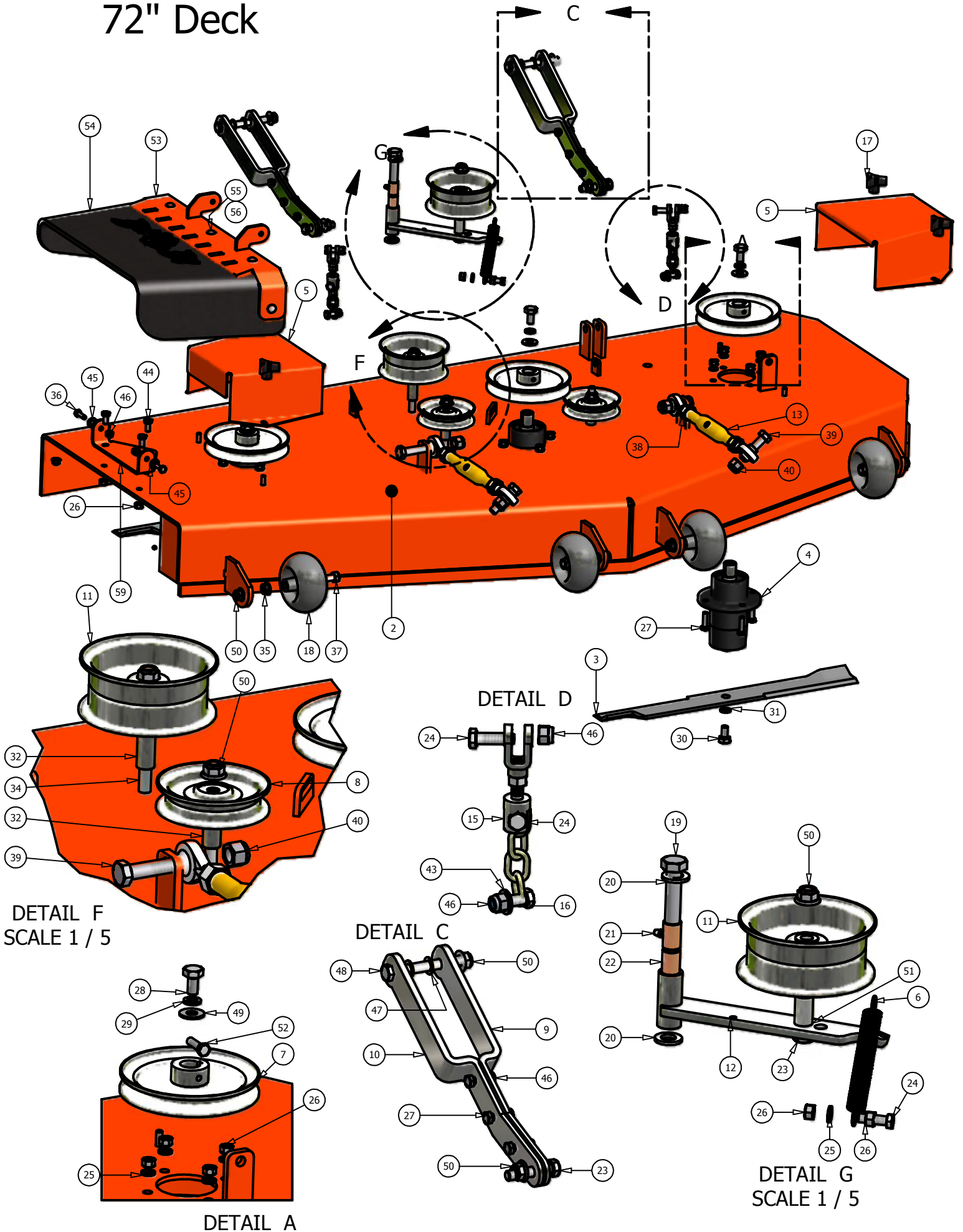
# 60" Deck



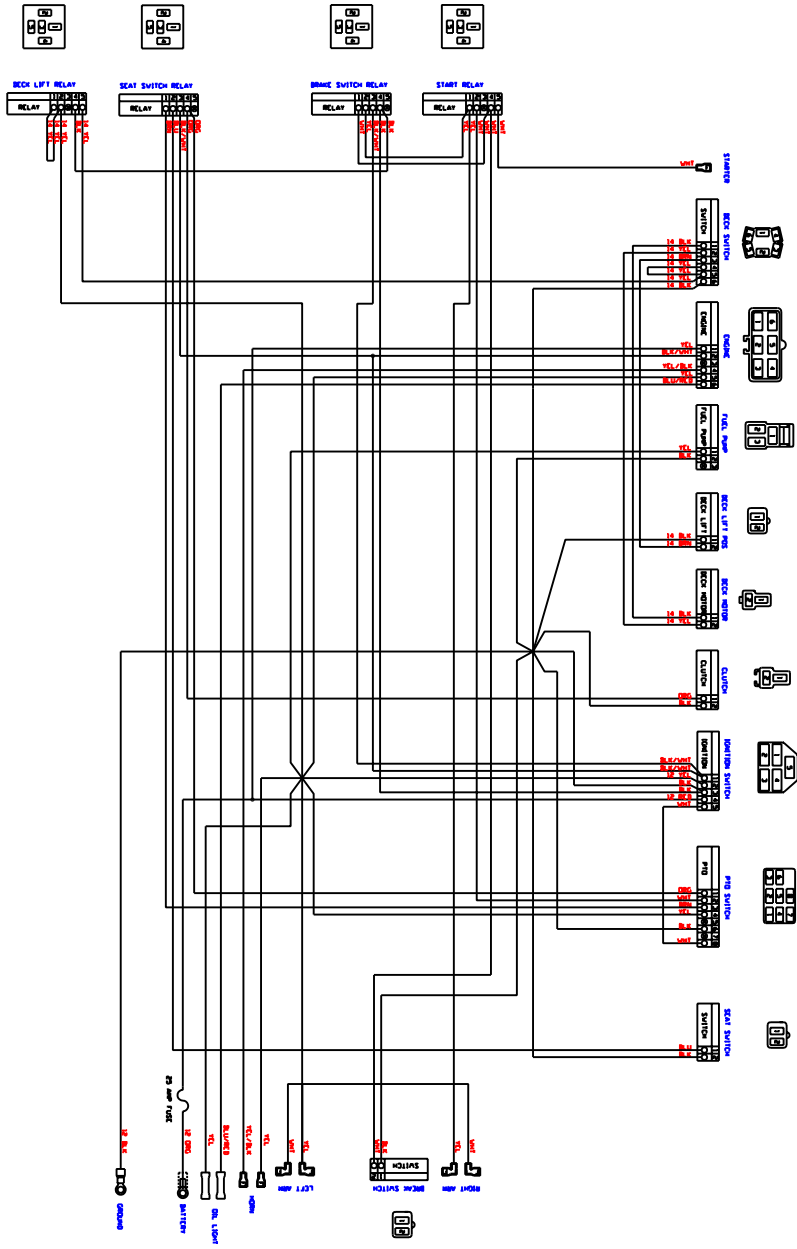
60 Inch Deck Parts List			
ITEM	QTY	PART NUMBER	DESCRIPTION
1	1	041-0219-00	60" Deck Belt
2	3	038-6060-00	60" Fusion Blade
3	1	060-5403-00	60" Deck
4	1	206-6017-00	Discharge Chute Hanger
5	2	014-6004-00	Pulley Guard
6	3	037-6015-00	Spindle
7	1	039-6936-00	Deck Idler Arm
8	2	033-6001-00	4 3/4" Idler Pulley
9	3	033-6004-00	6 1/4" Drive Pulley
10	2	033-5001-00	5 3/4" Flat Idler Pulley
11	1	025-5337-00	1 1/4" Pulley Spacer
12	2	025-5338-00	Pup Pulley Spacer
13	1	025-5339-00	1 3/4" Pulley Spacer
14	2	048-6056-00	Turnbuckle
15	2	013-6058-00	3/4" Left Handed Nut
16	2	031-6027-00	Deck Support Arm (left)
17	2	031-6028-00	Deck Support Arm (Right)
18	6	022-5234-00	Anti-Scalp Rollers
19	6	018-5019-00	1/2" x 4" Bolt (Grade 8)
20	6	013-5300-00	1/2" Flange Nut
21	1	034-9035-00	Deck Idler Spring
22	4	045-6043-00	5/16" Knob
23	2	046-6044-00	Female Yoke
24	2	046-6048-00	Male Yoke
25	2	047-6047-00	3" Chain
26	1	024-6034-00	Grease Fitting (Drive-In Type)
27	2	032-6033-00	5/8" ID x 1 1/8" Brass Bushing
28	2	018-6049-00	3/8" x 1" Hex Bolt
29	13	019-5037-00	3/8" Lock Washer
30	3	018-6021-00	5/8" x 1.5" Fine Threaded Bolt
31	3	018-5006-00	1/2" x 1 1/2" Bolt (Fine Threaded)
32	3	030-6029-00	3/8" Set Screw
33	3	019-4807-00	5/8" Lock Washer
34	3	018-5250-00	3/8" x 3/4" Hex Bolt
35	1	018-5311-00	5/8" x 4" Hex Bolt
36	2	019-6017-00	.635 ID Plastic Washer
37	2	019-6042-00	.360 ID Plastic Washer
38	2	018-5015-00	5/16" x 1" Hex Bolt
39	15	013-8047-00	5/16" Nylock Nut
40	4	018-6059-00	5/8" x 2 1/2" Hex Bolt
41	4	013-7021-00	5/8 Std NC Nylock Nut
42	3	018-6054-00	1/2" x 3 1/2" Bolt
44	4	019-5010-00	1/2" Brass Washer
45	2	018-7050-00	1/2" x 4 1/2" Bolt
46	18	018-5040-00	3/8" x 1 1/4" Hex Bolt
47	14	013-6014-00	3/8" Hex Nut
48	3	019-5007-00	1/2" Lock Washer
49	2	018-6036-00	1/2" x 2 1/2" Hex Bolt
50	5	018-6012-00	3/8" x 1 1/2" Hex Bolt
51	3	019-6020-00	1/2" Cupped Washer
52	13	013-8050-00	1/2" Flange Lock Nut
53	1	039-4863-00	2007 Lower Hanger Plate
54	1	039-4864-00	2007 Hanger Plate
55	1	210-6005-00	Rubber Side Discharge
56	5	018-5020-00	5/16" x 1 1/2" Carriage Bolt
57	5	013-8049-00	5/16" Nylock Flange Nut
58	1	018-7016-00	1/2" x 3" Bolt
59	3	013-5201-00	3/8" Flange Nut
60	1	019-5029-00	3/8" Flat Washer



# 72" Deck



72" Deck			
ITEM	QTY	PART NUMBER	DESCRIPTION
1	1	041-0236-00	72" Deck Belt-B189
2	1	060-7205-00	72" Deck
3	3	038-7230-00	72" Fusion Blade
4	3	037-6015-00	Spindle
5	2	014-7204-00	Pulley Guard
6	1	034-9035-00	Deck Idler Spring
7	3	033-7203-00	7" Deck Pulley
8	2	033-6001-00	4 3/4" Idler Pulley
9	2	031-6028-00	Deck Support Arm (Right)
10	2	031-6027-00	Deck Support Arm (Left)
11	2	033-5001-00	5 3/4" Flat Idler Pulley
12	1	039-6936-00	Deck Idler Arm
13	2	048-6056-00	Turnbuckle
14	2	046-6044-00	Female Yoke
15	2	046-6048-00	Male Yoke
16	2	047-6047-00	3" Chain
17	4	045-6043-00	5/16" Knob
18	6	022-5234-00	Anti-Scalp Rollers
19	1	018-5311-00	5/8" x 4" Hex Bolt
20	2	019-6017-00	.635 ID Plastic Washer
21	1	024-6034-00	Grease Fitting (Drive-In Type)
22	2	032-6033-00	5/8" ID x 1 1/8" Brass Bushing
23	2	018-6036-00	1/2" x 2 1/2" Hex Bolt
24	5	018-6012-00	3/8" x 1 1/4" Hex Bolt
25	13	019-5037-00	3/8" Lock Washer
26	17	013-6014-00	3/8" Hex Nut
27	18	018-5040-00	3/8" x 1 1/4" Hex Bolt
28	3	018-6019-00	1/2" x 1 1/2" Fine Thread Bolt
29	3	019-5007-00	1/2" Lock Washer
30	3	018-6021-00	5/8" x 1.5" Fine Threaded Bolt
31	3	019-4807-00	5/8" Lock Washer
32	2	025-5338-00	1 1/2" Pulley Spacer
33	1	025-5339-00	1 3/4" Pulley Spacer
34	1	018-6054-00	1/2" x 3 1/2" Bolt
35	6	013-5300-00	1/2" Flange Nut
36	6	018-5015-00	5/16" x 1" Hex Bolt
37	6	018-5019-00	1/2" x 4" Bolt (Grade 8)
38	2	013-6058-00	3/4" Left Handed Nut
39	4	018-6059-00	5/8" x 2 1/2" Hex Bolt
40	5	013-7021-00	5/8 Std NC Nylock Nut
41	2	013-6051-00	3/8" Fine Threaded Jam Nut
43	2	019-5029-00	3/8" Flat Washer
44	3	018-5250-00	3/8" x 3/4" Hex Bolt
45	2	019-6042-00	.360 ID Plastic Washer
46	14	013-8047-00	5/16" Nylock Nut
47	4	019-5010-00	1/2" Brass Washer
48	2	018-7050-00	1/2" x 4 1/2" Bolt
49	3	019-6020-00	1/2" Cupped Washer
50	14	013-8050-00	1/2" Flange Lock Nut
51	1	025-5337-00	1 1/4" Pulley Spacer
52	3	030-6029-00	3/8" Hex Bolt
53	1	039-4880-00	2007 Hanger Plate
54	1	210-6005-00	Rubber Side Discharge
55	5	018-5020-00	5/16" x 1 1/2" Carriage Bolt
56	5	013-8049-00	5/16" Nylock Flange Nut
57	1	039-4881-00	2007 Lower Hanger Plate
58	1	018-7016-00	1/2" x 3" Bolt
59	1	206-6017-00	2007 Lower Hanger Plate



ALL WIRTS MUST UNLESS NOTED OTHERWISE.

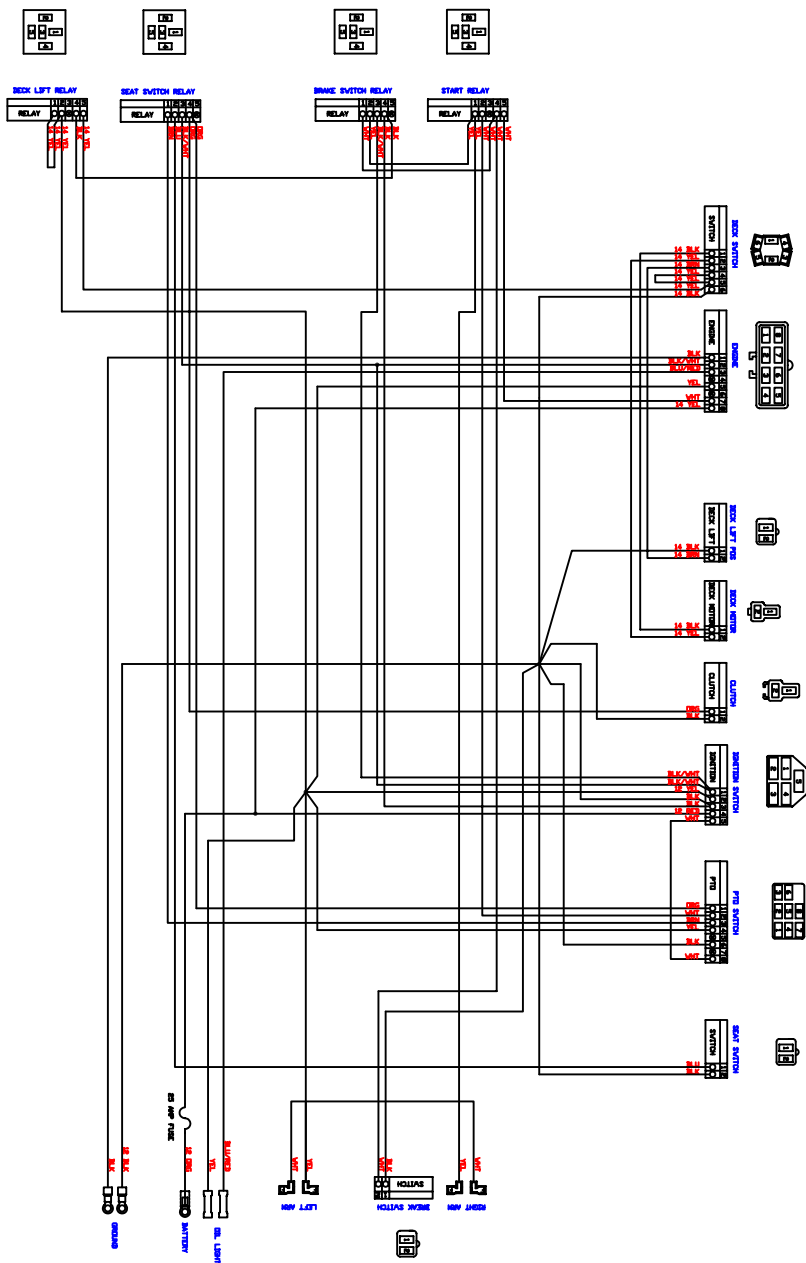
**ELECTREX, INC.**  
 AUTOMOBILE WIRING

CUSTOMER: \_\_\_\_\_  
 TRUCKER P/N: \_\_\_\_\_  
 Dwg TITLE: \_\_\_\_\_  
 Dwg P/N: \_\_\_\_\_

REV: \_\_\_\_\_  
 DATE: \_\_\_\_\_

DR: \_\_\_\_\_  
 DATE: \_\_\_\_\_

IF CHANGES ARE MADE TO THIS DRAWING, THE ORIGINAL DRAWING MUST BE KEPT AS A RECORD.



ALL VALUES 1604 UNLESS NOTED OTHERWISE.

ELECTREX, INC.  
 ANDOVER, MA  
 CUSTOMER: \_\_\_\_\_  
 THEIR P/N: \_\_\_\_\_  
 DATE: \_\_\_\_\_  
 DRAWN BY: \_\_\_\_\_  
 DATE: \_\_\_\_\_

THIS DRAWING AND THE INFORMATION CONTAINED HEREIN ARE THE PROPERTY OF ELECTREX, INC. AND ARE NOT TO BE REPRODUCED OR TRANSMITTED IN ANY FORM OR BY ANY MEANS, ELECTRONIC OR MECHANICAL, INCLUDING PHOTOCOPYING, RECORDING, OR BY ANY INFORMATION STORAGE AND RETRIEVAL SYSTEM.

Bad Boy, Inc.  
102 Industrial Drive  
Batesville, AR 72501  
1.866.622.3269  
[www.badboymowers.com](http://www.badboymowers.com)

### Technical Support:

James Russell  
**Extension 6638**  
Bill Hurst (bill@badboymowers.com)  
**Extension 6617**  
Brad Covington  
**Extension 6648**

### Warranty:

Dustin Tissiere (dustin@badboymowers.com)  
**Extension 6613**  
Bill Hurst (bill@badboymowers.com)  
**Extension 6617**

### Parts:

Brad Foree (brad@badboymowers.com)  
**Extension 6637**  
Robert Patterson (robert.patterson@badboymowers.com)  
**Extension 6649**