

4' • 5' • 6'

CUTTER

OWNER'S OPERATION & PARTS MANUAL

For additional information, please see us at
www.badboymowers.com

Bad Boy, Inc.
102 Industrial Drive
Batesville, Arkansas 72501

TO THE DEALER

Assembly, initial lubrication, and verification of proper installation of this product is the responsibility of the Bad Boy Cutter dealer. Be familiar with the safety rules and instructions found in this manual. Ensure all items on the Dealer's Pre-Delivery and Delivery Checklists in this manual are completed before releasing the cutter to the new owner. ***This cutter is sent from the factory without gearbox oil in the gearbox, or grease in the tailwheel.***

TO THE OWNER

Note: Anyone who operates your Bad Boy Cutter must first read this owners manual. Although this cutter has been engineered with safety and reliability as the foremost concerns, there is no substitute for an informed and cautious operator. This manual should be viewed as a part of the equipment itself. If this manual is lost, destroyed, or otherwise rendered unreadable, obtain a duplicate immediately. A duplicate can be obtained online at www.badboymowers.com. As with all machinery, this cutter requires periodic maintenance and should be kept free of debris buildup. Proper care will ensure many years of dependable service. Replacement parts should only be obtained from your Bad Boy Cutter dealer or through the website referenced above. Failure to utilize approved parts can be dangerous and will void the warranty.

LEA EL INSTRUCTIVO!

Si no lee Ingles, pida ayuda a alguien que si lo lea para que le traduzca las medidas de seguridad.

Three terms are utilized throughout this manual and are present on the cutter's safety decals:

DANGER, WARNING, and CAUTION.

- DANGER:** Indicates a hazardous situation that, if not avoided will result in death or serious injury.
WARNING: Indicates a hazardous situation that, if not avoided, could result in death or serious injury.
CAUTION: Indicates a hazardous situation that, if not avoided, could result in minor or moderate injury.

In order to better draw attention to these important safety messages, the above terms are accompanied with the following pictorial:



TABLE OF CONTENTS

SPECIFICATIONS	4
SAFETY RULES	7
GENERAL INFORMATION.....	10
OPERATION	10
OWNER SERVICE	15
TROUBLESHOOTING	20
CUTTER ASSEMBLY AND PART LIST.....	22
FASTENER TORQUE CHART	31
DEALER'S CHECKLISTS.....	32
PRODUCT WARRANTY	33

SPECIFICATIONS

Category	4' Bad Boy Cutter
Gear Box	40hp heavy duty
Gear Box Mount	3/8" steel
Deck Thickness	10 gauge solid welded
Skirt Thickness	10 gauge steel
Skid Shoes	1/4" Replaceable
Lift Attachment Brackets	1/2" solid welded
Tail-Wheel Arm	2-1/2"x2-1/2"x.180" designed to withstand rear tractor wheel lift off
Tail-Wheel	4" x 15" puncture resistant bushing style
Stump Jumper	12 splined, Standard duty, Pan style
Warranty	2 year limited
Weight	600 Lbs
Length (Including Tail-Wheel)	88"
Total Width	53 1/2"
Overall Height	36 1/2"
Deck Height	7"
Cut Range	2"-10"
PTO Drive Shaft	Series 4 shear bolt or series 4 slip clutch
Blades	1/2" x 3"
Tractor Range	24-40 HP
Cutting Capacity	2" diameter
Blade Tip Speed	13,093 feet / minute
3-Point Hitch	category 1
Blade Spindle	1
Tractor PTO RPM	540

SPECIFICATIONS

Category	5' Bad Boy Cutter
Gear Box	50hp heavy duty
Gear Box Mount	3/8" steel
Deck Thickness	10 gauge solid welded
Skirt Thickness	10 gauge steel
Skid Shoes	1/4" Replaceable
Lift Attachment Brackets	1/2" solid welded
Tail-Wheel Arm	2-1/2"x2-1/2"x.180" designed to withstand rear tractor wheel lift off
Tail-Wheel	4" x 15" puncture resistant bushing style
Stump Jumper	15 splined. heavy-duty, reinforced round stump jumper
Warranty	2 year limited
Weight	718 lbs
Length (Including Tail-Wheel)	104"
Total Width	65-1/2"
Overall Height	37"
Deck Height	7"
Cut Range	2"-10"
PTO Drive Shaft	Series 4 shear bolt or series 4 slip clutch
Blades	1/2" x 3"
Tractor Range	24-50 HP
Cutting Capacity	2" diameter
Blade Tip Speed	16,366 feet / minute
3-Point Hitch	category 1
Blade Spindle	1
Tractor PTO RPM	540

SPECIFICATIONS

Specifications	6' Bad Boy Cutter
Gear Box	75 HP heavy duty
Gear Box Mount	3/8" steel
Deck Thickness	10 gauge solid welded
Skirt Thickness	10 gauge steel
Skid Shoes	1/4" Replaceable
Lift Attachment Brackets	1/2" solid welded
Tail-wheel arm	2-1/2"x2-1/2"x.180" designed to withstand tractor rear wheel lift-off
Tail-wheel	4" x 15" puncture resistant, bearing style
Stump Jumper	15 splined. Heavy-duty, reinforced round stump jumper
Warranty	2 year limited
Weight	880 lbs
Length (including tail-wheel)	116"
Total Width	78"
Overall Height	37"
Deck Height	8 3/4"
Lowest Cutting Height	3"
PTO Drive Shaft	Series 6 Shear Bolt or Series 6 Slip Clutch (4 Disc)
Blades	1/2" x 3"
Tractor HP	35-72 HP
Cutting Capacity	2" diameter
Blade Tip Speed	14,856 feet/min
3-Point Hitch	Category 1
Blade Spindle	1
Tractor PTO RPM	540

SAFETY RULES

Note: (Safety instructions are important!! While these instructions may seem lengthy or redundant, they are presented for your safety)

TRAINING

- Almost all accidents arising from the use of equipment such as this that has resulted in injury or death would have been avoided had instructions such as these been adhered to.
- If you do not understand any part of this manual, contact your dealer for assistance.
- Dangerous situations can arise quickly. Know your controls and how to stop the engine and attachment in an emergency. Fractions of a second can be extremely important.
- Do not allow anyone to operate the equipment without first requiring them to read this manual and giving proper instruction.
- Never allow children (< 16 years of age) or untrained persons to operate the equipment.

PREPARATION

- Check that all hardware is properly installed.
- Loose clothing can become caught in moving parts. Entanglement with the rotating PTO shaft is the #1 cause of death and injury with equipment such as this. Always wear relatively tight and belted clothing to reduce this risk.
- Wear sturdy, rough-soled work shoes and protective equipment for eyes, hair, hands, hearing, and head. Wear a respirator or filter mask where appropriate.
- Make sure the cutter is properly secured, adjusted, lubricated, and in good operating condition.
- Make sure spring-activated locking pin slides freely and is seated firmly in tractor PTO spline groove.
- Connect PTO driveline directly to power unit PTO shaft. Never use adapter sleeves or adapter shafts. Adapters can cause drive-line failures.
- Before starting power unit, check drive-line guards for damage. Do not operate without replacing any damaged guards. Ensure the guards rotate freely on the drive-line. If they do not, repair or replace bearings before operating the cutter.
- Tractor must be equipped with Roll-Over Protective Structure (ROPS) or ROPS cab and seat belt. ALWAYS keep seat belt securely fastened. Falling off the tractor can, and does, result in death. Keep foldable ROPS system in 'locked up' position at all times.
- Inspect guards before use. Replace if damaged. DO NOT OPERATE the cutter without guards in place.
- Accumulation of debris can present hazards. Remove accumulated debris from the cutter and tractor before use.
- Make sure all safety decals are installed and free from damage. Replace if damaged.
- A minimum of 20% of tractor and equipment weight must be on the tractor front wheels when attachments are in transport position. Without this weight, front tractor wheels could raise up resulting in loss of steering. The weight may be attained with front wheel weights, ballast in tires or front tractor weights. Weigh the tractor and equipment, do not estimate.

-
- Inspect and clear the area of stones, branches, or other hard objects that might be thrown, causing injury or damage.

OPERATION

- Do not allow bystanders in the area when operating, attaching, removing, assembling, or servicing the cutter.
- This machine is equipped with front and rear guards. DO NOT operate the machine without the guards in place.
- Never direct discharge toward people, animals, or property.
- Do not operate or transport equipment while under the influence of alcohol or drugs.
- Operate only in daylight or good artificial light.
- Keep hands, feet, hair, and clothing away from equipment while engine is running. Stay clear of all moving parts.
- Always comply with all state and local lighting and marking requirements.
- **NEVER ALLOW RIDERS ON POWER UNIT OR CUTTER!**
- Always sit in the tractor seat when operating controls or starting engine. Securely fasten seat belt, place transmission in neutral, engage brake, and ensure all other controls are disengaged before starting tractor engine.
- Operate tractor PTO at 540 RPM. Do not exceed 540 RPM.
- Do not operate PTO during transport.
- Look down and to the rear and make sure area is clear of people, animals, property, or foreign objects before operating in reverse. Children often do not understand the severity of the potential danger. A major portion of mower/cutter accidents involve children being ran over during reverse operation of the mower/cutter.
- Do not operate or transport on steep slopes.
- Do not stop, start, or change directions suddenly on slopes.
- Use extreme care and reduce ground speed on slopes and rough terrain.
- Watch for hidden hazards on the terrain during operation.
- Stop tractor unit and equipment immediately upon striking an obstruction. Turn off engine, remove key, inspect, and repair any damage before operation resumes.
- Leak down or failure of mechanical or hydraulic system can cause equipment to drop.
- Make certain all movement of equipment components has stopped before exiting the tractor.

MAINTENANCE

- Before performing any service or maintenance, disconnect drive-line from tractor PTO.
- Before working underneath the equipment, disconnect drive-line, raise cutter, and block cutter securely. Hydraulic system leak down and failure of mechanical or hydraulic system can cause equipment to drop.

- Do not allow bystanders in the area when operating, attaching, removing, assembling, or servicing equipment.
- Keep all persons away from operator control area while performing adjustments, service, or maintenance.
- Do not modify or alter (or permit anyone else to modify or alter) the equipment or any of its components in any way.
- Always wear relatively tight and belted clothing to avoid getting caught in moving parts. Wear sturdy, rough-soled work shoes and protective equipment for eyes, hair, hands, hearing, and head.
- Make certain all movement of equipment components has stopped before approaching for service.
- Frequently check blades. They should be sharp, free of nicks and cracks, and securely fastened.
- Do not handle blades with bare hands. Always use gloves. Careless or improper handling may result in serious injury.
- Your dealer can supply genuine replacement blades. Substitute blades may not meet original equipment specifications and may be dangerous.
- Check that the cotter pin and roll pin (gearbox output shaft and through the top of the tail-wheel shaft) are installed securely to ensure equipment is in a safe condition before placing cutter into service.

STORAGE

- Keep children and bystanders away from storage area.
- Disconnect cutter driveshaft and secure up and off the ground. Raise cutter with 3- point hitch. Place blocks under cutter side skirts. Lower cutter onto blocks. Disconnect cutter from tractor 3- point hitch and carefully drive tractor away from cutter.

CHILDREN

Extremely tragic accidents can, and do, occur if the operator is not continually alert to the presence of children. Children are often attracted to machinery and the mowing activity. NEVER assume that children will remain where you last saw them.

- Keep children out of the mowing area and under the watchful care of responsible adult other than the operator.
- As this machine is capable of, and used for, cutting relatively tall grass, always be vigilant in monitoring the field ahead. Accidents in which children were obscured by tall grass and not easily seen by the operator have occurred with equipment of this type. The results are often life shattering for all involved. Be constantly aware during operation!
- Immediately turn the equipment off if a child enters the area.
- Never allow children to operate the equipment (<16 years of age).
- Use extra care when approaching blind corners, shrubs, trees, or other objects that may block your view of a child.

GENERAL INFORMATION

WARNING

The purpose of this manual is to assist you in operating and maintaining your cutter. Read it carefully. It furnishes information and instructions that will help you achieve years of dependable performance. These instructions are the product of extensive field experience, engineering data, accident reports, and statistical data. Although some information may be general in nature due to unknown and varying operating conditions, through experience and adherence to these instructions, you should be able to develop sound operating procedures suitable to your particular situation.

The illustrations and data used in this manual were current at the time of printing, but due to possible running changes, your machine may vary slightly in detail. Bad Boy Cutters reserves the right to redesign and change the machines as necessary without notification.

Throughout this manual, references are made to right and left sides of the equipment. These directions are determined by standing behind the equipment. Also, blade rotation is counterclockwise. This direction is as viewed from the top of the cutter.

OPERATION

The operator is responsible for the safe operation of the cutter. The operator must be properly trained. Operators should be familiar with the cutter, the tractor utilized, and all safety practices before starting operation.

This standard-duty cutter is designed for grass, weeds, and small brush. Recommended mowing speed for most conditions is between 2-5 mph.

DANGER

This machine is equipped with front and rear guards. DO NOT operate the machine without the guards in place.

ATTACH CUTTER TO TRACTOR

CAUTION

- **Make sure drive-line will not bottom out at the shortest length and that it has at least 1/3 overlap at its longest length.**
 - **Select a top link mounting pin that will allow floating link to swing freely through the cutter A-frame bars.**
1. Attach tractor 3-point lift arms to the cutter hitch pins and secure.
 2. Attach tractor top link to cutter clevis. Select a top link mounting pin that will allow floating link to swing freely through the cutter A-frame bars. NOTE: You will need to adjust the top link; refer to 'Top Link Adjustment' in the next section.
 3. Adjust the tractor lower 3-point arm anti-sway devices to prevent cutter from swinging side-to-side during transport.

TOP LINK ADJUSTMENT

1. Attach tractor top link to lowest hole provided in the tractor's top link bracket.
2. Attach rear portion of tractor top link to the hole on the cutter floating link. Select a top link mounting pin that will allow the floating link to swing freely through the cutter A-frame bars.
3. Raise cutter to transport position and adjust tractor top link until cutter is level in the raised position.
4. If you cannot level the cutter using the lowest hole in the tractor's top link bracket, move top link to the next hole and level the cutter.

DRIVELINE INSTALLATION (TRACTOR PTO)

WARNING

Make sure spring-activated locking pin slides freely and is seated firmly in tractor PTO spline groove.

INSTALLATION

Push spring-activated locking pin and at the same time, push the driveline onto tractor PTO shaft until the locking pin is able to engage the shaft.

REMOVAL

Hold driveline securely in position, push the spring-activated locking pin and slide driveline off tractor PTO shaft.

DRIVELINE ADJUSTMENT

Attach the cutter to the tractor 3-point hitch. Do not attach driveline. Raise and lower cutter to determine maximum and minimum distance between the tractor PTO shaft and the gearbox input shaft. If the distance is too large, the driveline will be too short for proper engagement; this can damage the driveline during operation. If the distance is too small, the driveline may bottom out during operation and damage the cutter or tractor. If the driveline is too short, please call your Bad Boy Cutter dealer for a longer driveline.

If the driveline is too long, follow the instructions below for shortening the driveline.

SHORTEN DRIVELINE

1. Move the cutter up and down to find the shortest possible distance between tractor PTO shaft and gearbox input shaft.
2. Separate the driveline into its two halves and connect them to the tractor PTO and gearbox.
3. Place driveline halves parallel to one another in order to find the necessary driveline length reduction.
4. Measure from the end of the shield (tractor half) to the base of the bell shield (cutter half; see figure below). This is measurement 'A' in the figure. Add 1-9/16" to measurement 'A'.
5. Using a hacksaw, cut the overall length from the end of the plastic, cylindrical driveline shield (tractor half) as indicated in the figure.
6. Place this cutoff portion of the shield against the metal shaft (of the same driveline half) and use as a guide. Mark and cut the metal shaft.
7. Repeat step 6 for the other half of the drive.
8. File and clean the cut ends of both drive halves.



Do not use tractor if proper driveline engagement cannot be obtained through these methods.

Connect driveline to tractor PTO shaft, making sure the spring-activated locking pin slides freely and locks driveline to PTO shaft.

DRIVELINE INTERFERENCE CHECK

1. Check for clearance between driveline and cutter deck.
2. Slowly lift cutter and observe driveline. If clearance between driveline and cutter deck is less than one inch, shorten top link or limit upper travel of lower hitch arms.

CUTTING HEIGHT ADJUSTMENT



- **Keep all persons away from operator control area while performing adjustments, service, or maintenance.**
 - **Avoid low cutting heights when at all possible. Striking the ground with a cutter blade during operation results in one of the most damaging shock loads a cutter can encounter. Repeated blade/ground contact will cause damage to the cutter and drive.**
1. Level cutter from side to side. Check by measuring from cutter frame to the ground on both sides.
 2. Adjust, using tractor 3-point arm leveling device.
 3. Control cutting height with tractor 3-point arms and the rear tail-wheel adjustment.
 4. To raise rear of cutter, move tail-wheel arm downward.
 5. To raise front of cutter, raise tractor 3-point arms.

The cutting height is the distance between the blade and the ground. The blades on your cutter are approximately 5" below the deck; your deck is (7" on 4', 5' and 8 1/2" on 6') tall. If, for instance, you would like a 3" cut, raise the cutter until its deck is 8" above the ground; if you would like a 4" cut, raise the cutter until its deck is 9" above the ground, and so on. For best cutting results, the front of the cutter should be slightly lower than the rear. The rear of the cutter should be approximately 1/2" to 3/4" higher than the front.

OPERATING TECHNIQUE

- The operating power for the cutter is provided by the tractor's PTO. Operate the PTO at 540 RPM (never exceed). Know how to stop the tractor and cutter quickly and safely in the event of an emergency.
- Engage the PTO at a low engine RPM. Engagement of the PTO at high engine RPM places the driveshaft and gearbox under large stresses. After the PTO is engaged, raise PTO speed to 540 RPM. Maintain this PTO speed throughout the cutting operation.
- Gearbox protection is provided by way of a slip-clutch or shear-bolt (depending upon model). This allows the driveline to either 'slip' or shear a bolt under excessive torsion loads. It is in this manner that the gearbox is isolated from potentially damaging shocks. Under abnormal torque loads, both models also provide protection to the driveline itself. Slip-clutches require service to keep them fully functional. A neglected slip-clutch is akin to having no protection at all as they can lose their ability to slip. **Always use SAE grade 2 bolts for shear-bolt models.** Do not use bolts of a higher grade. These bolts are significantly stronger than grade 2 and will transfer damaging shocks to the gearbox and driveline by failing to shear when necessary.

-
- Move slowly into material. Adjust tractor ground speed to provide a clean cut without lugging the tractor engine. Proper ground speed will depend on the terrain and the material's height, type, density, and moisture content. The operator will be able to determine appropriate ground speeds for different conditions. Normal ground speed ranges from between 2 and 5 mph.
 - Under certain conditions, the tractor tires may push the grass down. This can result in an uneven cut. When this occurs, reduce your ground speed, but maintain the PTO at 540 RPM. Lowering your travel speed will allow the grass more time to rebound.

STORAGE

WARNING

- **Disconnect cutter driveshaft and secure up off the ground. Raise cutter with 3-point hitch. Place blocks under cutter skirt. Slowly lower the cutter onto the blocks. Disconnect the cutter from the tractor 3-point hitch and carefully drive tractor away from cutter.**
- **Before leaving the area, check to ensure the cutter is stable.**
- **Keep children and bystanders away from the storage area.**

PRE-OPERATION CHECKLIST

OWNER/OPERATORS RESPONSIBILITY!

- Review and follow all safety rules ([pages 6-8]) and machine safety decals.
- Ensure the equipment is properly and securely attached to the tractor.
- Make sure driveline spring-operated locking pin slides freely and is seated firmly in tractor PTO spline groove.
- Lubricate all grease fitting locations. Make sure PTO shaft slip joint is lubricated.
- Check to be sure gear lube runs out the small check plug on the side of the gearbox.
- Check that all hardware is properly installed and secured.
- Check that blades are sharp, secure, free of cracks, and that the cutting edge is positioned to lead in a counterclockwise rotation (as viewed from the top of the unit).
- If using shields or guards, check that they are properly installed and in good condition. Replace if damaged.
- Check cutting height, front-to-rear attitude, and top link adjustment.
- Place tractor PTO and transmission in neutral before starting engine.
- Inspect area to be cut and remove stones, branches, or other hard objects that may be thrown and cause injury or damage.

OWNER SERVICE

The information in this section is written for operators who possess basic mechanical skills. If you need help, your dealer has trained service technicians available. For your protection, read and follow the safety information in this manual.

WARNING

- **Keep all persons away from operator control while performing adjustments, service, or maintenance.**

CAUTION

- If you do not understand any part of this manual and need assistance, see your dealer.
- Always wear relatively tight and belted clothing to avoid getting caught in moving parts. Wear sturdy, rough-soled work shoes and protective equipment for eyes, hair, hands, hearing and head.

BLOCKING METHOD

WARNING

- **Before performing any service or maintenance, disconnect driveline from tractor PTO.**
- **Never go underneath equipment (lowered to the ground or raised) unless it is properly blocked and secured. Never place any body part underneath equipment or between moveable parts even when the engine has been turned off. Hydraulic system leak down, hydraulic system failures, mechanical failures, or movement of control levers can cause equipment to drop or rotate unexpectedly and cause severe injury or death. Follow Operator's Manual instructions for working underneath and blocking requirements or have work done by a qualified dealer.**

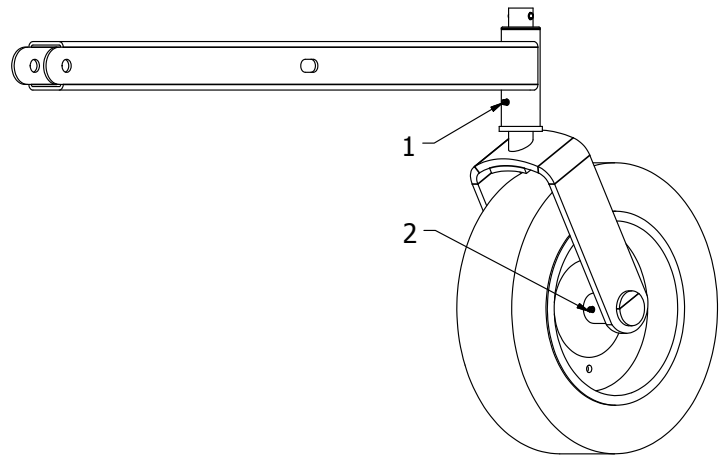
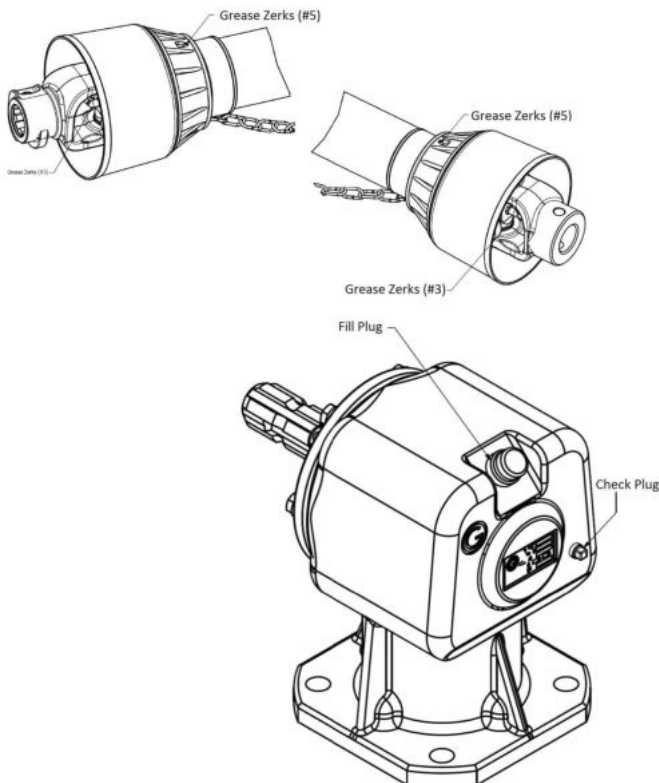
To minimize the potential hazards of working underneath the cutter, follow these procedures.

1. Jack stands (4) with a load rating of at least 1000 lbs. are the only approved blocking device for this cutter. Install a minimum of four jack stands, one under each corner of the cutter before working underneath the unit. Do not position jack stands under wheels, axles, or wheel supports. Components can rotate and cause the cutter to fall.
2. Consider (and check) the overall stability of the blocked unit before working underneath. The working surface must be level and solid to properly support the jack stands while they are supporting the cutter. Make sure the cutter is approximately level.

3. With full cutter weight lowered onto jack stands, test the blocking stability carefully, but vigorously, to ensure its stability.
4. If cutter is attached to tractor when blocking, set the brakes, remove the key, and block the cutter before working underneath. Also, securely chock the rear tractor wheels (both in front and behind) and tighten the tractor's lower 3-point arm anti-sway mechanism to prevent side-to-side movement.

LUBRICATION

1. Do not allow excess grease to collect on or around parts, particularly when operating in sandy areas.
2. See figures below for lubrication points and frequency of lubrication based on normal operating conditions. Severe or unusual conditions may require more frequent lubrication.
3. Use a lithium grease of #2 consistency with a MOLY (molybdenum disulfide) additive for all locations unless otherwise noted. Be sure to clean fittings thoroughly before attaching grease gun. One good pump from most guns is sufficient when the lubrication schedule is followed.
4. Equipment is shipped without gear oil in the gearbox. Your gearbox needs 32 oz. of SAE gear oil; 75W-90 is recommended for ambient temperatures of -5F to 60F, 85W-140 is recommended for ambient temperatures of 40 F to 120 F. The oil level will be at the same level as the horizontal input shaft when filled properly. The gearbox has a side plug that is designed to allow for oil level checks. If oil runs out of the hole when the plug is removed, the oil level is sufficient.



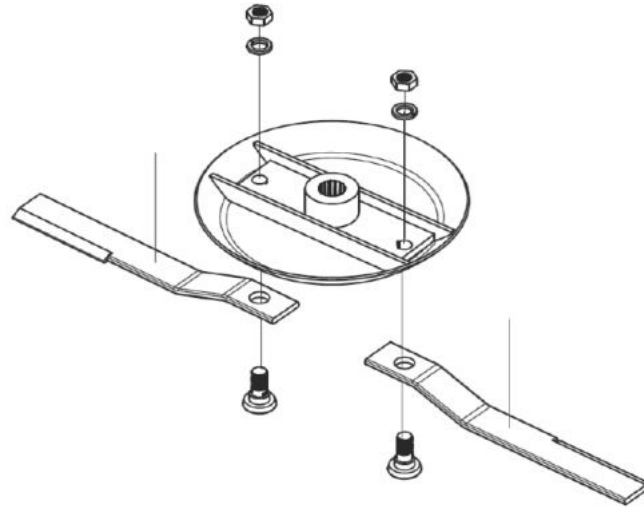
LUBRICATION POINTS

1. Tail-wheel pivot tube8 hours
2. Tail-wheel8 hours
3. PTO shaft: front and rear U-joints8 hours
4. PTO shaft: slip joint (apply grease to inner shaft).....8 hours
5. PTO shaft: plastic shield bearings8 hours
6. Gearbox (check oil)Daily

BLADE

SERVICING

Blade Removal



If blade bolt is seized in stump jumper's crossbar and extreme force will be needed to remove it, support crossbar from below to prevent gearbox damage.

1. Disconnect driveline from tractor PTO.
2. Raise cutter and block securely.
3. Align the crossbar of the stump jumper with blade access hole in the cutter frame. Remove blade bolt nut and lock washer. Carefully drive bolt out of crossbar.
4. Rotate and repeat for the second blade.

Blade Installation

CAUTION

- Your dealer can supply genuine replacement blades. Substitute blades may not meet original equipment specifications and may be dangerous.
- Blade rotation is counterclockwise when looking down on the cutter. Be sure to install blade cutting edge to lead in counterclockwise rotation.
- Always replace or sharpen both blades at the same time. Failure to do this could result in an imbalance which can cause the cutter to vibrate violently.

1. Inspect the blade bolts for nicks or gouges and, if found, replace the damaged blade bolt(s).
2. Insert blade bolt through the blade. Blade should swivel on blade bolt; if it doesn't, determine the cause and correct.
3. Align crossbar with blade access hole in cutter frame. Apply a liberal coating of an anti-seize product to the blade bolt and crossbar hole. Make sure blade offset is away from cutter. Push blade bolt through crossbar.
4. Insert lock washer and nut through blade access hole in the cutter deck. Install on blade bolt and tighten to 450 ft-lbs using a 1-11/16" socket.

Blade Sharpening

- Closely inspect blades for cracks or nicks. If damage is found, replace blades in pairs.
 - When sharpening blades, grind the same amount on each blade to maintain balance. Replace blades in pairs. Unbalanced blades will cause excessive vibration, which can damage gearbox bearings.
1. Sharpen both blades at the same time to maintain balance. Follow original sharpening pattern.
 2. Do not sharpen blade to a razor edge: leave at least a 1/16" blunt edge.
 3. Do not sharpen back side of blade.

SLIP-CLUTCH ADJUSTMENT

The slip-clutch (if equipped) is designed to slip so that the gearbox and the driveline are protected if the cutter blades strike an obstruction.

A new slip clutch or one that has been in storage over the winter may seize, rendering the shaft and gearbox completely unprotected. Before operating the cutter, make sure it will slip by performing the following operation:

1. Turn off tractor and remove key.
2. Loosen nuts on springs until the springs can rotate freely, yet remain secure on the bolts.
3. Make in-line marks on the outer plates of the slip-clutch.
4. Securely attach cutter to the tractor and start the tractor.
5. Engage the PTO for several seconds then quickly disengage it.
6. Turn tractor off and remove key.
7. The friction plates should have "slipped." If the marks made previously are no longer in-line with each other, this is the case.
8. If the clutch does not slip, check assembly for oil, grease, and debris.
9. Reassemble clutch and tighten bolts no more than 1/8 of a turn at a time until the desired setting of 1.15" spring length is reached.
10. If excessive slippage continues, check lining plates for excessive wear. The slip plates are 1/8" thick when new. They should be replaced after 1/32" of wear to ensure proper operation.

DRIVELINE SHEAR-BOLT REPLACEMENT

- Always use a 1/2" x 3-1/4" SAE grade 2 bolt as a replacement part. Using a hardened bolt (such as grade 5 or grade 8) may result in damage to driveline or gearbox.
1. Slide the driveline bell shield (covers the U-joint of the PTO shaft and input shaft of gearbox) back along the driveline guard. This is accomplished by depressing the 3 tabs (just inside the holes provided) at the base of the bell and sliding the bell shield back over the cylindrical guard.
 2. Remove the damaged shear bolt.
 3. Rotate the driveline to align the holes in the yoke with the hole in the input shaft of the gearbox. Install shear bolt and secure with nylock nut.
 4. Ensure that the retaining ring is set properly in the groove on the input shaft of the gearbox.
 5. Slide the bell shield back over the three tabs at its base, ensuring that the tabs snap back into position.

SHIELDING REPAIR



- This machine is equipped with front and rear guards.
- DO NOT operate the machine without the guards in place.

Rubber Shielding

Inspect rubber shielding each day of operation and replace if bent, cracked or broken.

Chain Shielding

Inspect chain shielding each day of operation and replace any broken or missing chains as required.

CLEANING

After Each Use

- Remove large debris (clumps of dirt, grass, crop residue, etc.) from machine.
- Inspect machine and replace worn or damaged parts.
- Replace any missing, damaged, or otherwise unreadable safety decals.

Periodically or Before Extended Storage

- Clean large debris (clumps of dirt, grass, crop residue, etc.) from machine.
- Remove the remainder using a low-pressure water spray.
 1. Take extra care when spraying near safety decals. The water spray could penetrate under the decal and peel it off.
 2. Be careful when spraying near any paint damage. The spray could remove more paint.

- Inspect the cutter and replace any worn or damaged parts. After an extended period of non-use, any damage to the cutter may be overlooked, or forgotten, when the machine is again put into service.
- Sand down scratches and the edges of areas of missing paint and coat with Bad Boy touch-up paint.
- Replace any missing, damaged, or otherwise unreadable decals.

TROUBLESHOOTING

PROBLEM	POSSIBLE CAUSE	SOLUTION
Grass is cut lower in the center of the path than at the edge.	Height of cutter is too low at rear or front.	Adjust cutter height and attitude so that cutter rear and front are within ½" of same height.
Streaking conditions in path.	Conditions too wet for mowing.	Allow grass to dry before mowing.
	Blades unable to cut grass pressed flat by tractor tires.	Slow ground speed of tractor but keep PTO running at 540 RPM.
	Dull Blades	Sharpen or replace blades.
Material discharges from cutter unevenly; material bunches along path.	Material too high and dense.	Reduce ground speed (maintaining 540 RPM tractor PTO) or make two passes. Raise cutter for the first pass; then lower cutter to desired height and cut perpendicular to the first passes.
	Grass wet.	Allow grass to dry before mowing.
	Rear of cutter too low, trapping material under cutter.	Adjust cutter height and attitude.
Cutter no longer cuts at all (Shear bolt model).	Shear-bolt has sheared.	Install new shear-bolt.
Cutter will not cut all the time (Slip-clutch model).	Slip-clutch excessively slipping.	Adjust slip-clutch according to instructions under 'SLIP-CLUTCH ADJUSTMENT' section of this manual.

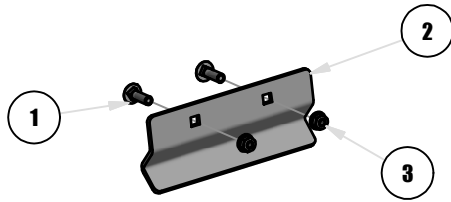
ASSEMBLY INSTRUCTIONS

Note: Use cutter part list and accompanying illustration located in the previous section to reference item numbers indicated in the assembly instructions. Item numbers are in parenthesis. Partial or full assembly of the cutter may have been performed prior to purchase.

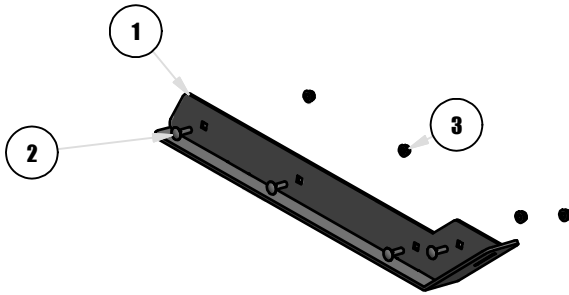
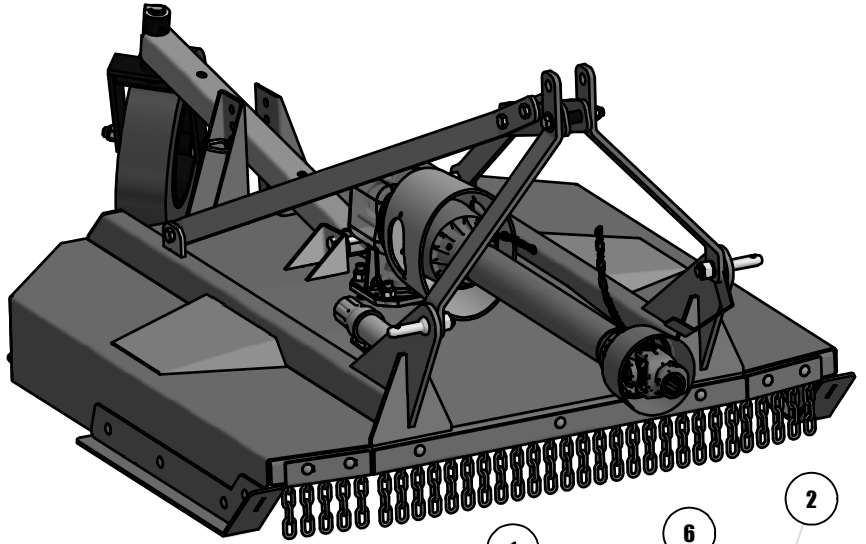
1. Attach Front Hitch Braces to the hitch points located at the front of 5' Cutter Deck Assembly with Category 1 Lift Pins. The braces should be on the inside of the hitch points, with the lift pins on the outside. Do not tighten.
2. Insert 5/8" x 4 3/4" Hex Bolt through the following parts in the order given: 5/8" Flat Washer, A-arm Cat 1, Top Link, 2.5" Hinge Spacer. At this point, slide Hinge Spacer through the larger holes of Top Link, Cutter Hitch arm, A-arm Cat1, 5/8" Flat Washer. Secure with 5/8" Nylock Nut. Do not tighten.
3. Insert 5/8" x 2" Hex Bolt through the 5/8" hole in the frame tab of 5' Cutter Deck Assembly. Secure with 5/8" Nylock Nut. Do not tighten. Repeat step #3 for the right side.
4. Attach the front of the Tail Wheel Tube using 5/8" x 4.5" Hex Bolt, and 5/8" Nylock Nut to the forward mount on the deck. Attach the Tail Wheel Tube to the rear mount of the deck using the 5/8" x 4" Lynch Pin.
5. Insert post of the Tail Wheel Assembly through the following parts in the order given: Tail Wheel Tube entering from the bottom of the tube 1-1/4" Flat Washer. Secure by inserting the tail wheel roll pin through hole in post of the Tail Wheel Assembly.



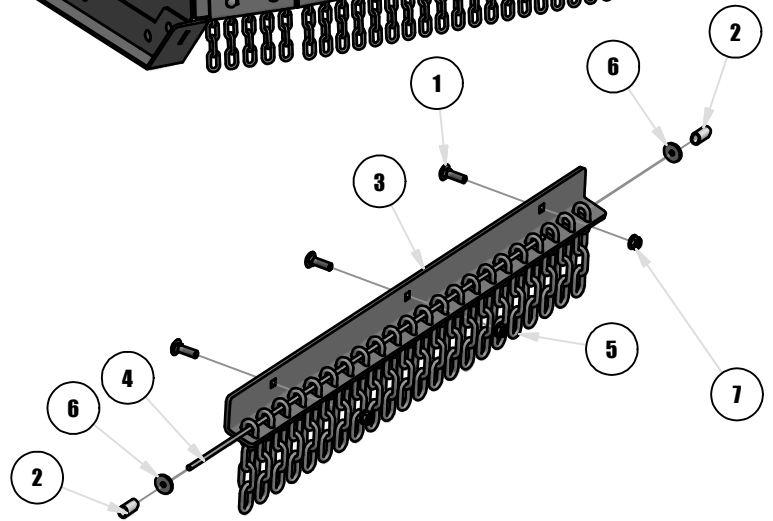
PARTS SECTION: 4' Cutter Assembly



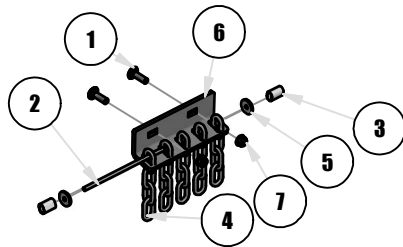
Parts List			
ITEM	QTY	PART NUMBER	DESCRIPTION
1	4	018-5043-00	3/8" x 1 1/4" Carriage Bolt
2	2	339-0063-00	4ft side armor
3	4	013-5202-00	3/8" Nylock Flange Nut



Parts List			
ITEM	QTY	PART NUMBER	DESCRIPTION
1	2	301-0007-00	Replacable Skid Weldment ⁵
2	8	018-5043-00	3/8" x 1 1/4" Carriage Bolt
3	8	013-5202-00	3/8" Nylock Flange Nut



Parts List			
ITEM	QTY	PART NUMBER	DESCRIPTION
1	3	018-5043-00	3/8" x 1 1/4" Carriage Bolt
2	2	358-0001-00	3/16" Stop Sleeve
3	1	339-0058-00	4'Chain Guard Front Middle
4	1	364-0006-00	2018 4' middle cable
5	22	347-0001-00	4 Link Chain
6	2	319-0005-00	1/4" Flat Washer thick
7	3	013-5202-00	3/8" Nylock Flange Nut

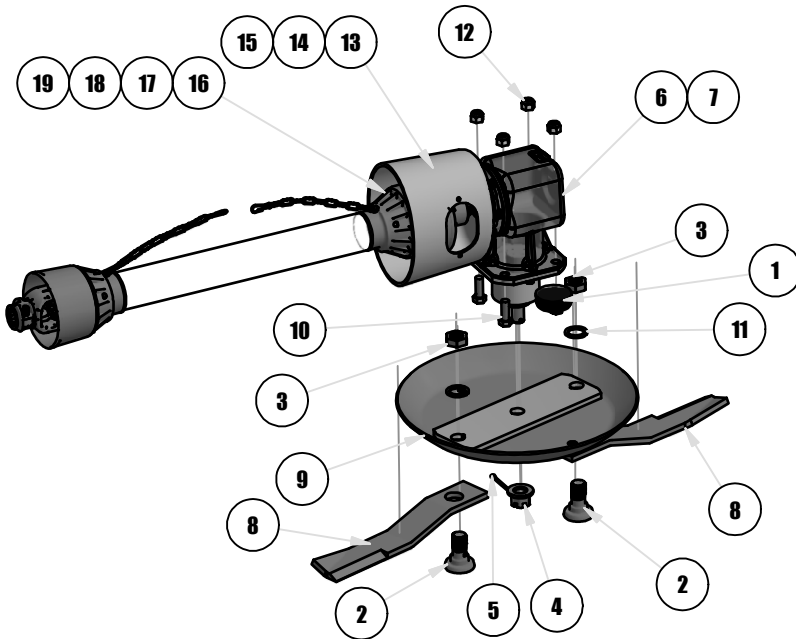


Parts List			
ITEM	QTY	PART NUMBER	DESCRIPTION
1	4	018-5043-00	3/8" x 1 1/4" Carriage Bolt
2	2	364-0003-00	2018 4' angle cable
3	4	358-0001-00	3/16" Stop Sleeve
4	10	347-0001-00	4 Link Chain
5	4	319-0005-00	1/4" Flat Washer thick
6	2	339-0056-00	Chain Guard Front Angle ⁴
7	4	013-5202-00	3/8" Nylock Flange Nut

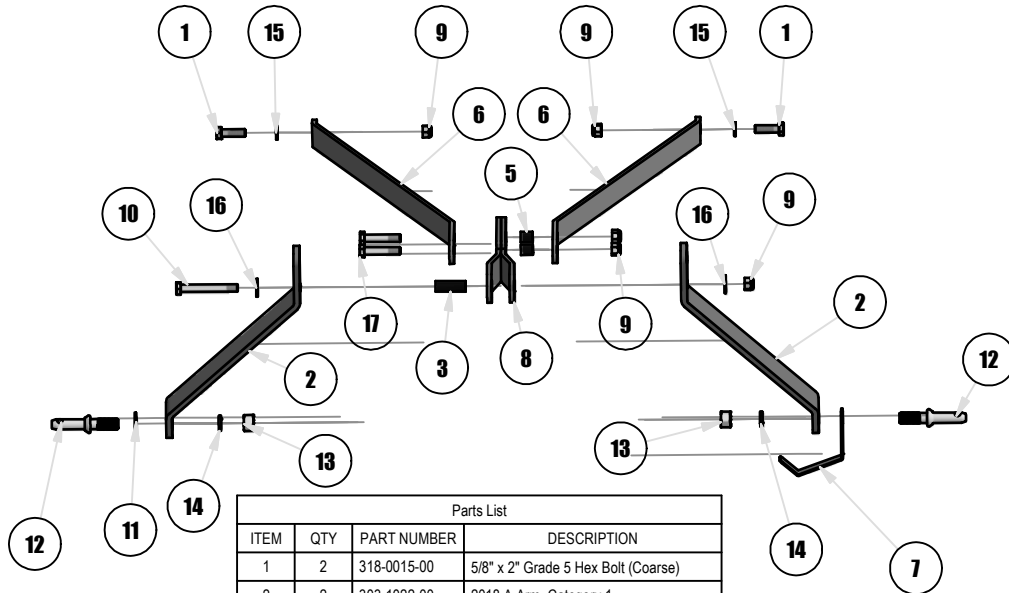
Table	
Colors	Codes
Orange	-01
Red	-02
Blue	-03
Green	-04
Tan	-05
Yellow	-06
Black	-07



PARTS SECTION: 4' Cutter Assembly



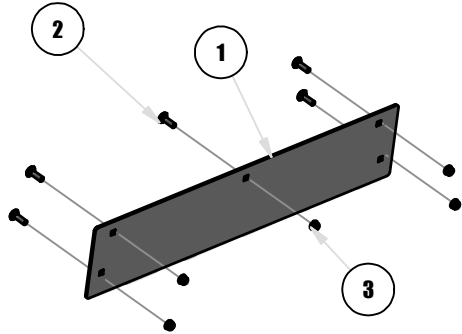
Parts List			
ITEM	QTY	PART NUMBER	DESCRIPTION
1	1	314-0006-00	Cutter Blade Bolt Access Plug
2	2	318-0001-01	Blade Bolt
3	2	318-0001-03	Blade Bolt Nut
4	1	337-0003-00	1 - 14 Castle Nut
5	1	337-0002-00	Cotter pin
6	1	350-0008-00	4' Gearbox Shear Pin
7	1	350-0007-00	4' Gearbox Slip Clutch
8	2	338-0003-00	4 Cutter Blade
9	1	337-0005-00	4' Stump Jumper Weldment
10	4	318-0007-00	5/8" x 1-3/4" Gr8 Hex Bolt (Fine)
11	2	318-0001-02	Blade Bolt Lock Washer
12	4	318-0005-00	5/8" Lock Nut Center Lock
13	1	314-0003-00	PTO Guard
14	4	019-8044-00	5/16" Flat Washer
15	4	018-0057-00	5/16"-18 x 1/2 GR5 Hex bolt zink
16	1	350-0009-00	4' PTO Shaft Slip Clutch
17	1	350-0010-00	4' PTO Shaft Shear Pin
18	1	318-0006-00	1/2" x 3.25" Hex Bolt (SP only)
19	1	313-0003-00	1/2" Nylock Nut (SP only)



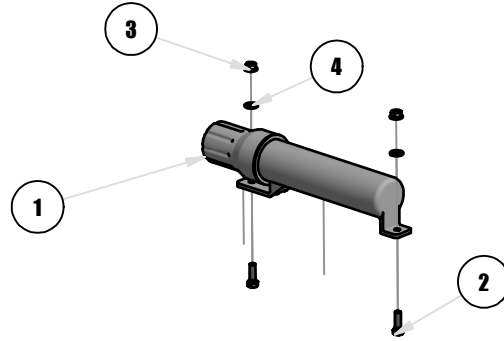
Parts List			
ITEM	QTY	PART NUMBER	DESCRIPTION
1	2	318-0015-00	5/8" x 2" Grade 5 Hex Bolt (Coarse)
2	2	303-1022-00	2018 A Arm_Category 1
3	1	325-0004-00	4,5,6 Hinge Spacer 2.5"
5	2	325-0002-00	linkage_Shortspacer 1"
6	2	303-1024-00	2018 4' Cutter-hitch arm
7	1	339-0066-00	Cat_1 PTO Holder
8	1	339-0057-00	Top link4_5_6 weldment
9	5	313-0002-00	5/8" Lock Nut
10	1	318-0020-00	5/8 x 4 - 3/4" Bolt
11	1	319-0007-00	7/8 flat washer category1
12	2	340-0001-00	Lift Pin
13	2	340-0003-00	lift pin nut
14	2	340-0004-00	lift pin washer
15	2	019-6017-00	.630 ID Plastic Washer
16	6	019-5038-00	5/8" Flat Washer
17	2	318-0014-00	5/8 x 3" Bolt



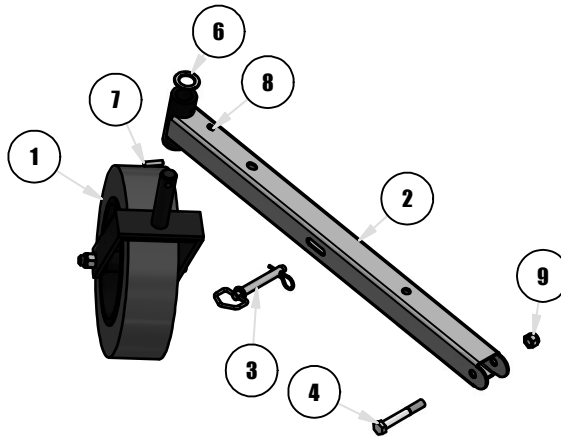
PARTS SECTION: 4' Cutter Assembly



Parts List			
ITEM	QTY	PART NUMBER	DESCRIPTION
1	1	326-0026-00	5' backplate
2	5	018-5043-00	3/8" x 1 1/4" Carriage Bolt
3	5	013-5202-00	3/8" Nylock Flange Nut



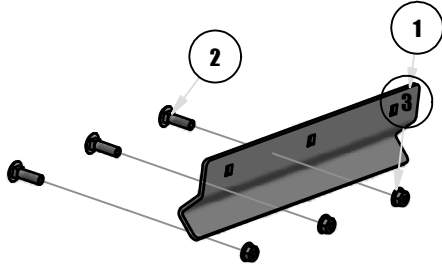
Parts List			
ITEM	QTY	PART NUMBER	DESCRIPTION
1	1	367-0001-00	Document Holder
2	2	018-2007-00	5/16" x 1" Bolt
3	2	013-9002-00	5/16" Flange Nut w/Serrations
4	2	019-8044-00	5/16" Flat Washer



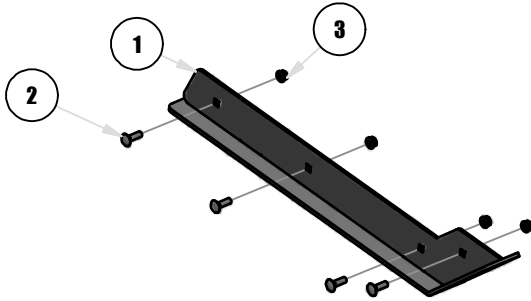
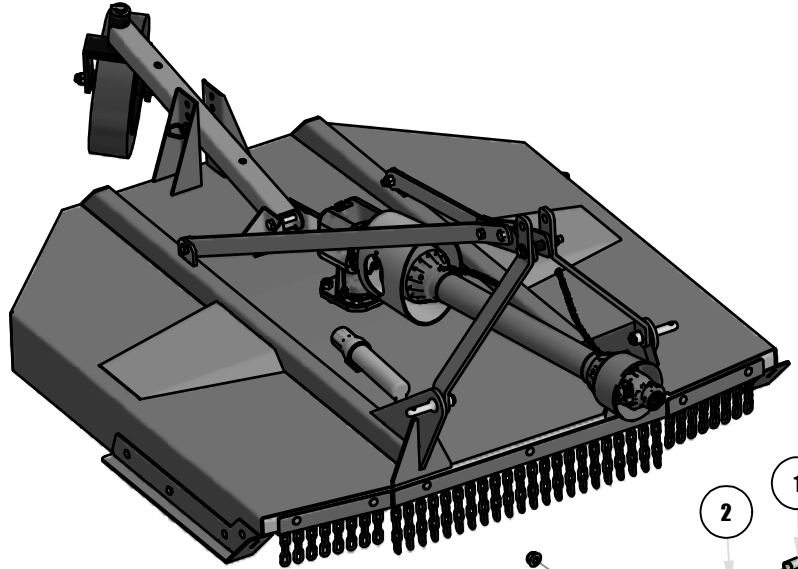
Parts List			
ITEM	QTY	PART NUMBER	DESCRIPTION
1	1	322-0008-00	Tail Wheel Assembly
2	1	350-4010-00	Tail Wheel Arm
3	1	340-0011-00	5/8" x 4" Lynch Pin
4	1	018-5309-00	5/8-11 X 4.5 GR 5 Hex Bolts Zinc
6	1	319-0001-00	1-1/4" Flat Washer
7	1	344-0001-00	Tail Wheel Roll Pin
8	1	024-6034-00	1/4" Press in Grease Fitting
9	1	313-0002-00	5/8" Lock Nut



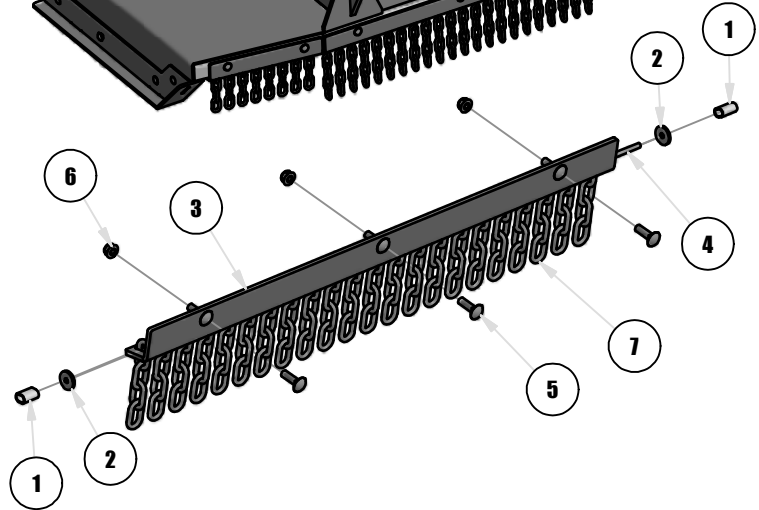
PARTS SECTION: 5' Cutter Assembly



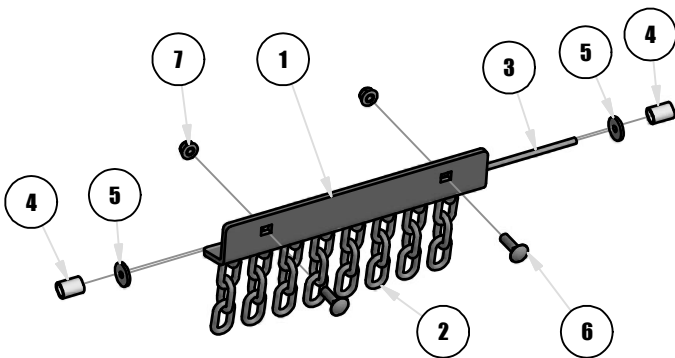
Parts List			
ITEM	QTY	PART NUMBER	DESCRIPTION
1	2	339-0064-00	Deck Armor
2	6	018-5043-00	3/8" x 1 1/4" Carriage Bolt
3	6	013-5202-00	3/8" Nylock Flange Nut



Parts List			
ITEM	QTY	PART NUMBER	DESCRIPTION
1	2	301-0007-00	Replacable Skid Weldment5'
2	8	018-5043-00	3/8" x 1 1/4" Carriage Bolt
3	8	013-5202-00	3/8" Nylock Flange Nut



Parts List			
ITEM	QTY	PART NUMBER	DESCRIPTION
1	2	358-0001-00	3/16" Stop Sleeve
2	2	319-0005-00	1/4" Flat Washer thick
3	1	339-0054-00	Chain Guard Front Middle
4	1	364-0005-00	5' middle chain cable
5	3	018-5043-00	3/8" x 1 1/4" Carriage Bolt
6	3	013-5202-00	3/8" Nylock Flange Nut
7	22	347-0001-00	4 Link Chain

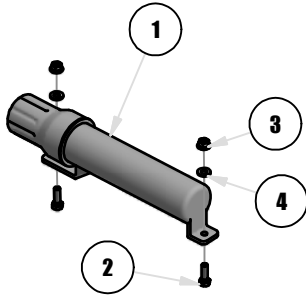


Parts List			
ITEM	QTY	PART NUMBER	DESCRIPTION
1	2	339-0055-00	5' Chain Guard Front Angle
2	16	347-0001-00	4 Link Chain
3	2	364-0002-00	5ft chain cable angle
4	4	358-0001-00	3/16" Stop Sleeve
5	4	319-0005-00	1/4" Flat Washer thick
6	4	018-5043-00	3/8" x 1 1/4" Carriage Bolt
7	4	013-5202-00	3/8" Nylock Flange Nut

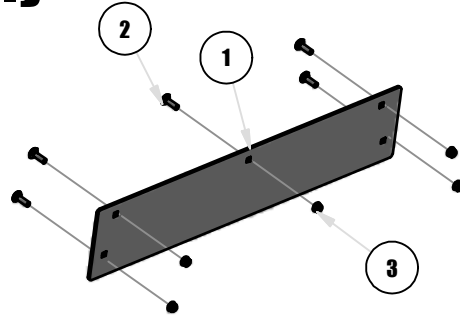
Paint Stock Codes	
Colors	Codes
Orange	-01
Red	-02
Blue	-03
Green	-04
Tan	-05
Yellow	-06
Black	-07



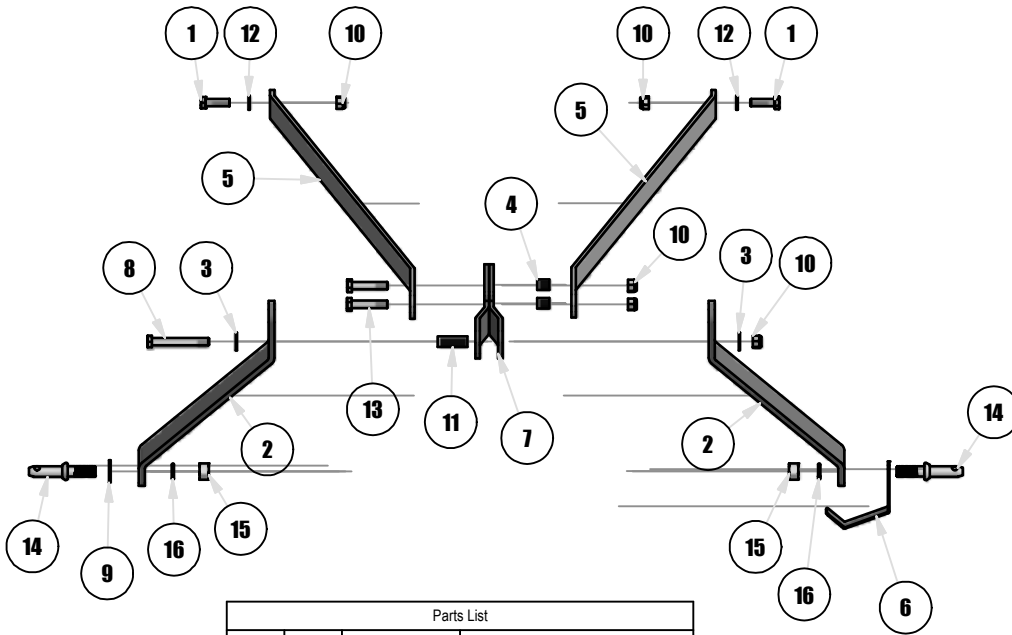
PARTS SECTION: 5' Cutter Assembly



Parts List			
ITEM	QTY	PART NUMBER	DESCRIPTION
1	1	367-0001-00	Document Holder
2	2	018-2007-00	5/16" x 1" Bolt
3	2	013-9002-00	5/16" Flange Nut w/Serrations
4	2	019-8044-00	5/16" Flat Washer



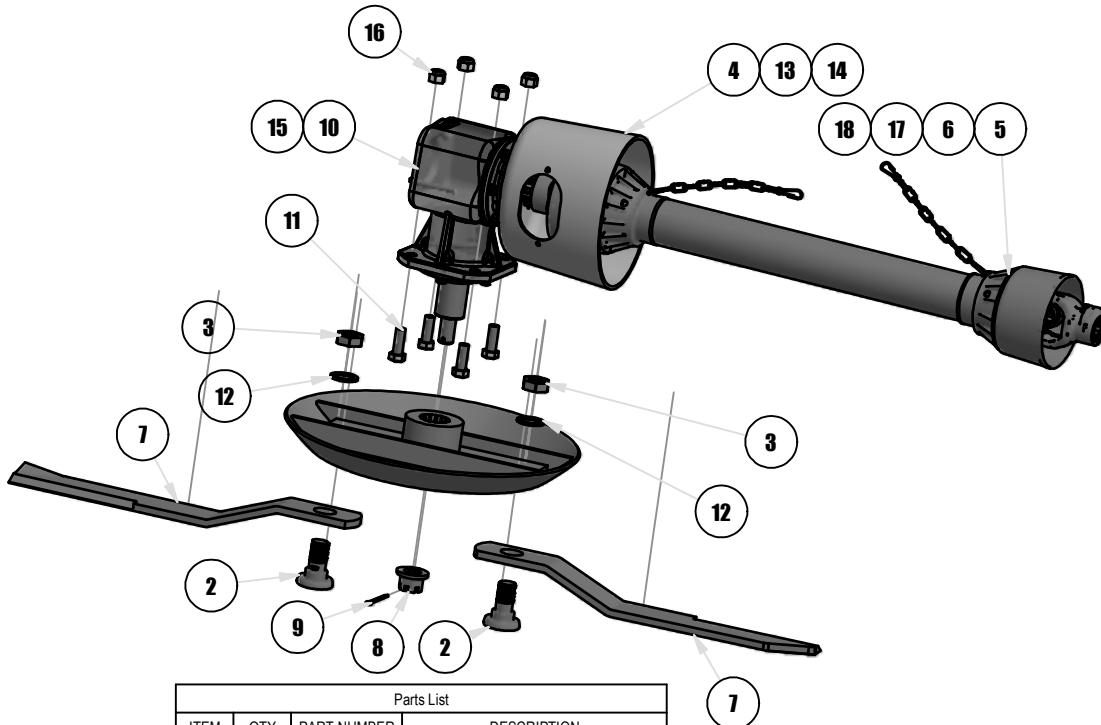
Parts List			
ITEM	QTY	PART NUMBER	DESCRIPTION
1	1	326-0026-00	5' backplate
2	5	018-5043-00	3/8" x 1 1/4" Carriage Bolt
3	5	013-5202-00	3/8" Nylock Flange Nut



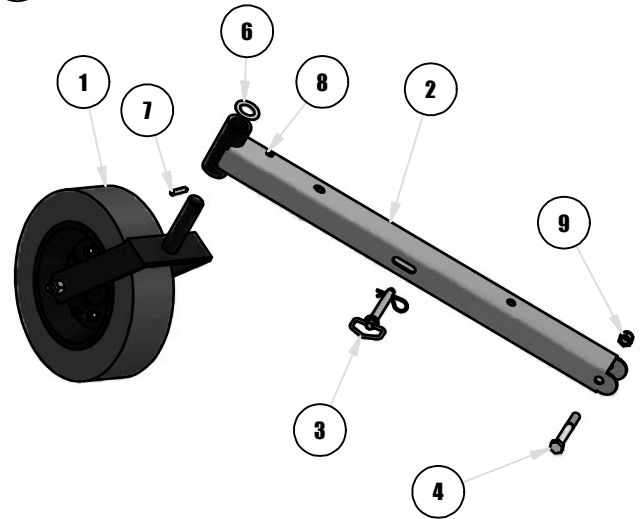
Parts List			
ITEM	QTY	PART NUMBER	DESCRIPTION
1	2	318-0015-00	5/8" x 2" Grade 5 Hex Bolt (Coarse)
2	2	303-1022-00	2018 A Arm_Category 1
3	6	019-5038-00	5/8" Flat Washer
4	2	325-0002-00	linkage_Shortspacer 1"
5	2	303-1023-00	2018 5' Cutter-hitch arm
6	1	339-0066-00	Cat_1 PTO Holder
7	1	339-0057-00	Top link4_5_6 weldment
8	1	318-0020-00	5/8 x 4 - 3/4" Bolt
9	1	319-0007-00	7/8 flat washer category1
10	5	313-0002-00	5/8" Lock Nut
11	1	325-0004-00	4,5,6 Hinge Spacer 2.5"
12	2	019-6017-00	.630 ID Plastic Washer
13	2	318-0014-00	5/8 x 3" Bolt
14	2	340-0001-00	Lift Pin
15	2	340-0003-00	lift pin nut
16	2	340-0004-00	lift pin washer



PARTS SECTION: 5' Cutter Assembly



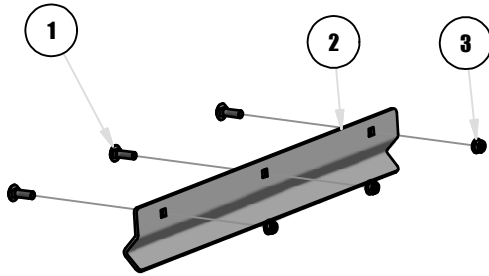
Parts List			
ITEM	QTY	PART NUMBER	DESCRIPTION
1	1	337-0004-00	5' Stump Jumper
2	2	318-0001-01	Blade Bolt
3	2	318-0001-03	Blade Bolt Nut
4	1	314-0003-00	PTO Guard
5	1	350-0010-00	series 4 shear pin pto shaft
6	1	350-0009-00	5' PTO Shaft Clutch
7	2	338-0001-00	5ft cutter blade
8	1	337-0003-00	1 - 14 Castle Nut
9	1	337-0002-00	Cotter pin
10	1	350-0001-00	RC-51 50HP Gearbox 1:1.93 (CUTSP60)
11	4	318-0007-00	5/8" x 1-3/4" Gr8 Hex Bolt (Fine)
12	2	318-0001-02	Blade Bolt Lock Washer
13	4	019-8044-00	5/16" Flat Washer
14	4	018-0057-00	5/16"-18 x 1/2 GR5 Hex bolt zink
15	1	350-0015-00	5' Gear Box Slip Clutch
16	4	318-0005-00	5/8" Lock Nut
17	1	318-0006-00	1/2" x 3.25" Hex Bolt Gr5 (SP only)
18	1	313-0003-00	1/2" Nylock Nut (SP only)



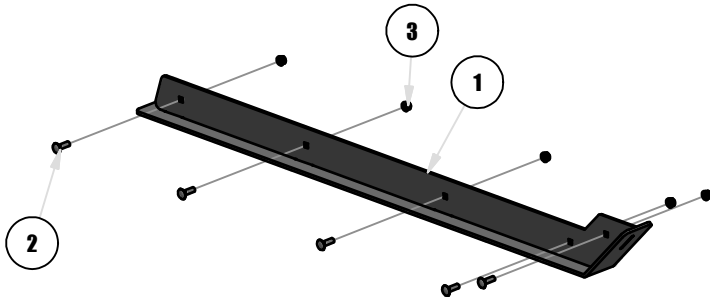
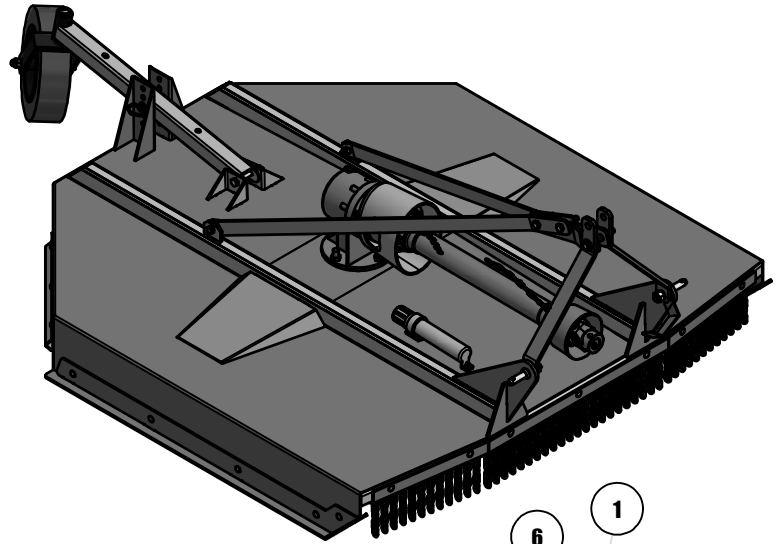
Parts List			
ITEM	QTY	PART NUMBER	DESCRIPTION
1	1	322-0008-00	Tail Wheel Assembly
2	1	350-4010-00	Tail Wheel Arm
3	1	340-0011-00	5/8" x 4" Lynch Pin
4	1	018-5309-00	5/8-11 X 4.5 GR 5 Hex Bolts Zinc
6	1	319-0001-00	1-1/4" Flat Washer
7	1	344-0001-00	Tail Wheel Roll Pin
8	1	024-6034-00	1/4" Press in Grease Fitting
9	1	313-0002-00	5/8" Lock Nut



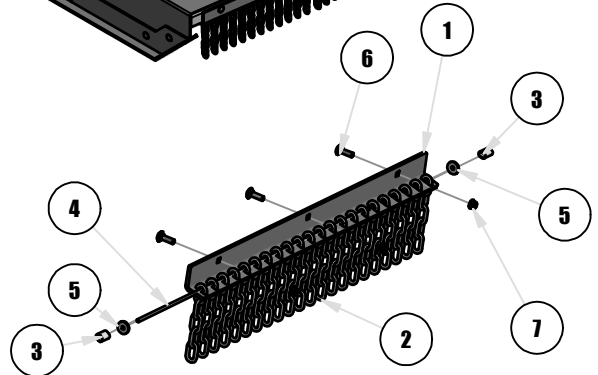
PARTS SECTION: 6' Cutter Assembly



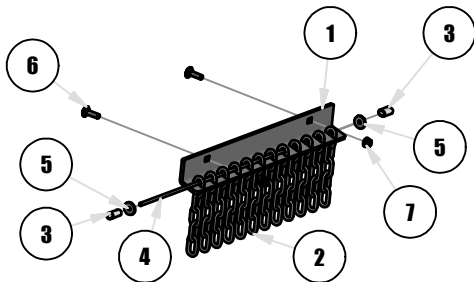
Parts List			
ITEM	QTY	PART NUMBER	DESCRIPTION
1	6	018-5043-00	3/8" x 1 1/4" Carriage Bolt
2	2	339-0065-00	6ft side armor
3	6	013-5202-00	3/8" Nylock Flange Nut



Parts List			
ITEM	QTY	PART NUMBER	DESCRIPTION
1	2	301-0005-00	2018 6ft Replacable Skid Weldment
2	10	018-5043-00	3/8" x 1 1/4" Carriage Bolt
3	10	013-5202-00	3/8" Nylock Flange Nut



Parts List			
ITEM	QTY	PART NUMBER	DESCRIPTION
1	1	339-0054-00	Chain Guard Front Middle
2	22	347-0002-00	5 Link Chain
3	2	358-0001-00	3/16" Stop Sleeve
4	1	364-0005-00	5" middle chain cable
5	2	319-0005-00	1/4" Flat Washer thick
6	3	018-5043-00	3/8" x 1 1/4" Carriage Bolt
7	3	013-5202-00	3/8" Nylock Flange Nut

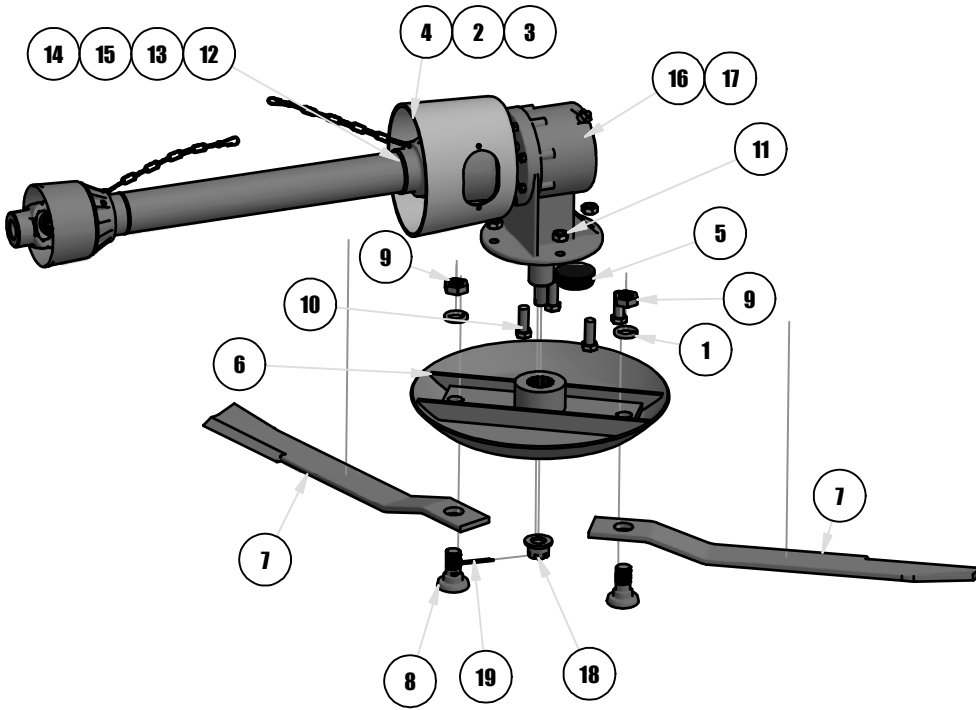


Parts List			
ITEM	QTY	PART NUMBER	DESCRIPTION
1	2	339-0052-00	Chain Guard Front Angle
2	24	347-0002-00	5 Link Chain
3	4	358-0001-00	3/16" Stop Sleeve
4	2	364-0001-00	6ft chain cable angle
5	4	319-0005-00	1/4" Flat Washer thick
6	4	018-5043-00	3/8" x 1 1/4" Carriage Bolt
7	4	013-5202-00	3/8" Nylock Flange Nut

Table	
Colors	Codes
Orange	-01
Red	-02
Blue	-03
Green	-04
Tan	-05
Yellow	-06
Black	-07

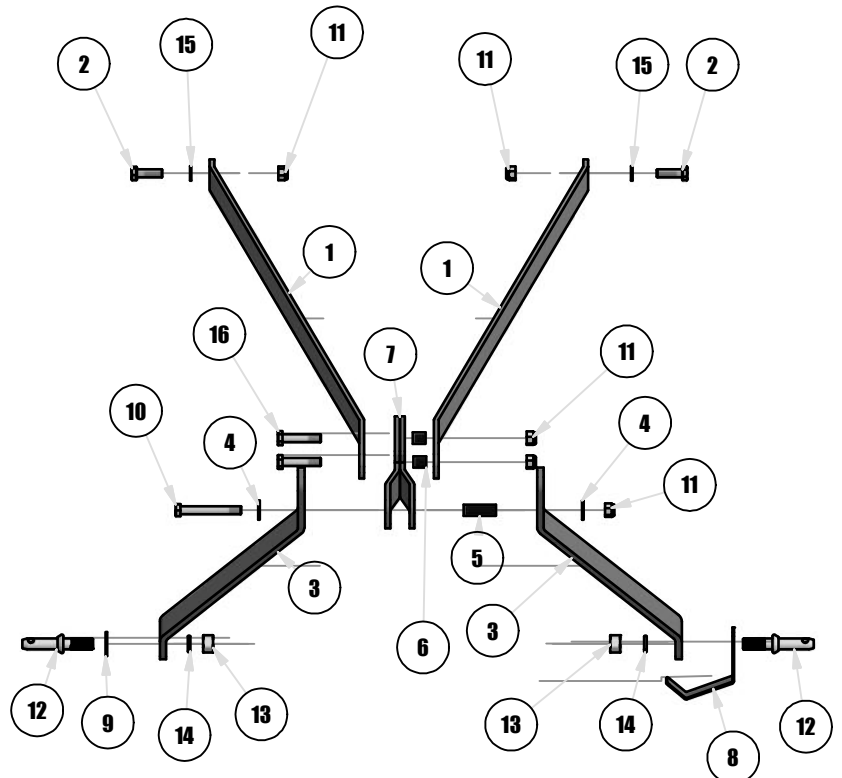


PARTS SECTION: 6' Cutter Assembly



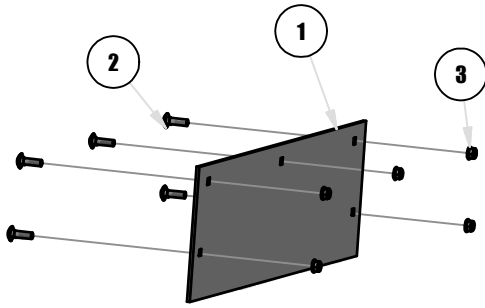
Parts List			
ITEM	QTY	PART NUMBER	DESCRIPTION
1	2	318-0001-02	Blade Bolt Lock Washer
2	4	019-8044-00	5/16" Flat Washer
3	4	018-0057-00	5/16"-18 x 1/2 GR5 Hex bolt zink
4	1	314-0003-00	PTO Guard
5	1	314-0006-00	Cutter Blade Bolt Access Plug
6	1	337-0004-00	Stump Jumper
7	2	338-0002-00	6' Rotary Cutter Blade
8	2	318-0001-01	Blade Bolt
9	2	318-0001-03	Blade Bolt Nut
10	4	318-0022-00	3/4 x 2 Hex bolt GR8 (Fine Thread)
11	4	013-0014-00	3/4" CenterLock Nut GRc (Fine)
12	1	350-0019-00	6' PTO Shaft - Slip Clutch
13	1	350-0018-00	6' PTO Shaft- Shear Pin
14	1	313-0003-00	1/2" Nylock Nut (SP only)
15	1	318-0006-00	1/2"x 3.25" Bolt (SP only)
16	1	350-0017-00	6' RC61 Shear pin Gearbox
17	1	350-0003-00	6' RC 61 Slip Clutch Gearbox
18	1	337-0003-00	1 - 14 Castle Nut
19	1	337-0002-00	Cotter pin

Parts List			
ITEM	QTY	PART NUMBER	DESCRIPTION
1	2	303-1021-00	2018 6' Cutter-hitch arm
2	2	318-0015-00	5/8" x 2" Grade 5 Hex Bolt (Coarse)
3	2	303-1022-00	2018 A Arm_Category 1
4	6	019-5038-00	5/8" Flat Washer
5	1	325-0004-00	4,5,6 Hinge Spacer 2.5"
6	2	325-0002-00	linkage_Shortspacer 1"
7	1	339-0057-00	Top link4_5_6 weldment
8	1	339-0066-00	Cat_1 PTO Holder
9	1	319-0007-00	7/8 flat washer category1
10	1	318-0020-00	5/8 x 4 - 3/4" Bolt
11	5	313-0002-00	5/8" Lock Nut
12	2	340-0001-00	Lift Pin
13	2	340-0003-00	lift pin nut
14	2	340-0004-00	lift pin washer
15	2	019-6017-00	.630 ID Plastic Washer
16	2	318-0014-00	5/8 x 3" Bolt

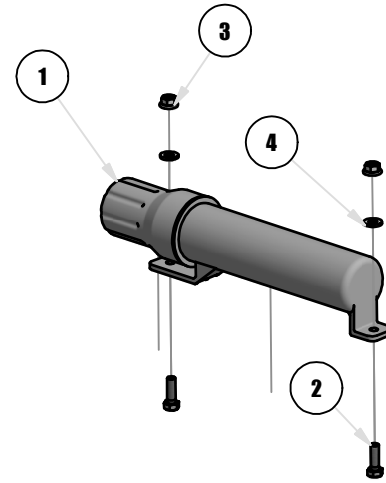




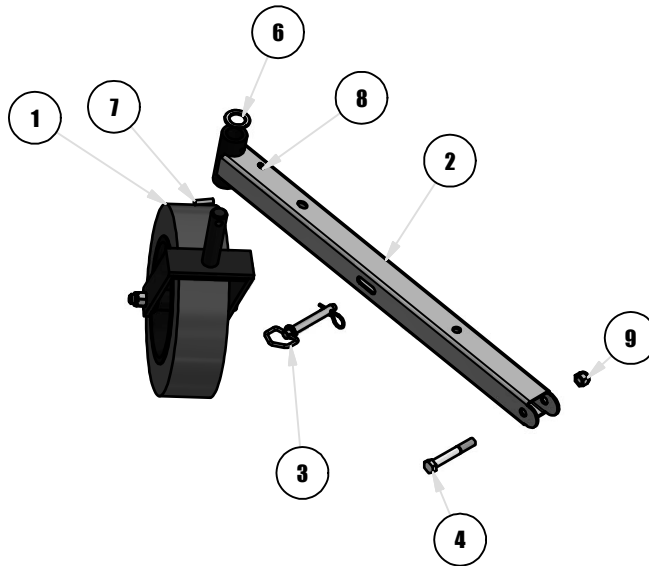
PARTS SECTION: 6' Cutter Assembly



Parts List			
ITEM	QTY	PART NUMBER	DESCRIPTION
1	1	326-0013-00	2018 6ft Cutter backplate
2	5	018-5043-00	3/8" x 1 1/4" Carriage Bolt
3	5	013-5202-00	3/8" Nylock Flange Nut



Parts List			
ITEM	QTY	PART NUMBER	DESCRIPTION
1	1	367-0001-00	Document Holder
2	2	018-2007-00	5/16" x 1" Bolt
3	2	013-9002-00	5/16" Flange Nut w/Serrations
4	2	019-8044-00	5/16" Flat Washer

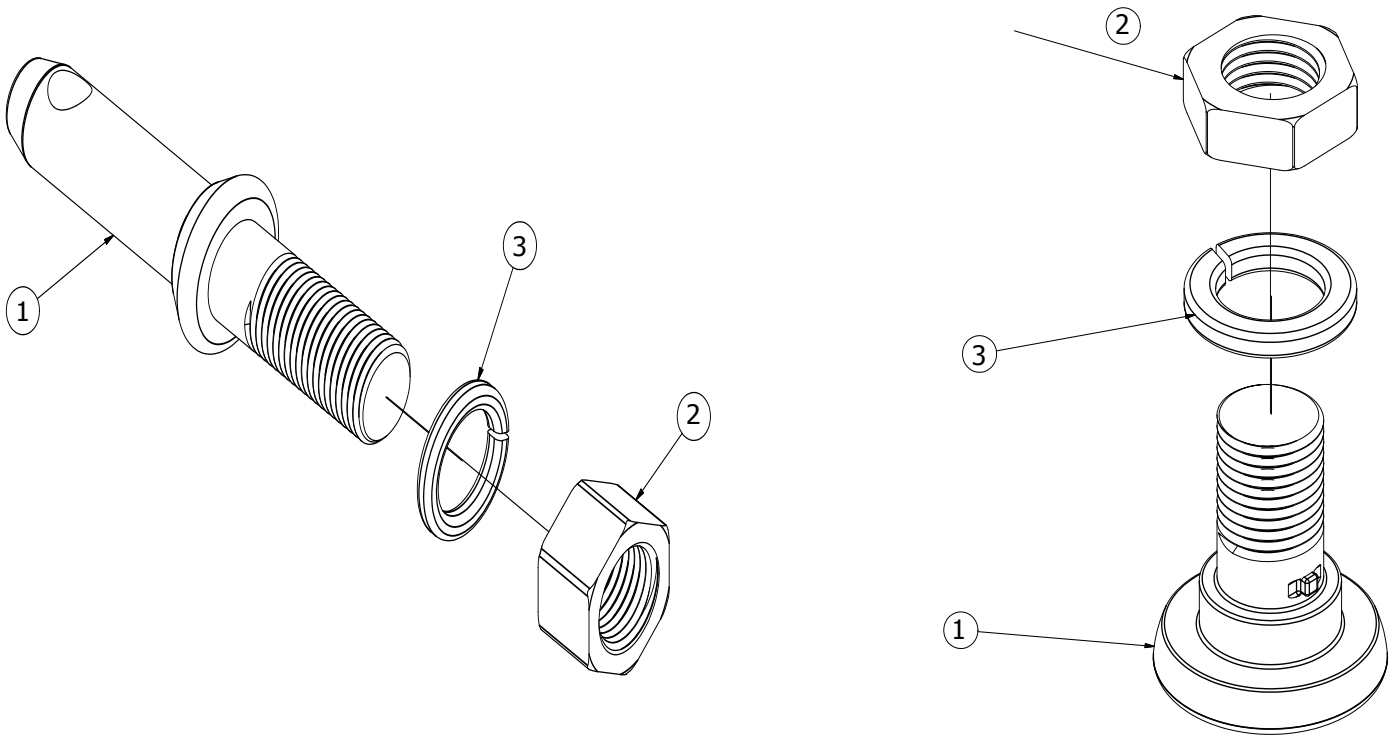


Parts List			
ITEM	QTY	PART NUMBER	DESCRIPTION
1	1	322-0003-00	Tail Wheel Assembly
2	1	350-4010-00	Tail Wheel Arm
3	1	340-0011-00	5/8" x 4" Lynch Pin
4	1	018-5309-00	5/8-11 X 4.5 GR 5 Hex Bolts Zinc
6	1	319-0001-00	1-1/4" Flat Washer
7	1	344-0001-00	Tail Wheel Roll Pin
8	1	024-6034-00	1/4" Press in Grease Fitting
9	1	313-0002-00	5/8" Lock Nut

FASTENER TORQUE CHART

NOTICE: Torque values given in the above text assume an unlubricated fastener. If using a lubricated fastener, reduce the torque (given in the previous text) by 25%.

Fastener	Torque (Lubricated/Unlubricated)
5/8" x 2-1/2" Hex Bolt	56 ft-lbs / 75 ft-lbs
1/2" x 1-1/4" Hex Bolt	52 ft-lbs / 70 ft-lbs
5/8" x 6" Hex	90 ft-lbs / 120 ft-lbs
1/2" x 3-1/4" Hex Bolt (Shear-bolt)	30 ft-lbs / 40 ft-lbs
5/8" x 1-3/4" Hex Bolt	150 ft-lbs / 200 ft-lbs
1-1/8" Blade Bolt	337 ft-lbs / 450 ft-lbs



Parts List			
ITEM	QTY	PART NUMBER	DESCRIPTION
1	1	340-0002-00	Lift Pin
2	1	340-0003-00	Lift Pin Nut
3	1	340-0004-00	Lift Pin Washer

Parts List			
ITEM	QTY	PART NUMBER	DESCRIPTION
1	1	318-0001-01	Blade Bolt
2	1	318-0001-03	Blade Bolt Nut
3	1	318-0001-02	Blade Bolt Lock Washer

DEALER'S CHECKLISTS

PRE-DELIVERY CHECK LIST

It is the dealer's responsibility to fully assemble and inspect the cutter before the customer takes delivery of the unit. The following check list is provided as a memory aid to ensure all points are inspected. Check off the items below as they are completed.

- _____ Check the torque of all bolts to be sure they meet the values given in the Fastener Torque Chart (pg. 24).
- _____ Check that the cotter pin is properly secured.
- _____ Check the PTO shaft for proper installation.
- _____ Check that the gearbox is properly filled with gear oil and that no seals are leaking.
- _____ Grease all lubrication points as shown in Lubrication (pgs. 14-15).
- _____ Check that blades have been properly installed. The cutting edge should lead in a counterclockwise motion when viewed from above.

DELIVERY CHECKLIST

- _____ Explain the importance of periodic inspections and lubrication to the customer.
 - _____ Present the Owner's Manual to the customer and request that the customer and all other users read the material before operation. Explain the importance of the safety rules.
 - _____ Explain the importance of front ballasts. This unit weighs 650 pounds; the customer needs to weigh the tractor and equipment to ensure at least 20% of the total weight is on the tractor's front wheels. _____
- Explain that if the unit is transported on or along a roadway, safety devices (such as reflector decals) should be utilized in order to alert motorists of the equipment's presence.

- **IMPORTANT-** The gearbox was not filled with gear oil at the factory. It must be filled before the cutter can be placed into service (see Lubrication, pg. 14). Failure to fill the gearbox with the proper quantity of gear oil will result in damage to the gearbox.

WARRANTY

OWNER/OPERATOR'S RESPONSIBILITY

It is the owner and/or operator's responsibility to read the owner's manual before use. Failure to read the owner's manual is considered a misuse of this equipment.

It is the owner and/or operator's responsibility to inspect the product and to have any part(s) repaired or replaced before continued operation. Failure to do so could cause damage, excessive wear to other parts, or jeopardize operator safety.

LIMITED WARRANTY

Bad Boy Cutters warrants to the original purchaser of any new Bad Boy Cutter(s) that the equipment be free from defects in material and workmanship for a period of two (2) year from date of retail sale.

At Bad Boy Cutters request, the customer will make the defective part available for inspection by Bad Boy Cutters and/or return the defective part to Bad Boy Cutters. Transportation charges prepaid.

WHAT THIS WARRANTY DOES NOT COVER:

This warranty does not cover defects caused by depreciation or damage caused by wear, accidents, improper maintenance, improper use or abuse of the product, alterations, or failure to follow the instruction contained in the Owner's Manual for operation and maintenance.

Normal maintenance service and normal replacement items such as gearbox lubricant, worn blades, tire, or normal deterioration of exterior finish due to use or exposure.

Bad Boy Cutters will not be responsible for the pickup and delivery of a machine for warranty purposes or inspection.

WARRANTY LIMITATION:

THERE IS NO OTHER EXPRESSED WARRANTY. ANY WARRANTY THAT MAY BE IMPLIED FROM THIS PURCHASE INCLUDING MERCHANTABILITY AND FITNESS FOR A PARTICULAR PURPOSE IS HEREBY LIMITED TO THE DURATION OF THIS WARRANTY AND TO THE EXTENT PERMITTED BY LAW ANY AND ALL IMPLIED WARRANTIES ARE EXCLUDED. Some states do not allow limitations on how long an implied warranty lasts, so the above limitations may not apply to you.

BAD BOY CUTTERS WILL NOT BE LIABLE FOR ANY INCIDENTAL, CONSEQUENTIAL, OR SPECIAL DAMAGES AND/OR EXPENSES IN CONNECTION WITH THE PURCHASE OR USE OF THE CUTTER.

Some states do not allow the exclusion or limitation of incidental or consequential damages, so the above limitation(s) or exclusion(s) may not apply to you.

HOW TO OBTAIN SERVICE UNDER THIS WARRANTY:

Warranty service can be arranged by contacting the dealer where you purchased the mower or by contacting Bad Boy Cutters at warranty@badboycutters.com.

Proof of the date of purchase may be required to verify warranty coverage.

B. Warranty claims will not be reviewed or paid unless the warranty registration is received by Bad Boy Cutters within 30 days of the retail purchase date.

Record the model number, serial number and date purchased. This information will be helpful obtaining parts or service if required.

SERIAL NUMBER _____

DATE OF RETAIL SALE _____

PLACE OF PURCHASE _____



102 Industrial Drive
Batesville, Arkansas 72501
(870) 698-0090
