

2024H-3036H

BAD BOY
TRACTORS®

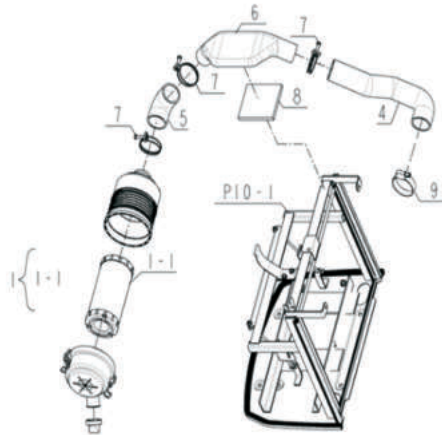


BAD BOY TRACTOR
PARTS LIST



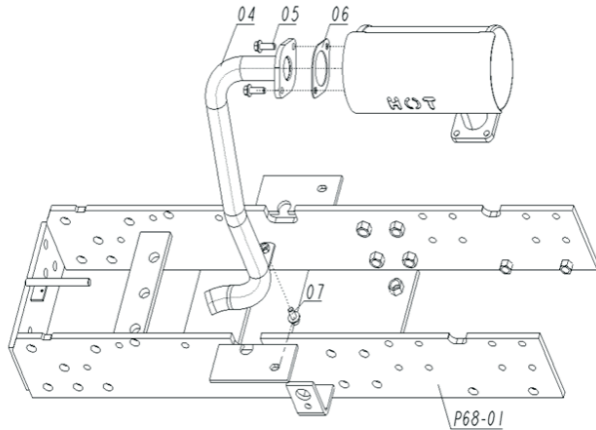
(CONTENT)		
	ENGINE PART	
A01.	CYLINDER BLOCK	17 CLUTCH
A02.	OIL PAN	18 CLUTCH ROD
A03.	CYLINDER HEAD	19 CLUTCH PADAL
A04.	GEAR CASE	20 CLUTCH HOUSING
A05.	HEAD COVER	21 CENTER FRAME
A06.	OIL FILTER	22 TRANSMISSION CASE
A07.	OIL GAUGE	23 TRANSMISSION CASE_HST
A08.	MAIN BEARING CASE	24 DIFFERENTIAL GEAR CASE
A09.	CAM SHAFT & IDLE SHAFT	25 REAR AXLE CASE
A10.	PISTON & CRANK SHAFT	26 CLUTCH SHAFT
A11.	FLYWHELL	27 PROPELLER SHAFT
A12.	FUEL CAM SHAFT & GOVERNOR SHAFT	28 PROPELLER SHAFT_HST
A13.	IDLE APPARATUS	29 HST
A14.	FUEL INJECTION PUMP	30 FRONT SHAFT
A15.	GOVERNOR	31 FRONT SHAFT_HST
A16.	SPEED CONTROL PLATE	32 PTO SHAFT
A17.	INJECTOR & GLOW PLUG	33 PTO SHAFT-HST
A18.	FEED PUMP	34 MID PTO
A19.	WATER PUMP FLANGE % THERMOSTAT	35 MID PTO-HST
A20.	WATER PUMP	37 REAR DIFFERENTIAL
A21.	ROCKER ARM	38 FRONT WHEEL PROPELLER SHAFT
A22.	INTAKE MANIFOLD	39 FRONT WHEEL PROPELLER SHAFT-HST
A23.	EXHAUST MANIFOLD	40 2ND. SHAFT
A24.	STOP SOLENOID	41 2ND. SHAFT-HST
A25.	ALTERNATOR & PULLY	42 3RD. SHAFT
A26.	STARTING MOTOR	43 3RD. SHAFT-HST
A27.	EXHAUST SILENCER	44 4TH. SHAFT
A28.	TURBO CHARGER & EXHAUST SILENCER	45 4TH SHAFT-HST
A29.	COOLING PAN	46 MAIN GEAR SHIFT FORK
A30.	OIL PRESSURE SWITCH	47 RANGE GEAR SHIFT FORK
A31.	OIL PIPE	48 PTO GEAR SHIFT FORK
		49 PTO GEAR SHIFT FORK-HST
		50 DIFFERENTIAL LOCK SHIFTFORK
		51 REAR AXLE ASSY
		53 BRAKE ROD
		54 BRAKE PEDAL
		55 BRAKE SWITCH
		56 SIDE BRAKE_EU
		57 MAIN GEAR SHIFT LEVER
		58 NEUTRE HOLDER LINK-HST
		59 F-R PEDAL-HST
		60 CRUSE LEVER-HST
		61 RANGE GEAR SHIFT LEVER
		62 FRONT WHEEL DRIVE LEVER
		63 PTO GEAR SHIF LEVER
		64 HYDRAULIC CONTROL LEVER
		65 POSITION VALVE LEVER
		66 DIFFERENTIAL LOCK PEDAL
		67 DIFFERENTIAL LOCK PEDAL-HST
		68 FRONT AXLE FRAME
		69 FRONT AXLE CASE
		70 FRONT DIFFERENTIAL
		71 DIFFERENTIAL GEAR SHAFT
		72 BEVEL GEAR CASE
		73 FRONT AXLE CASE
		74 FRONT AXLE
		75 FRONT DRIVE SHAFT
		76 FRONT DRIVE SHAFT-HST
		77 PST COVER
		78 TIE ROD
		79 STEERING HANDLE
		80 STEERING POST
		81 HYDRAULIC STEERING VALVE
		82 HYDRAULIC PUMP
		83 HYDRAULIC OIL LINE(SUCTION)
		84 HYDRAULIC OIL LINE(DELIVERY)
		85 HYDRAULIC OIL LINE(STEERING)
		86 HYDRAULIC OIL LINE(HST)
		87 HYDRAULIC OIL LINE(HST)
		88 HYDRAULIC OIL LINE(CLUTCH HOUSING)
		89 HYDRAULIC OIL LINE-HST
		90 HYDRAULIC CYLINDER
		91 HYDRAULIC CYLINDER
		92 HYDRAULIC PISTON
		93 FEED BACK LEVER
		94 FEED BACK LEVER(POSITION)
		95 CONTROL VALVE
		96 POSITION VALVE
		97 3-POINT LINKAGE(LIFT LINK)
		98 LOWER LINK
		99 3-POINT LINKAGE(TOP LINK)
		100 CHECK CHAIN
		101 DRAW BAR
		102 PTO PROTECTOR
		103 HOOD
		104 PANEL COVER
		105 SHUTTER PLATE
		106 LEVER GUIDE
		107 LEVER GUIDE-HST
		108 FENDER
		109 FENDER STAY
		110 FLOOR SEAT
		111 SEAT
		112 STEP
		113 ROPS
		115 SMV EMBLEM
		118 FRONT WHEEL
		119 REAR WHEEL
		120 DECAL
		121 BALLAST WEIGHT
		122 REAR VIEW MIRROP
		123 SCV 2PORT
	TRACTOR PART	
01	AIR CLEANER	
02	COMP.MUFFLER	
03	ACCELERATOR LEVER	
05	FUEL TANK	
06	FUEL PIPE	
07	WATER PIPE	
08	RADIATOR	
09	RESERVE TANK	
10	BATTERY	
11	SWITCH	
12	PANNEL BOARD	
13	HEAD LIGHT	
14	TAIL LIGHT	
15	WINKER LIGHT	
16	ELECTRICAL WIRING	

01.(AIR CLEANER)



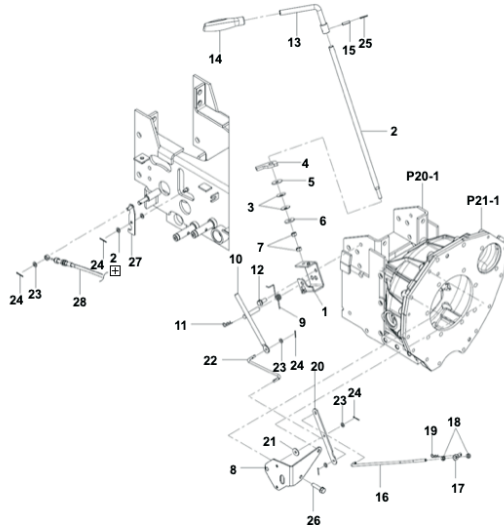
No.	Part No.	Part Name	(Q'ty)			2024h	3026h
1	EA00000431A	ASS'Y CLEANER, AIR	1			X	X
1-1	EA00000985A	FILTER ELIMENT ASS'Y	1			X	X
4	FE02040000A	HOSE, INLET	1			X	X
5	FE02050000A	HOSE, AIR CLEANER	1			X	X
6	FE02060000A	HOSE	1			X	X
7	Z3010-054000	BAND	3			X	X
8	FE02080000A	SPONGE	1			X	X
9	Z3000-054000	CLIP	1			X	X

02.(COMP.MUFFLER)



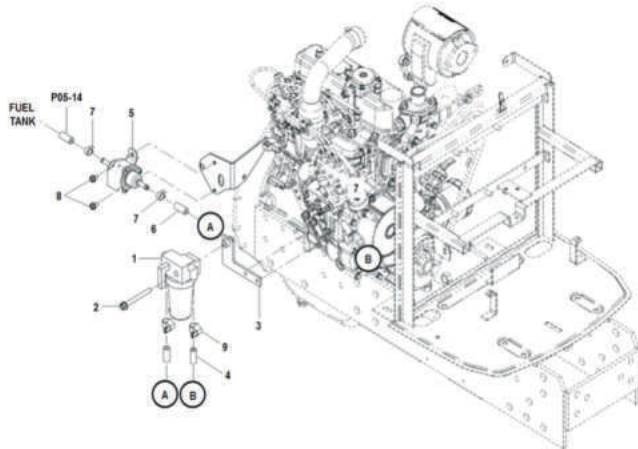
No.	Part No.	Part Name	(Q'ty)	2024h	3026h	Remarks
4	FE03040000B	PIPE, EXHAUST	1	X	X	
5	26106-080252	BOLT	2	X	X	M8X25
6	HK0514000EA4	PIPE, GASKET	1	X	X	
7	26014-080202	BOLT	1	X	X	M8X20

03-2.(ACCELERATOR LEVER) - HST



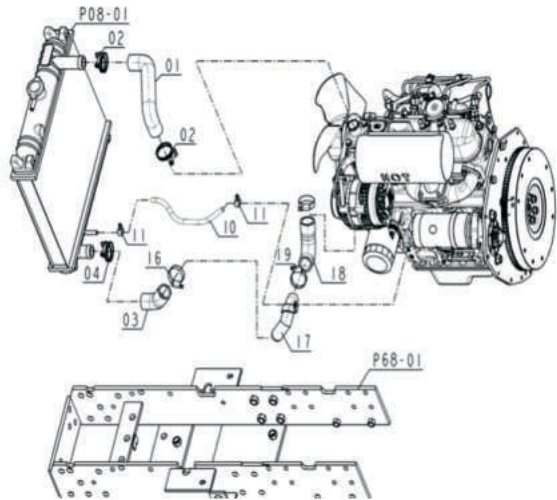
No.	Part No.	Part Name	(Q'ty)	2024h	3026h	Remarks
1	FE04010000A	BRACKET ACCEL	1	X	X	
2	FE04020000A	ROD, ACCEL	1	X	X	
3	FE04030000A	SPRING, PLATE	2	X	X	
4	TA00044967A	ARM, ACCELERATOR	1	X	X	
5	FE04050000A	WASHER, ACCEL	1	X	X	
6	22157-080000	WASHER, PLAIN	1	X	X	
7	26716-080002	NUT	2	X	X	
8	TA00049127A	BRACKET, LINK	1	X	X	
9	TA00049164A	SPRING	1	X	X	
10	TA00049134A	LINK, ACCEL	1	X	X	
11	22360-100000	PIN, SNAP	1	X	X	
12	26013-080202	BOLT	1	X	X	
13	FE04140000B	LEVER, ACCEL	1	X	X	
14	TA00044439A	GRIP	1	X	X	
15	22351-050020	PIN, SPRING	1	X	X	
16	TA00049130A	ROD A	1	X	X	
17	FE04180000A	CONNECTOR	1	X	X	
18	26712-060002	NUT	2	X	X	
19	22360-080000	PIN, SNAP	1	X	X	
20	TA00051995A	LINK A	1	X	X	
21	22157-060000	WASHER, PLAIN	1	X	X	
22	TA00049131A	ROD B	1	X	X	
23	22117-060000	WASHER, PLAIN	6	X	X	
24	22417-160160	COTTER PIN	5	X	X	
25	22351-030020	PIN, SPRING	1	X	X	
26	26013-080352	BOLT	2	X	X	
27	TA00049203B	LINK	1	X	X	
28	TA00050774C	WIRE	1	X		
28	TA00053580C	WIRE	1		X	

06. (FUEL LINE)



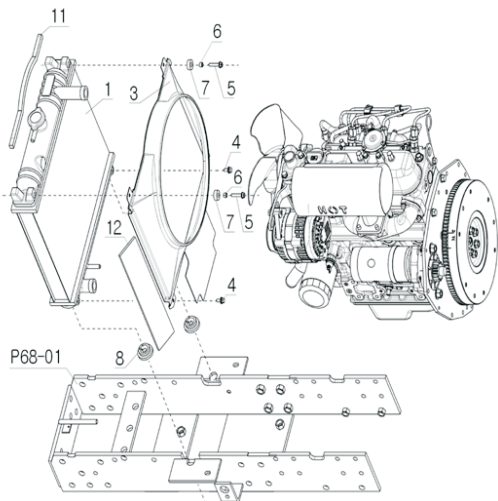
No.	Part No.	Part Name	(Q'ty)			2024h	3026h	
1	HK1301000C2	ASS'Y FILTER, FUEL	1			X	X	
2	26106-080752	BOLT	1			X	X	
3	TA00063917A	STAY, FUEL FILTER	1			X	X	
4	23980-730330	HOSE	1			X	X	M8X75
5	HF20190000A	FEED PUMP ASS'Y	1			X	X	
6	FE08120000B	HOSE, DRAIN	1			X	X	
7	23080-013000	CLIP, PIPE	3			X	X	
8	26106-060122	HEX FLANGE BOLT	2			X	X	
9	23000-013000	CLIP, PIPE	2			X	X	

07.(WATER PIPE)



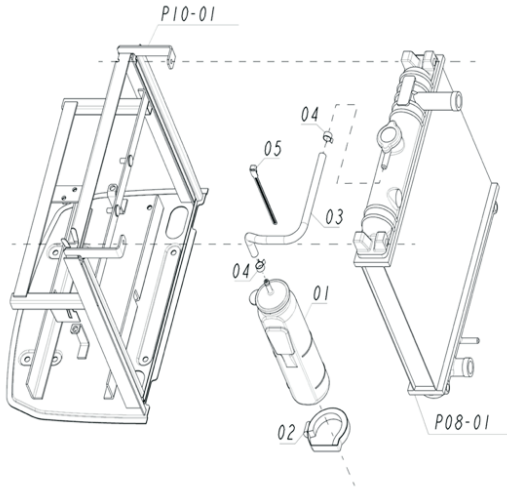
No.	Part No.	Part Name	(Q'ty)			2024h	3026h
1	FE08010000D	HOSE, WATER	1			X	X
2	23010-038000	CLAMP, HOSE	2			X	X
3	FE08030000C	HOSE, WATER	1			X	X
4	23010-040000	CLAMP, HOSE	1			X	X
10	23980-730330	HOSE	1			X	X
11	23000-013000	CLAMP, HOSE	2			X	X
16	23000-041000	HOSE CLIPS	1			X	X
17	EA00000450C	PIPE	1			X	X
18	EA00000451B	HOSE	1			X	X
19	23000-041000	CLIP	2			X	X

08.(RADIATOR)



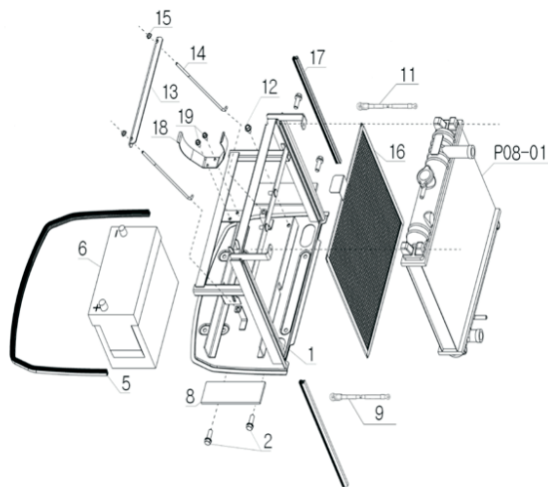
No.	Part No.	Part Name	(Q'ty)			2024h	3026h	
1	EA00000401B	ASS'Y RADIATOR	1			X	X	
3	FE09030000B	KIT SHRODU, FAN	1			X	X	
4	26014-060162	BOLT	2			X	X	M6X16
5	26106-060302	BOLT	2			X	X	M6X30
6	FE11220000A	COLLAR	2			X	X	
7	FE11230000A	RUBBER	2			X	X	
8	HRA1203300A4	CUSHION, RADIATOR	2			X	X	
11	FE09110000A	TAPE, RADIATOR	5			X	X	
12	FE09120000A	TAPE, RADIATOR	1			X	X	

09. (RESERVE TANK)



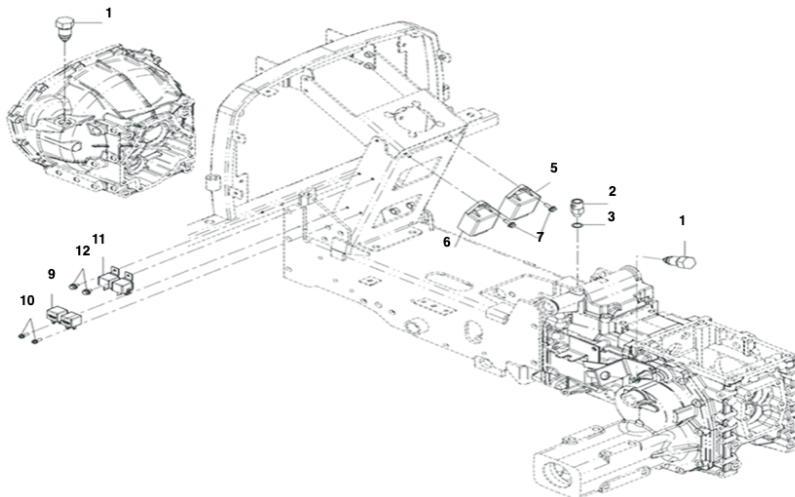
No.	Part No.	Part Name	(Q'ty)			2024h	3026h
1	CA09270000C2	ASS'Y TANK, RESERVE	1			X	X
2	CA09310000A4	CLIP, TANK	1			X	X
3	FE10020000A	TUBE	1			X	X
4	23080-013000	CLIP	2			X	X
5	TB39260000A4	BAND, CORD	1			X	X

10.(BATTERY)



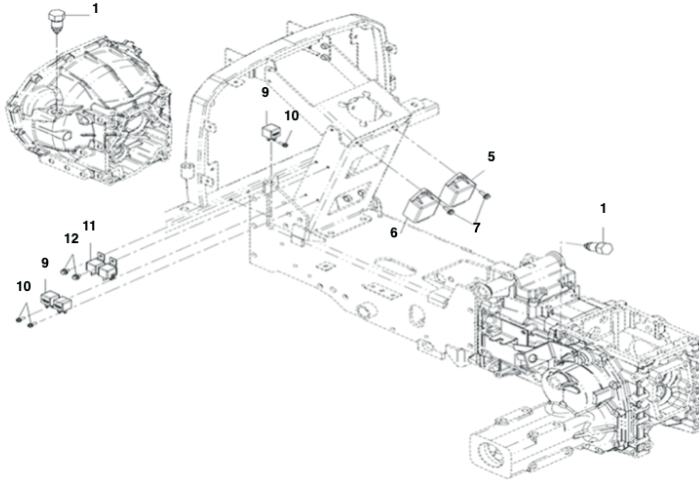
No.	Part No.	Part Name	(Q'ty)			2024h	3026h	Remarks
1	FE11010000H	BRACKER, BATTERY	1					
1	TA00063918A	BRACKER, BATTERY	1			X	X	
2	26013-100302	BOLT	4			X	X	M10X30
5	FE11050000A	ISOLATOR	1			X	X	
6	HA00000925A	ASS'Y BATTERY	1			X	X	
8	TTC4010000A4	CUSHION	2			X	X	
9	HA00000075C	CORD, BATTERY(+)	1			X	X	
11	HA00000076C	CORD, BATTERY(-)	1			X	X	M6X12
12	26106-080122	BOLT	1			X	X	
13	FE11130000C	BRACKET	1			X	X	
14	TA00044497A	BOLT, HOOK	2			X	X	M6
15	26366-060002	NUT	2			X	X	
16	FE11180000B	NET, RADIATOR	1			X	X	
17	FE11190000A	ISOLATOR	2			X	X	
18	FE11200000A	BRACKET	1			X	X	M6X12
19	26106-060122	BOLT	2			X	X	
20	RA00000709B	BAND	1			X	X	

11-1.(SWITCH)



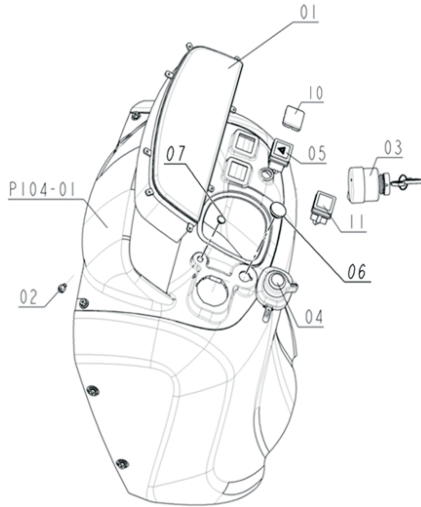
No.	Part No.	Part Name	2400 (Q'ty)	2610R				
1	TZC5140000A3	SWITCH, SAFETY	2 X	X				
2	HA0000012A	SWITCH, SAFETY	1 X	X				
3	23414-140000	GASKET	1 X	X				
5	HA0000821A	UNIT, FLASHER	1 X	X				
6	HA00001727A	UNIT, CONTROL	1 X	X				M6X20
7	26014-060202	BOLT	2 X	X				
8	RN66310000A3	BUZZER	1 X	X				
9	FTC5130000A3	RELAY	3 X	X				
10	26023-050162	BOLT	1 X	X				
11	FTB9160000A3	RELAY	2 X	X				M6X12
12	26022-060122		2 X	X				

11-2.(SWITCH)-HST



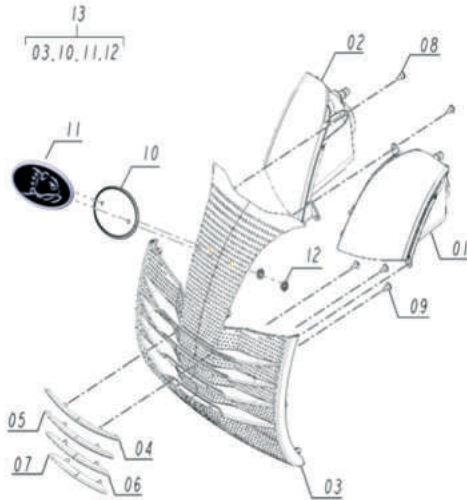
No.	Part No.	Part Name	(Q'ty)			2024h	3026h	
1	TZC514000A3	SWITCH, SAFETY	2			X	X	
5	HA0000821A	UNIT, FLASHER	1			X	X	
6	HA00001727A	UNIT, CONTROL	1			X	X	
7	26014-060202	BOLT	2			X	X	M6X20
9	FTC513000A3	RELAY	3			X	X	
10	26023-050162	BOLT	3			X	X	M5X16
11	FTB916000A3	RELAY	2			X	X	
12	26022-060122	BOLT	2			X	X	M6X12
13	HA0000013A	CONTROLLER(OPC)	1			X	X	

12. (PANEL BOARD)



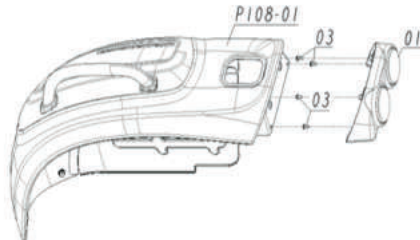
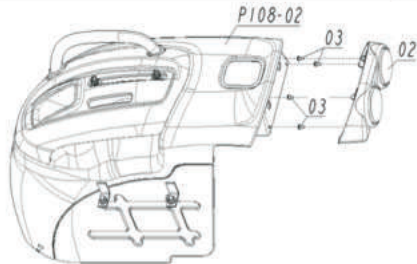
No.	Part No.	Part Name	(Q'ty)			2024h	3026h
1	HA00001412A	ASS'Y METER	1			X	X
2	22857-400080	SCREW, TAPPING	8			X	X
3	TTC5030000C3	SWITCH, STARTER	1			X	X
4	HA0000067A	SWITCH, COMBINAITON	1			X	X
5	FBK3510000A3	SWITCH, HAZARD	1			X	X
6	ITC5190000A	RUBBER	1			X	X
7	TTD6650000A	RUBBER	1			X	X
10	FEB1030000A	SWITCH RUBBER	1				
11	HA00000173A	SWITCH CRUSE	1			X	X

13. (HEAD RIGHT)



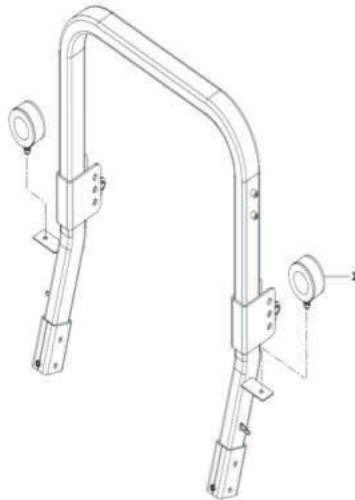
No.	Part No.	Part Name	(Q'ty)			2024h	3026h
1	HA0000981A	ASS'Y LIGHT, HEAD	1			X	X
2	HA0000982A	ASS'Y LIGHT, HEAD	1			X	X
3	TA00041012B	FRONT MASK	1			X	X
4	TA00041013A	DECORATION	1			X	X
5	TA00041014A	DECORATION	1			X	X
6	TA00041015A	DECORATION	1			X	X
7	TA00041016A	DECORATION	1			X	X
8	TTD7090000A4	SCREW	4			X	X
9	22587-350102	SCREW	8			X	X
10	TA00052416A	COVER	1			X	X
11	TA00083844A	EMBLEM	1			X	X
12	FE06040000A	PUSH NUT	2			X	X
13	TA00056273A	ASSY, B EMBLEM	1			X	X

14. (TAIL LIGHT)



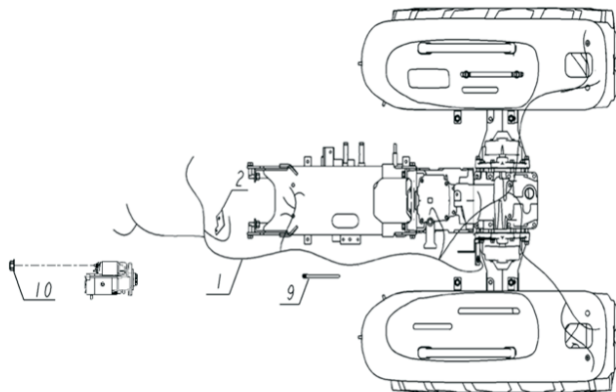
No.	Part No.	Part Name	(Q'ty)			2024h	3026h
1	TA00017211A	TAIL RAMP L ASS'Y	1			X	X
2	TA00017212A	TAIL RAMP R ASS'Y	1			X	X
3	TTD709000A4	SCREW	8			X	X

15.(WINKER LAMP)



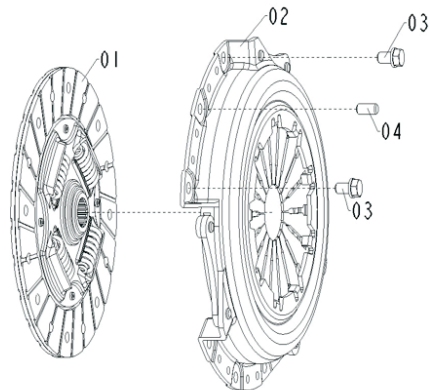
No.	Part No.	Part Name	(Q'ty)		2024h	3026h
1	HA00001756A	ASS'Y WINKER LAMP	2		X	X

16. (ELECTRICAL WIRING)



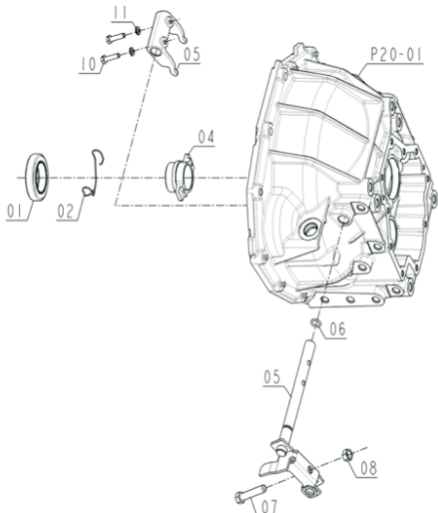
No.	Part No.	Part Name	(Q'ty)			2024h	3026h
1	HA00001674A	ASS'Y WIRE HARNESS	1				
1	HA00001675A	ASS'Y WIRE HARNESS	1			X	X
2	FE19020000C	BRACKET	1			X	X
9	TB39260000A	BAND, CORD	5			X	X
10	26337-050002	NUT	1			X	X

17. (CLUTCH)



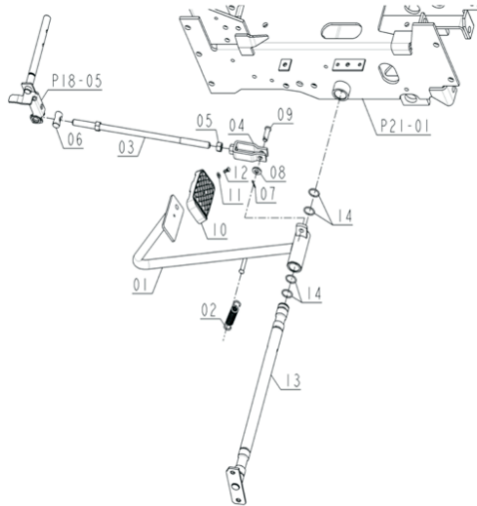
No.	Part No.	Part Name	(Q'ty)			2024h	3026h	
1	FE21010000A	CLUTCH DISK ASS'Y	1			X	X	
2	FE21020000A	COMP. PLATE, PRESSURE	1			X	X	
3	26013-080162	BOLT	6			X	X	M8X16
4	22351-080016	PIN, STRAIGHT	3			X	X	

18. (CLUTCH ROD)



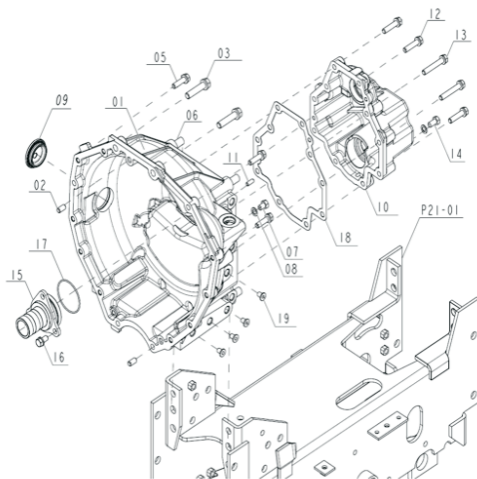
No.	Part No.	Part Name	(Q'ty)			2024h	3026h	
1	FE22010000A	BEARING, RELEASE	1			X	X	
2	FE22020000A	HOLDER, BEARING	1			X	X	
3	TA00019426A	FORK, CLUTCH RELEASE	1			X	X	
4	FE22040000A	SPRING	1			X	X	
5	TA00064347A	SHAFT, CLUTCH ROD	1			X	X	
6	24311-000120	O RING	1			X	X	
7	26116-100504	BOLT	1			X	X	M10X50
8	26712-100002	NUT	1			X	X	M10
10	TA00019440A	BOLT	2			X	X	
11	22217-060000	WASHER, SPRING	2			X	X	

19. (CLUTCH PADAL)



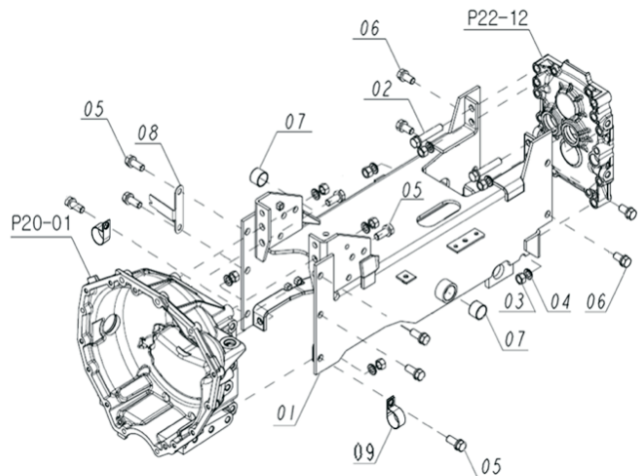
No.	Part No.	Part Name	(Q'ty)	2024h	3026h
1	TA00063919A	PEDAL, CLUTCH	1	X	X
2	FE23030000A	SPRING, CLUTCH	1	X	X
3	FE23050000A	ROD, CLUTCH	1	X	X
4	FE23060000A	U_JOINT	1	X	X
5	TT67040000A4	NUT_L	1	X	X
6	FE23080000A	PIN CLUTCH	1	X	X
7	22417-200160	COTTER PIN	1	X	X
8	22127-100000	WASHER	1	X	X
9	22486-100240	PIN, FASTENER	1	X	X
10	TC73050000A3	COVER, PEDAL	1	X	X
11	TC73040000A4	WASHER	1	X	X
12	TC73030000A4	REJET	1	X	X
13	TA00017078B	SHAFT, PEDAL	1	X	X
14	24311-000210	O_RING	4	X	X

20. (CLUTCH HOUSING)



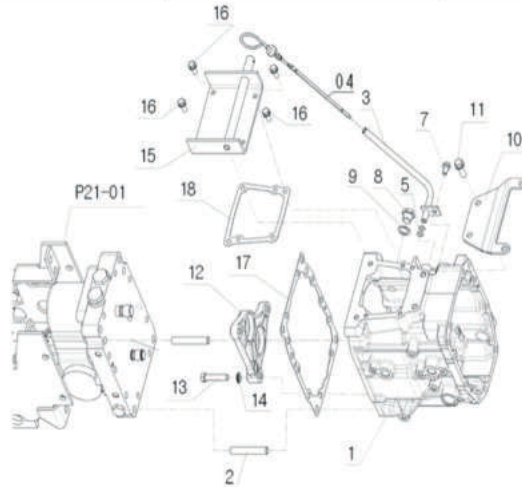
No.	Part No.	Part Name	(Q'ty)			2024h	3026h	
1	FE24010000B	HOUSING, CLUTCH	1			X	X	
2	22312-080140	PIN, STRAIGHT	2			X	X	
3	26013-100452	BOLT	2			X	X	M10X45
4	26013-080452	BOLT	2			X	X	M8X45
5	26013-080302	BOLT	11			X	X	M8X30
6	26216-120252	STUD,BOLT	4			X	X	
7	26116-080122	BOLT	1			X	X	M8X12
8	23414-080000	PACKING	2			X	X	
9	FE24100000A	SEAL CAP	1			X	X	
10	FE24110000C	COVER, CLUTCH HOUSING	1			X	X	
11	22312-060140	PIN, STRAIGHT	2			X	X	
12	26013-080352	BOLT	4			X	X	M8X35
13	26013-080502	BOLT	6			X	X	M8X50
14	26116-080162	PLUG	1			X	X	M8X16
15	FE24170000A	BEARING CASE	1			X	X	
16	26013-080162	BOLT	3			X	X	M8X16
17	24341-000530	O. RING	1			X	X	
18	FE24200000A	PACKING, CLUTCH HOUSING	1			X	X	
19	TB26070000A	PLUG	8			X	X	

21. (CENTER FRAME)



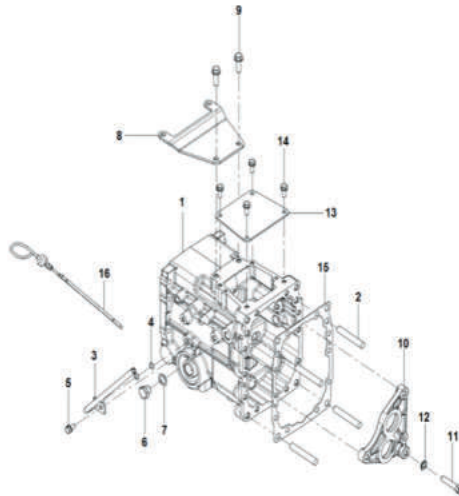
No.	Part No.	Part Name	(Q'ty)			2024h	3026h	
1	TA0054902A	COMP. FRAME, CENTER	1					
1	FE25010000L	COMP. FRAME, CENTER	1			X		
1	TA00052578A	COMP. FRAME, CENTER	1					
1	TA00050188B	COMP. FRAME, CENTER	1					
1	TA00059898A	COMP. FRAME, CENTER	1					M12X65
1	TA00060274A	COMP. FRAME, CENTER	1				X	M12X65
2	26013-120652	BOLT	2			X	X	
3	26716-120002	NUT	8			X	X	M12X30
4	22217-120000	WASHER, SPRING	8			X	X	M12X25
5	26013-120302	BOLT	8			X	X	
6	26013-120252	BOLT	4			X	X	
7	24550-025200	BUSH(25X28X20)	2			X	X	
8	TA00049206A	BRACKET	1			X	X	
9	TA00003081A	CLIP12	2			X	X	

23-1. (TRANSMISSION CASE)



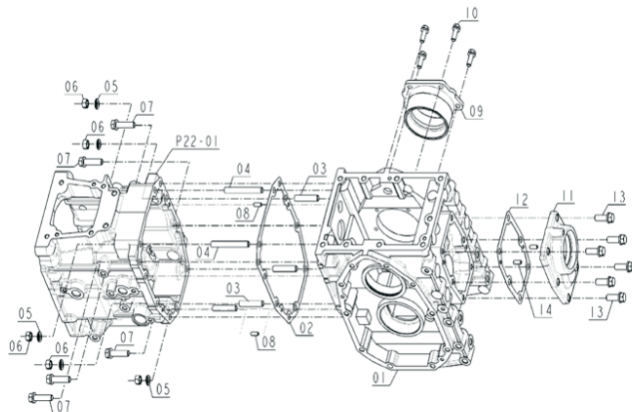
No.	Part No.	Part Name	(Q'ty)			2024h		
1	TA00003027E	CASE, TRANSMISSION	1			X		
2	26216-120602	STUD,BOLT	4			X		
3	FE27030000A	PIPE, OIL GAUGE	1			X		
4	FE27040000A	GAUGE, OIL	1			X		
5	24311-000100	O RING	2			X		M8X16
7	26013-080162	BOLT	1			X		
8	23887-160002	PLUG	1			X		
9	23414-160000	PACKING	1			X		
10	FE27100000A	BRACKET	1			X		M10X30
11	26013-106302	BOLT	2			X		
12	TA00003024A	HOLDER, BEARING	1			X		
13	TA00016301A	BOLT, REAMER	3			X		
14	22217-100000	WASHER, SPRING	3			X		
15	TA00017200A	COVER, UPPER	1			X		M6X20
16	26013-080202	BOLT	4			X		
17	FE27130000A	PACKING	1			X		
18	FE27180000A	PACKING, ASSYCOVER	1			X		

23-2. (TRANSMISSION CASE)



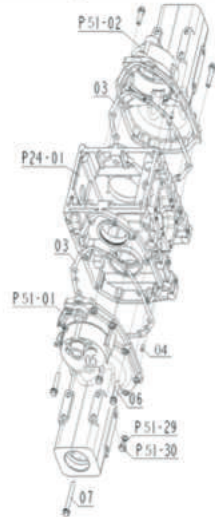
No.	Part No.	Part Name	(Q'ty)						3026h
1	TA00050109B	CASE, TRANSMISSION	1						X
2	26216-120602	STUD,BOLT	4						X
3	TA00050521A	PIPE, OIL GAUGE	1						X
4	24311-000100	O RING	2						X
5	26013-080162	BOLT	1						X M8X16
6	23887-160002	PLUG	1						X
7	23414-160000	PACKING	1						X
8	TA00051987A	BRACKET	1						X
9	26013-100302	BOLT	2						X M10X30
10	TA00003024A	HOLDER, BEARING	1						X
11	TA00016301A	BOLT, REAMER	3						X
12	22217-100000	WASHER, SPRING	3						X
13	TA00050560B	COVER, UPPER	1						X
14	26013-080202	BOLT	4						X M8X20
15	FE27130000A	PACKING	1						X
16	TA00050557A	GAUGE, OIL	1						
16	TA00060938A	GAUGE, OIL	1						X

24. (DIFFERENTIAL GEAR CASE)



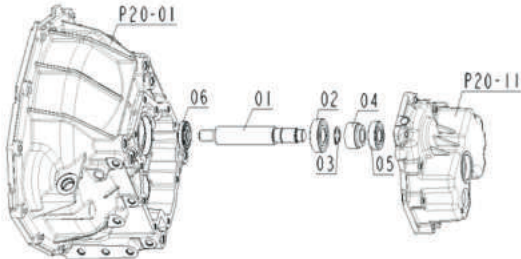
No.	Part No.	Part Name	(Q'ty)			2024h	3026h	
1	FE29010000F	CASE, DIFF. GEAR	1			X	X	
2	FE29020000A	PACKING, CASE, DIFF. GEAR	1			X	X	
3	26216-100352	STUD,BOLT	4			X	X	
4	26216-100652	STUD,BOLT	2			X		
4	TA00052349A	STUD,BOLT	2				X	
5	22217-100000	WASHER, SPRING	6			X	X	
6	26716-100002	NUT	6			X	X	M10
7	26013-100402	BOLT	5			X	X	M10X40
8	22312-060140	PIN, STRAIGHT	2			X	X	
9	FE29080000A	HOLDER, DIFF. BRG. RH	1			X	X	
10	26013-080252	BOLT	4			X	X	M8X25
11	FE29100000A	COVER, REAR	1			X	X	
12	FE29110000A	PACKING, COVER, REAR	1			X	X	
13	26013-100302	BOLT	6			X	X	M10X30
14	22312-060140	PIN, STRAIGHT	2			X	X	

25. (REAR AXLE CASE)



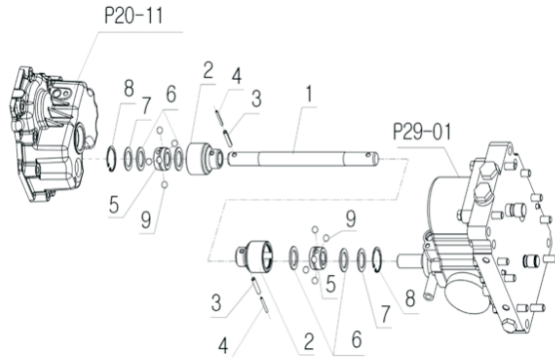
No.	Part No.	Part Name	(Q'ty)			2024h	3026h	
3	FE30030000A	PACKING, CASE, AXLE, RH	2			X	X	
4	22312-060140	PIN, STRAIGHT	4			X	X	
5	26013-100352	BOLT	8			X	X	M10X35
6	26013-100502	BOLT	10			X	X	M10X50
7	26013-100802	BOLT	2			X	X	M10X80

26. (CLUTCH SHAFT)



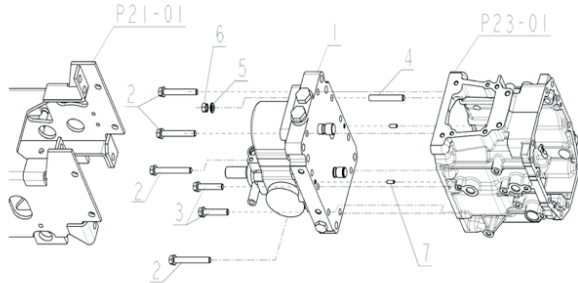
No.	Part No.	Part Name	(Q'ty)			2024h	3026h	
1	FE31010000A	SHAFT, CLUTCH	1			X	X	
2	24101-062044	BEARING, BALL	1			X	X	6204
3	22242-000200	CIR CLIP, EXTERNAL	1			X	X	
4	FE31040000A	GEAR, CLUTCH SHAFT	1			X	X	
5	24101-062034	BEARING, BALL	1			X	X	6203
6	FE31060000A	SEAL, OIL	1			X	X	

28.(PROPELLER SHAFT)-HST



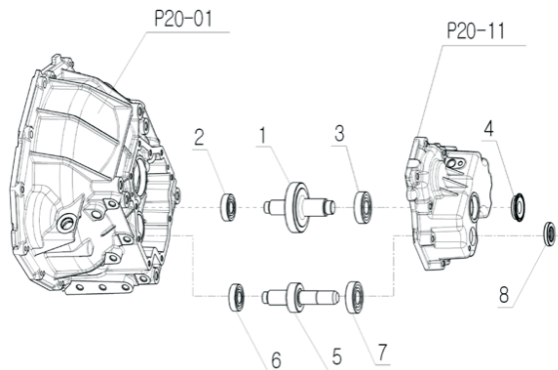
No.	Part No.	Part Name	(Q'ty)			2024h	3026h
1	TA00002851A	SHAFT, PROPELLER	1			X	
1	TA00050482A	SHAFT, PROPELLER	1				
1	TA00060280A	SHAFT, PROPELLER	1				X
2	FE32020000A	COUPLING, BALL OUTER	2			X	X
3	22351-060032	PIN, SPRING	2			X	X
4	22351-035032	PIN, SPRING	2			X	X
5	FE32050000A	COUPLING, BALL INNER	2			X	X
6	FE32060000A	GASKET, BALL JOINT	4			X	X
7	FE32070000A	SUPPORT, GASKET	2			X	X
8	22252-000350	CIR CLIP, INTERNAL	2			X	X
9	24190-120001	BALL	8			X	X

29. (HST)



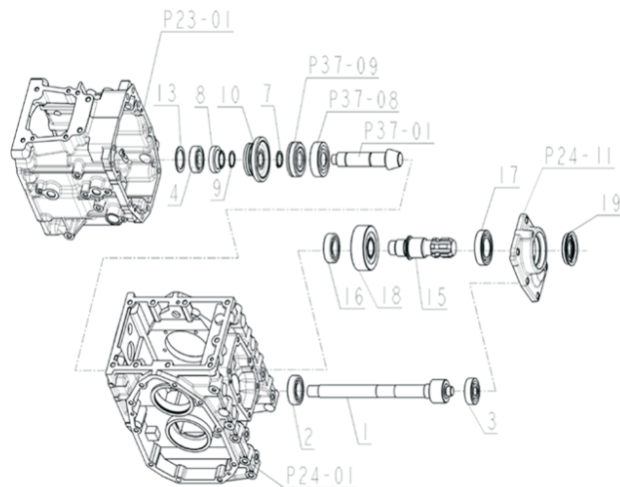
No.	Part No.	Part Name	(Q'ty)			2024h	3026h	
1	TA00049475A	ASSY HST	1			X	X	
2	26106-100752	BOLT	4			X	X	M10X75
3	26013-100552	BOLT	5			X	X	M10X55
4	TA00017828A	STUD,BOLT	1			X	X	M10X60
5	22217-100000	WASHER, SPRING	1			X	X	
6	26716-100002	NUT	1			X	X	M10
7	22312-060140	PIN, STRAIGHT	2			X	X	

31. (FRONT SHAFT)-HST



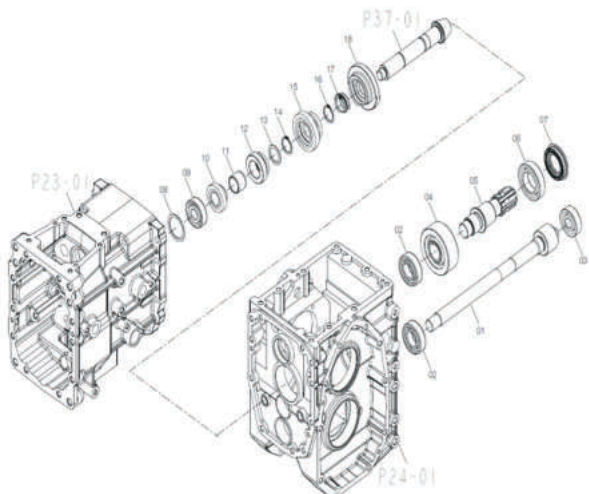
No.	Part No.	Part Name	(Q'ty)			2024h	3026h	
1	TA00002953A	SHAFT, FRONT	1			X	X	
2	RR1917000A3	BEARING, BALL	1			X	X	
3	24101-062044	BEARING, BALL	1			X	X	6204
4	FE35050000A	SEAL, CAP	1			X	X	
5	TA00002954A	SHAFT, FRONT	1			X	X	
6	24101-062034	BEARING, BALL	1			X	X	6203
7	RR2111000A3	BEARING, BALL	1			X	X	
8	TA00028848A	SEAL, OIL	1			X	X	

33. (PTO SHAFT)-HST



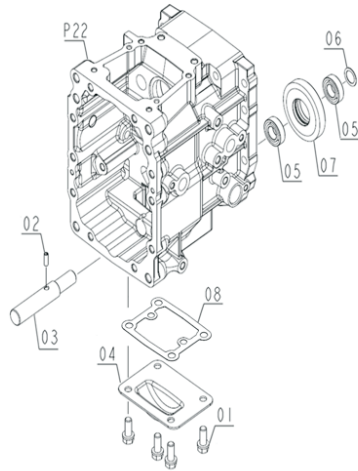
No.	Part No.	Part Name	(Q'ty)			2024h	3026h
1	TA00002959A	GEAR-SHAFT	1			X	
2	TT58010000A4	BEARING, BALL	1			X	
3	24101-063034	BEARING, BALL	1			X	6303
4	24510-730320	BEARING, BALL	1			X	
7	FE37080000B	CIR CLIP, EXTERNAL	1			X	
8	FE37090000A	GEAR, 4WD	1			X	
9	22242-000250	CIR CLIP, EXTERNAL	1			X	
10	TA00031465B	GEAR	1			X	
13	FGE8040000A	WASHER	1			X	
15	FE37160000B	SHAFT, PTO	1			X	
16	TT58010000A4	BEARING, BALL	1			X	
17	24101-060074	BEARING, BALL	1			X	6007
18	FE37190000A	GEAR	1			X	
19	FE37200000A	SEAL, OIL	1			X	

33. (PTO SHAFT)-HST



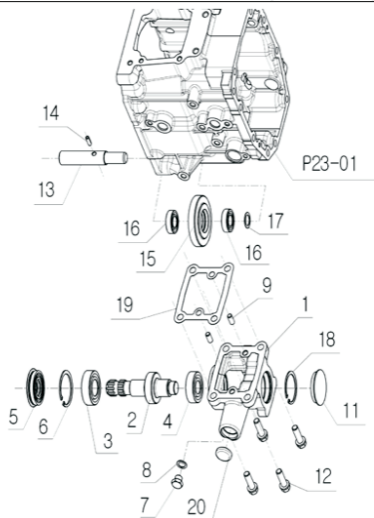
No.	Part No.	Part Name	(Q'ty)						3026h
1	TA00050309A	GEAR-SHAFT	1						X
2	TT58010000A4	BEARING, BALL	2						X
3	24101-063034	BEARING, BALL	1						X 6303
4	FE37190000A	GEAR	1						X
5	FE37160000B	SHAFT, PTO	1						X
6	24101-060074	BEARING, BALL	1						X
7	FE37200000A	SEAL, OIL	1						X
8	FGE8040000A	WASHER	1						X
9	24510-730320	BEARING, BALL	1						X
10	FE37090000A	GEAR, 4WD	1						X
11	TA00052312A	BUSH(H)	1						X
12	TA00052314A	GEAR	1						X 6007
13	TA00056596A	WASHER	1						X
14	22242-000250	CIR CLIP, EXTERNAL	1						X
15	TA00056584A	GEAR	1						X
16	TA00058616A	CIR CLIP	1						X
17	TA00056577A	CIR CLIP	1						X
18	TA00056585A	BUSH(L)	1						X

34. MID PTO



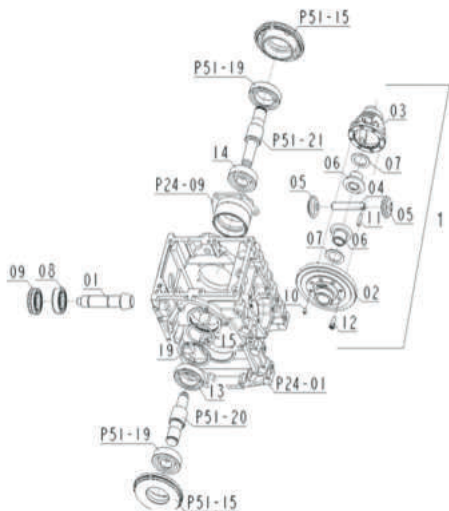
No.	Part No.	Part Name	(Q'ty)			2024h	3026h
1	26013-100252	BOLT	4			X	X
2	22351-060016	PIN	1			X	X
3	FE39300000C	SHAFT	1			X	X
4	TA00058558A	COVER	1			X	X
5	CTC1040000A	BEARING, BALL	2			X	X
6	FE39340000A	WASHER	1			X	X
7	FE39320000A	GEAR, MID PTO	1			X	X
7	TA00052485B	GEAR, MID PTO	1				
8	FT39350000A	MID PTO CASE PACKING	1			X	X

36. MID PTO-HST (OPTION)



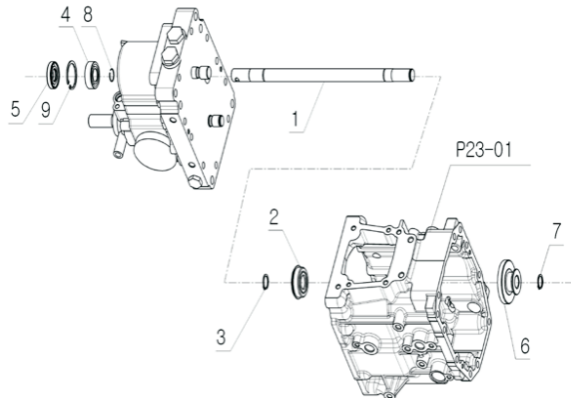
No.	Part No.	Part Name	(Q'ty)			2024h	3026h	
1	TA00003057B	CASE, MID PTO	1			X	X	
2	TA00003065A	SHAFT, GEAR	1			X	X	
3	24101-062054	BEARING, BALL	1			X	X	6205
4	24101-062044	BEARING, BALL	1			X	X	6204
5	FE39060000A	SEAL, MID PTO	1			X	X	
6	22252-000520	CIR CLIP, INTERNAL	1			X	X	
7	23887-120002	PLUG	1			X	X	
8	23414-120000	PACKING	1			X	X	
9	22312-080160	PIN, STRAIGHT	2			X	X	
11	27260-470001	SEAL CAP	1			X	X	
12	26013-100352	BOLT	4			X	X	M10X35
13	FE39300000A	SHAFT, IDLE	1			X	X	
14	22351-060016	PIN, SPRING	1			X	X	
15	FE39320000A	GEAR, M-PTO	1			X	X	
16	CTC1040000A4	BEARING, BALL	2			X	X	
17	FE39340000A	COLLAR, THRUST	1			X	X	
18	22252-000470	CIR CLIP, INTERNAL	1			X	X	
19	FE39350000A	PACKING	1			X	X	
20	FE39020000A	SEAL CAP	1			X	X	
21	TA00058622A	2024h MID PTO KIT	1			X		KIT
22	TA00058624A	3026h MID PTO KIT	1				X	KIT

37. (REAR DIFFERENTIAL)



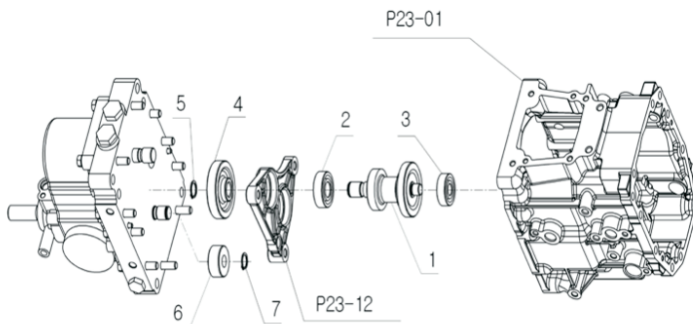
No.	Part No.	Part Name	(Q'ty)			2024h	3026h	
1	FE41010000A	ASSY,BEVEL GEAR	1			X		
1	TA00050678A	ASSY,BEVEL GEAR	1				X	
1	TA00057961A	ASSY,BEVEL GEAR	1					
1-1	FE41020100A	DRIVE PINION	1			X		
1-1	TA00050362A	DRIVE PINION	1					X
1-1	TA00057963A	DRIVE PINION	1					
1-2	FE41020200A	RING GEAR	1			X	X	
1-3	FE41030000A	CASE, DIFFERENTIAL	1			X	X	
1-4	FE41040000B	SHAFT, DIFF. PINION	1			X	X	
1-5	FE41050000B	PINION, DIFF.	2			X	X	
1-6	FE41060000B	GEAR, DIFF. SIDE	2			X	X	
1-7	FE41070000A	SHIM	2			X	X	
1-8	24101-063054	BEARING, BALL	1			X	X	
1-9	24121-063054	BEARING, BALL	1			X	X	
1-10	FE41100000A	PIN, LOCK	1			X	X	
1-11	FE41110000A	PIN, STRAIGHT	1			X	X	
1-12	TC57080000A4	BOLT, UBS	6			X	X	10.9T
13	TA00000749A	BEARING, BALL	1			X	X	6009
14	24101-060104	BEARING, BALL	1			X	X	6010
15-2	FE41160000A	SHIM, DIFF. SIDE	1			X	X	
15-3	TA00018029A	SHIM, DIFF. SIDE	1			X	X	
19	22252-000750	CIR CLIP, INTERNAL	1			X	X	

39. (FRONT WHEEL PROPELLER SHAFT)-HST



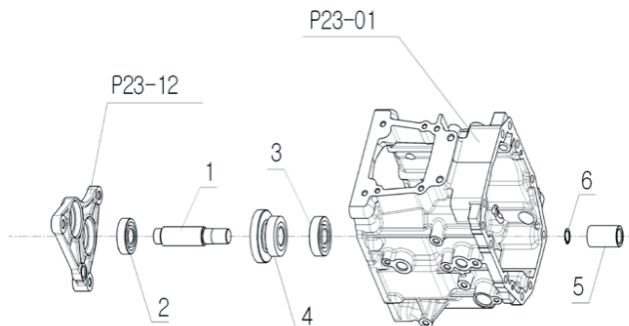
No.	Part No.	Part Name	(Q'ty)	2024h	3026h
1	TA00002973A	4WD SHAFT, 4WD	1	X	X
2	24121-062044	BEARING, BALL	1	X	X
3	22242-000200	CIR CLIP, EXTERNAL	1	X	X
4	TA00003033A	BEARING	1	X	X
5	TA00003084A	SEAL, OIL	1	X	X
6	FE42090000A	4WD GEAR, 4WD	1	X	X
7	22242-000190	CIR CLIP, EXTERNAL	1	X	X
8	TA00003042A	CIR CLIP, EXTERNAL	1	X	X
9	22252-000420	CIR CLIP, INTERNAL	1	X	X

41. 2(2ND SHAFT)-HST



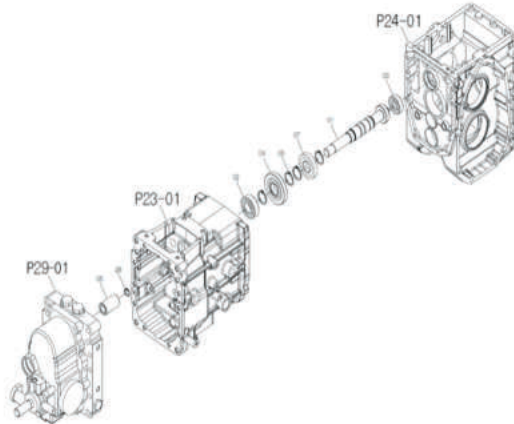
No.	Part No.	Part Name	(Q'ty)			2024h	3026h
1	TA00002854A	(13T-18T) GEAR-SHAFT	1			X	X
2	RR21110000A3	TMB204 BEARING, BALL	1			X	X
3	TT72040000A4	TMB302 BEARING, BALL	1			X	X
4	TA00002884A	(27T) GEAR	1			X	X
5	22242-000200	CIR CLIP, EXTERNAL	1			X	X
6	TA00002958A	(14T) GEAR	1			X	X
7	22242-000180	CIR CLIP, EXTERNAL	1			X	X

43. 3(HST)(3RD.SHAFT)-HST



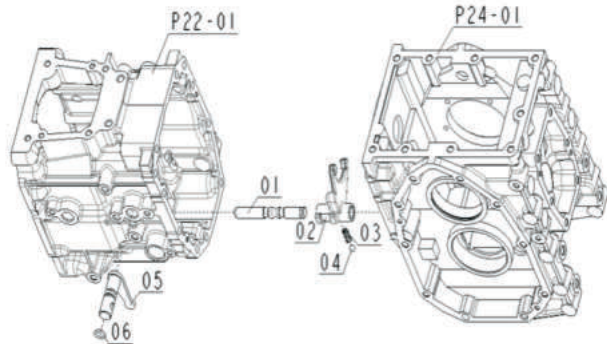
No.	Part No.	Part Name	(Q'ty)			2024h	3026h	
1	TA00002885A	(HST) SHAFT	1			X	X	
2	24101-062044	BEARING, BALL	1			X	X	6204
3	24101-063044	BEARING, BALL	1			X	X	6304
4	FE46040000B	(17-13) GEAR	1			X	X	
5	TA00002852A	COUPLING	1			X	X	
6	22252-000180	CIR CLIP, INTERNAL	1			X	X	

45. 4(HST)(4TH. SHAFT)-HST



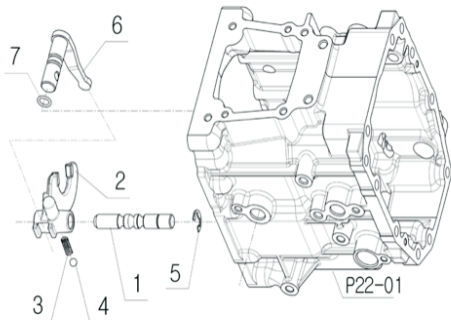
No.	Part No.	Part Name	(Q'ty)						3026h	
1	TA00052324A	(14)H GEAR-SHAFT	1						X	
2	24101-062054	BEARING, BALL	1						X	
3	TT72040000A4	TMB302 BEARING, BALL	1						X	6205
4	TA00052343A	(23)H GEAR	1						X	
5	TA00002852A	COUPLING	1						X	
6	22252-000180	CIR CLIP, INTERNAL	1						X	
7	TA00052342A	(17)H GEAR	1						X	
8	22242-000280	CIR CLIP	4						X	

47. (RANGE GEAR SHIFT FORK)



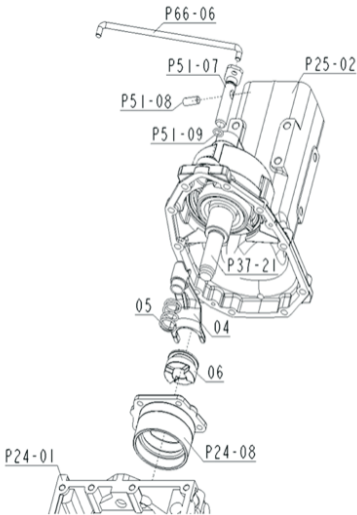
No.	Part No.	Part Name	(Q'ty)			2024h	3026h
1	FE51010000A	ROD, FORK	1			X	
1	TA00052347B	ROD, FORK	1				X
2	FE51020000D	FORK, RANGE SHIFT	1			X	X
3	FE51030000B	SPRING, STOPPER	1			X	X
4	24190-100001	BALL	1			X	X
5	FE51050000B	ARM, RANGE SHIFT	1			X	X
6	24311-000125	O RING	1			X	X

49. PTO (HST)(PTO GEAR SHIFT FORK)-HST



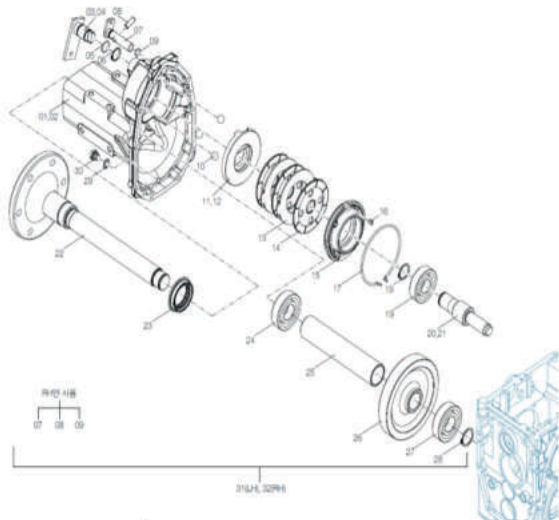
No.	Part No.	Part Name	(Q'ty)			2024h	3026h
1	TA00003066A	(HST) ROD, FORK	1			X	X
2	FE53020000A	PTO FORK, PTO SHIFT	1			X	X
3	FE51030000B	SPRING, STOPPER	1			X	X
4	24190-100001	BALL	1			X	X
5	22272-000120	SNAP,RING	1			X	X
6	FE53060000A	PTO ARM, PTO SHIFT	1			X	X
7	24311-000125	O RING	1			X	X

50. (DIFFERENTIAL LOCK SHIFT FORK)



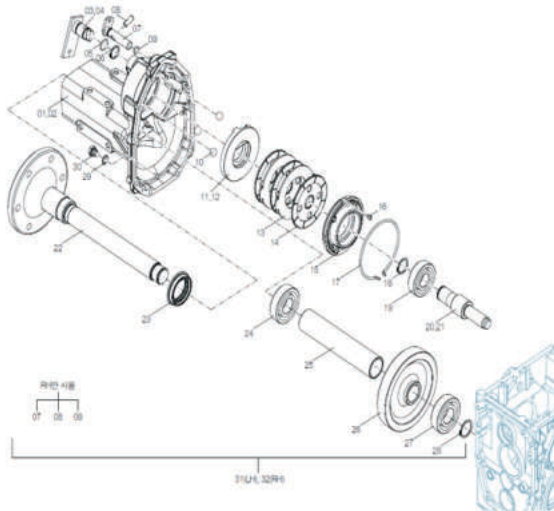
No.	Part No.	Part Name	(Q'ty)			2024h	3026h
4	FE55040000C	FORK, DIFF. LOCK SHIFT	1			X	X
5	FE55050000A	SPRING	1			X	X
6	FE55060000A	CLUTCH, DIFF. LOCK	1			X	X

51. (REAR AXLE ASSY)



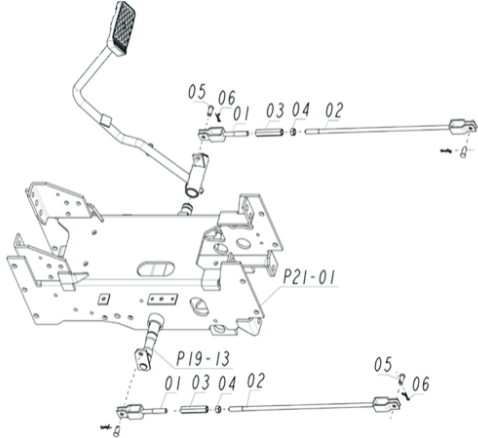
No.	Part No.	Part Name	(Q'ty)			2024h	3026h
1	FE30010000A	CASE, AXLE LH	1			X	X
2	FE30020000A	CASE, AXLE RH	1			X	X
3	FE57010000A	LEVEL, CAM LH	1			X	X
4	FE57020000A	LEVEL, CAM RH	1			X	X
5	24311-000210	O RING	2			X	X
6	22242-000250	CIR-CLIP	2			X	X
7	FE55010000B	ROD, FORK	1			X	X
8	22312-100250	PIN, STRAIGHT	1			X	X
9	24311-000125	O RING	1			X	X
10	24190-200001	BALL	6			X	X
11	FE57060000A	ACTUATOR LH	1			X	X
12	FE57070000A	ACTUATOR RH	1			X	X
13	FE57080000A	DISK, BRAKE	6			X	X
14	FE57090000A	PLATE	4			X	X
15	FE57100000A	HOLDER, BEARING	2			X	X
16	FE57110000A	PIN	2			X	X
17	FE57120000A	CLIP	2			X	X
18	22242-000300	CIR-CLIP	2			X	X
19	24101-063064	BEARING, BALL	2			X	X
20	FE41200000A	SHAFT, DIFF. GEAR LH	1			X	X
21	FE41210000A	SHAFT, DIFF. GEAR RH	1			X	X
22	FE56010000B	AXLE, REAR	2			X	
22	TA00039489B	AXLE, REAR	2				X
23	FE56070000A	50X68X11.5/16 SEAL, OIL	2			X	X
24	24101-062084	(6208) BEARING, BALL	2			X	X
25	FE56050000A	242 COLLAR	2			X	X
26	FE56040000A	(57) GEAR	2			X	X
27	24101-063074	(6307) BEARING, BALL	2			X	X

51. (REAR AXLE ASSY)



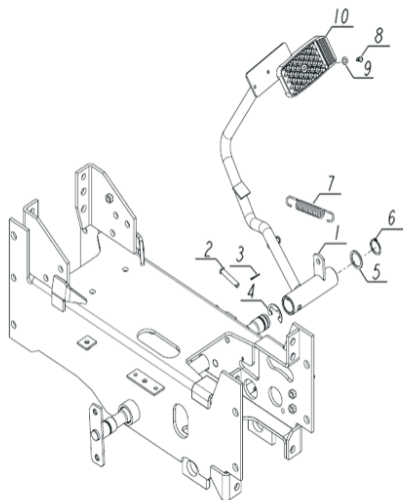
No.	Part No.	Part Name	(Q'ty)			2024h	3026h
28	22242-000350	CIR CLIP, EXTERNAL	2			X	X
29	23414-120000	PACKING	2			X	X
30	23887-120002	PLUG	2			X	X
31	TA00056813B	(LH,00) ASS'Y, REAR SHAFT	1			X	
31	TA00056815B	(LH,3100) ASS'Y, REAR SHAFT	1				X
32	TA00056814B	(RH,00) ASS'Y, REAR SHAFT	1			X	
32	TA00056816B	(RH,3100) ASS'Y, REAR SHAFT	1				X

53. (BRAKE ROD)



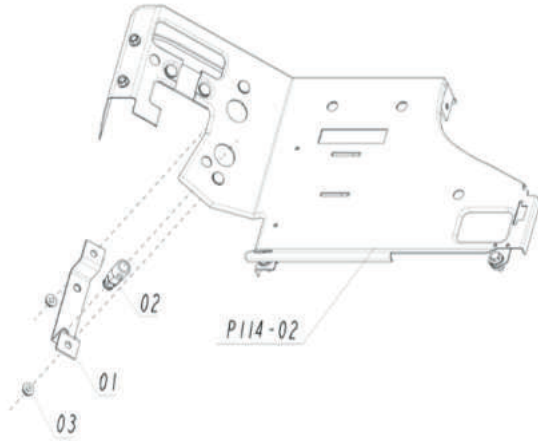
No.	Part No.	Part Name	(Q'ty)			2024h	3026h	
1	FE59010000A	ROD, BRAKE FRONT	2			X	X	
2	FE59020000B	ROD, BRAKE REAR	2			X		
2	TA00039575A	ROD, BRAKE REAR	2				X	
3	TC73080300A4	TURNBUCKLE	2			X	X	M10
4	26716-100002	NUT	2			X	X	
5	TT83010000A4	PIN, FASTENER	4			X	X	
6	RR6405000A4	PIN, SNAP	4			X	X	

54. (BRAKE PEDAL)



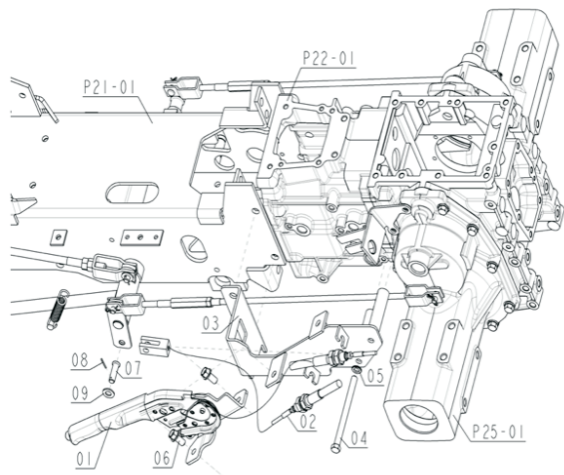
No.	Part No.	Part Name	(Q'ty)	2024h	3026h
1	TA00063920A	PEDAL, BRAKE	1	X	X
2	22487-080400	PIN, JOINT	1	X	X
3	22417-200180	PIN, SPLIT	1	X	X
4	22272-000190	RING	1	X	X
5	FE71050000A	COLLAR	1	X	X
6	22242-000240	CLIP	1	X	X
7	FE23040000A	SPRING, BRAKE RETURN	2	X	X
8	TC73030000A	REJET	2	X	X
9	TC73040000A	WASHER	2	X	X
10	TC73050000A	COVER, PEDAL	2	X	X

55. (BRAKE SWITCH)



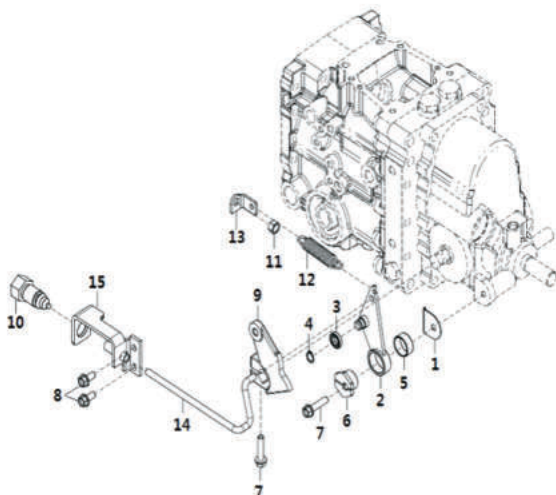
No.	Part No.	Part Name	(Q'ty)			2024h	3026h	
1	TA00016905B	BRAKET SWITCH	1			X	X	
2	TZC5110000A3	SWITCH	1			X	X	
3	26366-080002	NUT	2			X	X	MB

56. (SIDE BRAKE)



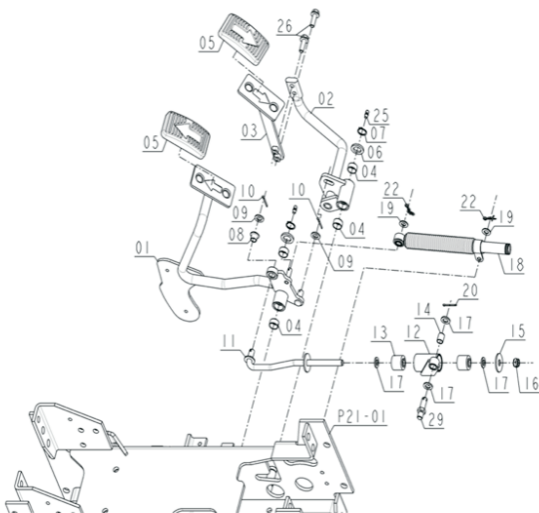
No.	Part No.	Part Name	(Q'ty)			2024h	3026h	
1	TA00001403A	LEVER, PARKING	1			X	X	
2	TA00017080A	WIRE	1			X	X	
3	TA00063921A	BRACKET	1			X		
3	TA00050562F	BRACKET	1					
3	TA00063922A	BRACKET	1				X	M10X135
4	26116-101352	BOLT	2			X	X	
5	22217-100000	WASHER	2			X	X	M10X20
6	26106-100202	BOLT	2			X	X	
7	22486-100280	PIN, FASTENER	1			X	X	
8	22417-200160	COTTER PIN	1			X	X	
9	22127-100000	WASHER	1			X	X	

58. (HST)(NEUTRE HOLDER LINK) - HST



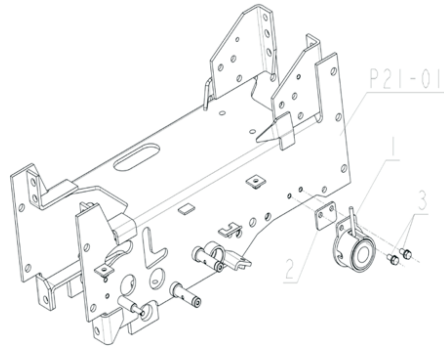
No.	Part No.	Part Name	(Q'ty)			2024h	3026h	
1	TA00017040A	SPACER	1			X	X	
2	TA00017044A	ASSY ARM, NEUTRAL	1			X	X	
3	24107-068014	BEARING, BALL	1			X	X	
4	22242-000120	CIR CLIP, EXTERNAL	1			X	X	
5	24550-025120	BUSH	1			X	X	
6	TA00017037A	SHAFT, HOLDER	1			X	X	
7	26106-100352	BOLT	2			X	X	M8X35
8	26106-080182	BOLT	2			X	X	M8X18
9	TA00017036C	HOLDER, NEUTRAL	1			X	X	
10	TZC5140000A3	SWITCH, SAFETY	1			X	X	
11	26712-100002	NUT	1			X	X	
12	TA00017073A	SPRING	1			X	X	
13	TA00044436A	BRACKET	1			X	X	
14	TA00017059B	ROD, HST NEUTRAL	1			X	X	
15	TA00017060C	STAY, NEUTRAL SWITCH	1			X	X	

59. - HST(F-R PEDAL)



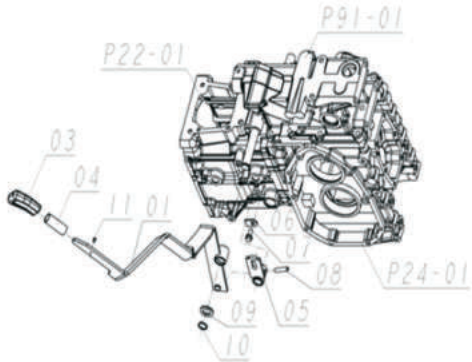
No.	Part No.	Part Name	(Q'ty)	2024h	3026h	
1	TA00063923A	ASSY PEDAL, HST	1	X	X	
2	TA00063926A	ASSY PEDAL, HST	1	X	X	
3	TA00063925A	ASSY PEDAL, HST	1	X	X	
4	24550-016100	BUSH	4	X	X	
5	TA00001508A	COVER, PEDAL	2	X	X	
6	TA00017361A	WASHER	2	X	X	
7	22242-000160	CIR CLIP, EXTERNAL	2	X	X	
8	TA00017360A	BUSH	1	X	X	
9	22117-100000	WASHER, PLAIN	2	X	X	
10	22417-250220	COTTER PIN	2	X	X	
11	TA00017051A	ROD, A	1	X		
11	TA00050553A	ROD, A	1			
11	TA00060284A	ROD, A	1		X	
12	TA00017053A	ROD, B	1	X	X	
13	TA00017057A	CUSHION, ROBBER	2	X	X	
14	24550-010150	BUSH	1	X	X	
15	22157-100000	WASHER, PLAIN	1	X	X	
16	26346-100002	U NUT	1	X	X	
17	22117-100000	WASHER, PLAIN	4	X	X	
18	TA00017172A	DAMPER, HST	1	X	X	
19	22127-080000	WASHER, PLAIN	2	X	X	
20	22417-250220	COTTER PIN	1	X	X	
22	RR64050000A4	PIN, SNAP	2	X	X	
25	24764-060000	NIPPLE, GREASE	2	X	X	M8X25
26	26106-080252	BOLT	2	X	X	
29	TA00017038A	STUD, BOLT	1	X	X	

60. -HST(CRUISE LEVER)



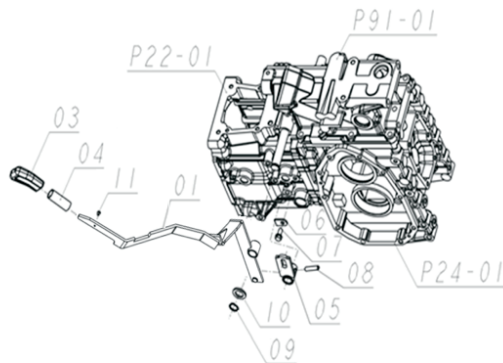
No.	Part No.	Part Name	(Q'ty)			2024h	3026h	
1	HA0000037A	CRUISE MAGNET	1			X	X	
2	TA00017479A	WASHER, PLAIN	1			X	X	
3	26013-080252	BOLT	2			X	X	M8X25

61. (RANGE GEAR SHIFT LEVER)



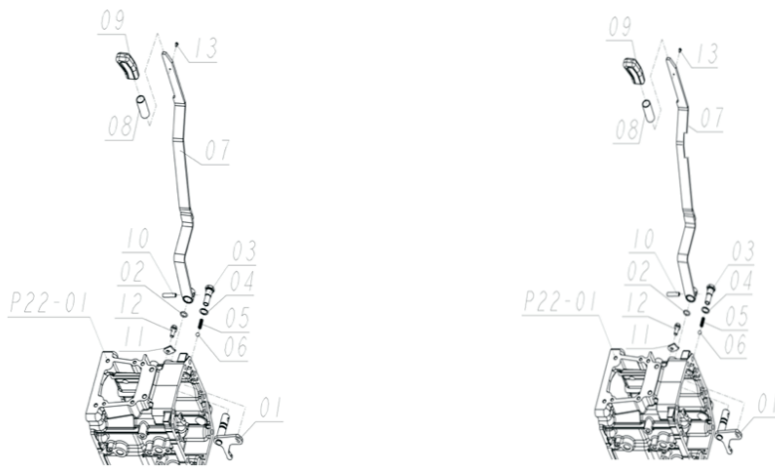
No.	Part No.	Part Name	(Q'ty)			2024h	3026h	
1	TA00054846A	LEVER, RANGE SHIFT	1			X		
3	TA00017708B	GRIP, LEVER	1			X		
4	TA00016636A	HOSE	1			X		16X50
5	FE67050000B	LEVER, SHIFT ARM	1			X		
6	RN41050000A4	PLATE	1			X		
7	26013-080202	BOLT	1			X		M8X20
8	22351-080030	PIN, SPRING	1			X		
9	22117-180000	WASHER, PLAIN	1			X		
10	22242-000180	CIR CLIP, EXTERNAL	1			X		
11	26023-040102	SCREW	1			X		

61-1. (RANGE GEAR SHIFT LEVER)



No.	Part No.	Part Name	(Q'ty)			2024h	3026h	
1	TA00050527B	LEVER, RANGE SHIFT	1					
1	TA00060306B	LEVER, RANGE SHIFT	1				X	
3	TA00017708B	GRIP, LEVER	1				X	16X50
4	TA00016636A	HOSE	1				X	
5	TA00050528A	LEVER, SHIFT ARM	1				X	
6	RN41050000A4	PLATE	1				X	M8X20
7	26013-080202	BOLT	1				X	
8	22351-080030	PIN, SPRING	1				X	
9	22117-180000	WASHER, PLAIN	1				X	
10	22242-000180	CIR CLIP, EXTERNAL	1				X	
11	26023-040102	SCREW	1				X	

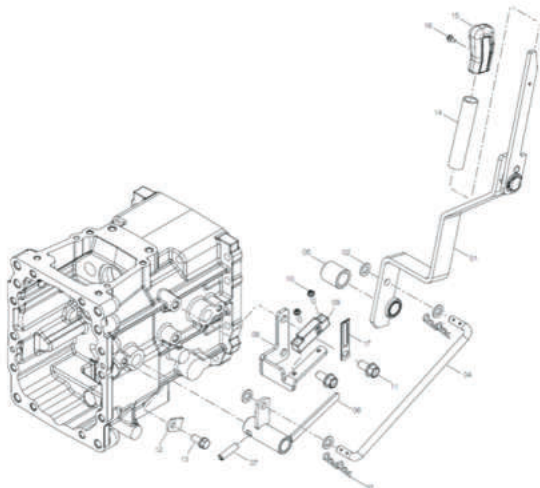
62. (FRONT WHEEL DRIVE LEVER)



2610 전륜구동레

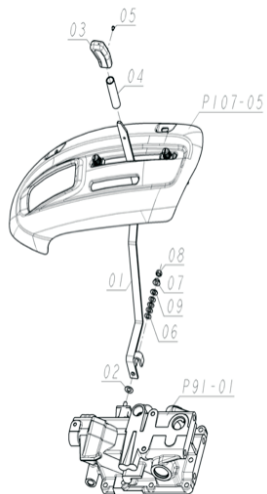
No.	Part No.	Part Name	(Q'ty)	2024h	3026h	
1	FE68010000A	4WD ARM, 4WD SHIFT	1	X	X	
2	24311-000125	O RING	1	X	X	
3	FE68030000A	4WD PLUG	1	X	X	
4	23414-140000	PACKING	1	X	X	
5	FE51030000B	SPRING	1	X	X	
6	24190-100001	BALL	1	X	X	
7	FE68070000D	4WD LEVEL, 4WD CHANGE	1	X		
7	TA00050567B	4WD LEVEL, 4WD CHANGE	1			
7	TA00060187B	4WD LEVEL, 4WD CHANGE	1			
8	TA00016637A	16X80 HOSE	1	X	X	16X80
9	TA00017708B	GRIP, LEVER	1	X	X	
10	22351-080030	PIN, SPRING	1	X	X	
11	RN41050000A4	PLATE	1	X	X	M8X20
12	26013-080202	BOLT	1	X	X	
13	26023-040102	SCREW	1	X	X	

63. (PTO GEAR SHIFT LEVER)



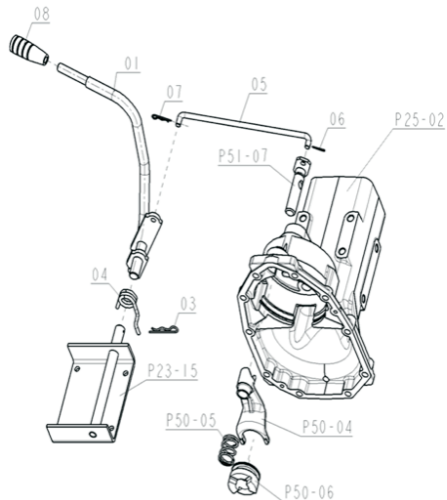
No.	Part No.	Part Name	(Q'ty)			2024h	3026h	
1	TA00051666A	LEVER, PTO SHIFT	1			X		
1	TA00060301B	LEVER, PTO SHIFT	1				X	
2	22117-100000	WASHER, PLAIN	4			X		X
3	22360-100000	PIN, SNAP	4			X		X
4	FE69060000C	ROD, PTO	1			X		16X80
4	TA00050552C	ROD, PTO	1					X
5	FE69030000A	COLLAR	1			X		X
6	FE69080000F	LEVER, SHIFT ARM	1			X		
6	TA00050548E	LEVER, SHIFT ARM	1					X
7	22351-080030	PIN, SPRING	1			X		X
8	TA00059123A	BRACKET	1			X		X
9	HA00001579A	SWITCH	1			X		X
10	26023-040202	SCREW	2			X		X
11	26106-100202	BOLT	2			X		X
12	RN41050000A4	STAY, NEUTRAL SWITH	1			X		X
13	26013-080202	BOLT	1			X		X
14	TA00053460A	HOSE	1			X		X
15	TA00017709B	GRIP, LEVER	1			X		X
16	26023-040102	SCREW	1			X		X
17	TCD5320000A	CLAMP, CORD	1			X		X

65. (POSITION CONTROL LEVER)



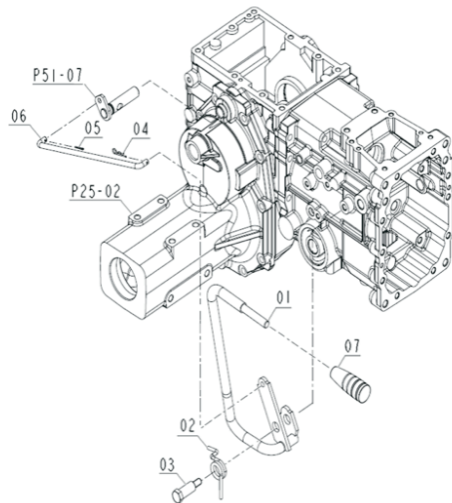
No.	Part No.	Part Name	(Q'ty)			2024h	3026h	
1	TA00019121B	LEVER, HYD. CONTROL	1			X		
1	TA00060894A	LEVER, HYD. CONTROL	1				X	
2	TA00019119A	10x18x1.0 WASHER	1			X	X	
3	TA00017710B	GRIP, LEVER	1			X	X	16X80
4	TA00016637A	16X80 HOSE	1			X	X	
5	26023-040102	SCREW	1			X	X	
6	RRD3060000A4	SPRING	4			X	X	
7	26366-080002	NUT	1			X	X	
8	26712-080002	NUT	1			X	X	
9	22127-080000	WASHER	1			X	X	

67. (DIFFERENTIAL LOCK LEVER) - HST



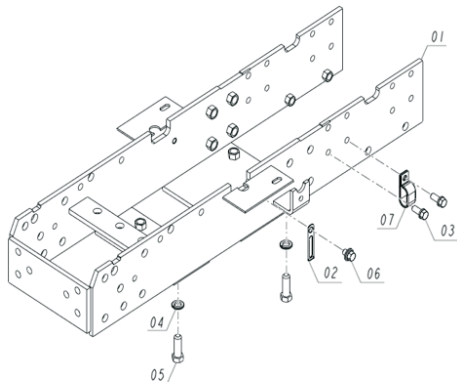
No.	Part No.	Part Name	(Q'ty)			2024h			
1	TA00063927A	Lever, DIFF. LOCK	1			X			
3	22360-160000	PIN, SNAP	1			X			
4	FE72050000B	SPRING	1			X			
5	FE72060000A	ROD, DIFF. LOCK	1			X			
6	22417-200160	COTTER PIN	1			X			
7	22360-080000	PIN, SNAP	1			X			
8	VD05460000A	GRIP	1			X			

67-1. (DIFFERENTIAL LOCK LEVER) - HST



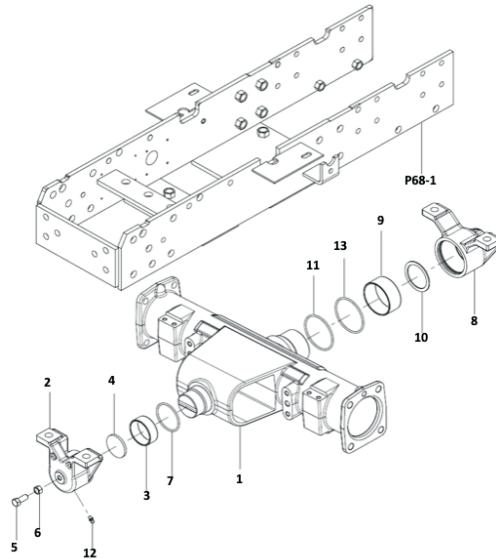
No.	Part No.	Part Name	(Q'ty)						3026h
1	TA00050519A	Lever, DIFF. LOCK	1						
1	TA00063924A	Lever, DIFF. LOCK	1						X
2	TA00050564B	SPRING	1						X
3	TA00050561A	BOLT	1						X
4	22360-080000	PIN, SNAP	1						X
5	22417-200160	COTTER PIN	1						X
6	TA00050551A	ROD, DIFF. LOCK	1						X
7	VD0546000A	GRIP	1						X

68. (FRONT AXLE FRAME)



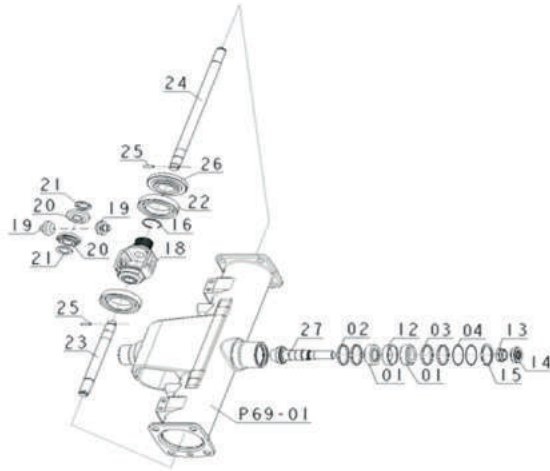
No.	Part No.	Part Name	(Q'ty)			2024h	3026h	
1	TA00064343A	COMP. FRAME, FRONT	1			X		
1	TA00064344A	COMP. FRAME, FRONT	1				X	
2	TCD532000A4	CLAMP, CORD	1			X	X	M10X25
3	26013-100252	BOLT	16			X	X	
4	22217-140000	WASHER	4			X	X	M14X40
5	26116-140402	BOLT	4			X	X	M10X16
6	26014-100162	BOLT	1			X	X	
7	CA1808000A4	CLIP	1			X	X	

69. (FRONT AXLE CASE)



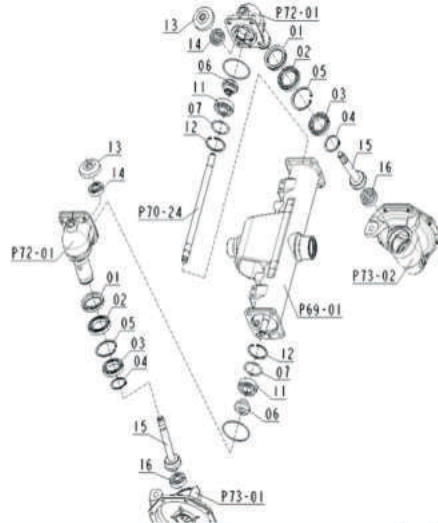
No.	Part No.	Part Name	(Q'ty)	2024h	3026h	
1	FE76010000B	CASE, FRONT AXLE	1	X	X	
2	FE76040000B	ASSY HOLDER	1	X	X	
3	24550-050200	BUSH	1	X	X	
4	FE76060000A	COLLAR, THRUST	1	X	X	
5	26116-100252	BOLT	1	X	X	M10X25
6	26716-100002	NUT	1	X	X	M10
7	24321-000550	O RING	1	X	X	
8	FE76100000B	ASSY HOLDER	1	X	X	
9	24550-065300	BUSH	1	X	X	
10	FE76120000A	COLLAR, THRUST	1	X	X	
11	24321-000700	O RING	1	X	X	
12	24764-060000	NIPPLE	1	X	X	
13	24321-000650	O RING	1	X	X	

70. (FRONT DIFFERENTIAL)



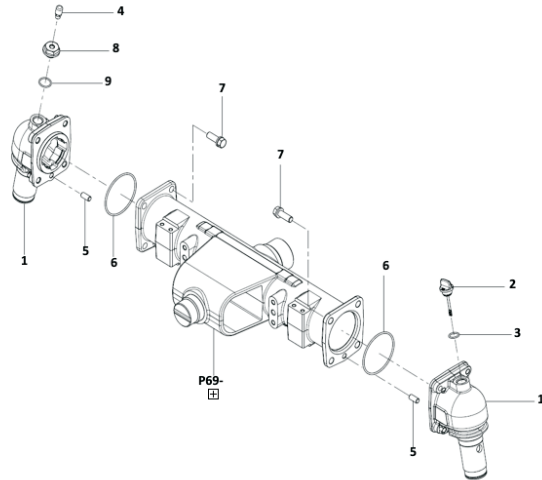
No.	Part No.	Part Name	(Q'ty)			2024h	3026h	
1	24142-302050	BEARING, TAPER-ROLLER	2			X	X	
2	TA00060445A	(2.0T) COLLAR	2			X	X	
3	TA00060444A	(1.6T) COLLAR	2			X	X	
4-1	TA00060446A	(0.1T) SHIM	2			X	X	
4-2	TA00060447A	(0.2T) SHIM	2			X	X	
4-3	TA00060448A	(0.3T) SHIM	2			X	X	
12	FE77120000A	COLLAR	1			X	X	
13	FE77130000A	NUT	1			X	X	
14	FE77140000A	20X40X8 SEAL, OIL	1			X	X	
15	22552-000520	CIR CLIP, INTERNAL	1			X	X	
16	24164-000352	CIR CLIP, EXTERNAL	1			X	X	
18	FE77190000A	CASE, DIFF. FRONT	1			X	X	
19	FE77190000A	PINION, BEVEL GEAR	2			X	X	
20	FE77200000A	GEAR, BEVEL 14T	2			X	X	
21	FE77210000A	COLLAR	2			X	X	
22	24101-060104	BEARING, BALL	2			X	X	6010
23	FE77230000A	SHAFT, YOKE LH	1			X	X	
24	FE77240000A	SHAFT, YOKE RH	1			X	X	
25	22351-050020	PIN, SPRING	2			X	X	
26	FE77260200A	GEAR, BEVEL	1			X	X	
27	FE77260100A	GEAR, BEVEL	1			X	X	

71. (DIFFERENTIAL GEAR SHAFT)



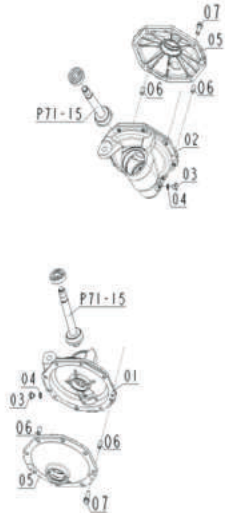
No.	Part No.	Part Name	(Q'ty)	2024h	3026h	
1	FE78010000B	55X72X13.5 SEAL, OIL	2	X	X	
2	24101-069104	BEARING, BALL	2	X	X	6910
3	24101-069094	BEARING, BALL	2	X	X	6909
4	22242-000450	CIR CLIP, EXTERNAL	2	X	X	
5	22252-000680	CIR CLIP, INTERNAL	2	X	X	
6	FE78060000A	GEAR, BEVEL F	2	X	X	
7-1	FE78070000A	0.8 SHIM	2	X	X	
7-2	FE78080000A	1.0 SHIM	2	X	X	
7-3	FE78090000A	1.2 SHIM	2	X	X	
7-4	FE78100000A	1.4 SHIM	2	X	X	
11	24101-062064	BEARING, BALL	2	X	X	
12	22252-000620	CIR CLIP, INTERNAL	2	X	X	
13	FE78130000A	(16) GEAR, BEVEL F	2	X	X	
14	24101-062044	BEARING, BALL	2	X	X	
15	FE78150000A	(9) SHAFT, BEVEL GEAR	2	X	X	
16	24101-063044	BEARING, BALL	2	X	X	

72. (BEVEL GEAR CASE)



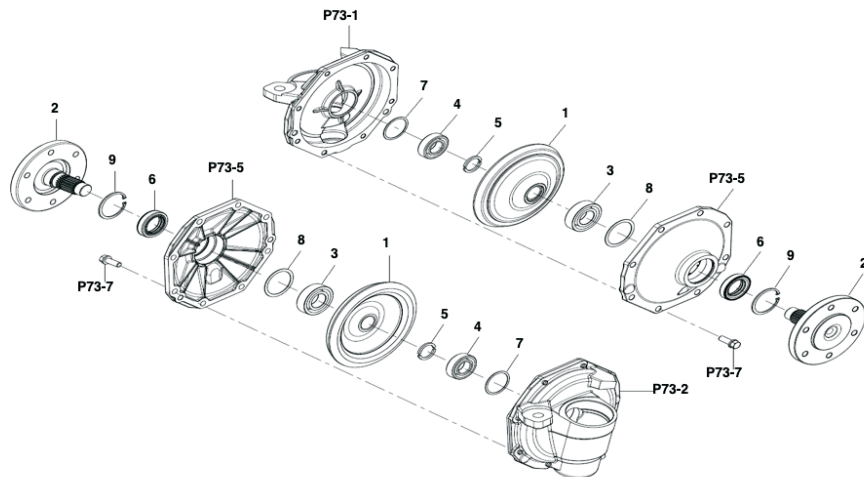
No.	Part No.	Part Name	(Q'ty)			2024h	3026h	
1	FE79010000B	CASE, BEVEL GEAR	2			X	X	
2	FE79020000B	GAGE, OIL	1			X	X	
3	24311-000180	O RING	1			X	X	
4	TA00049842A	(STEEL) AIR BREATHER(STEEL)	1			X	X	
5	22312-100200	PIN, STRAIGHT	2			X	X	
6	24321-000850	O RING	2			X	X	
7	26013-120352	BOLT	8			X	X	M12X35
8	TA00049843A	PLUG	1			X	X	
9	24311-000220	O RING	1			X	X	

73.(FORNT AXLE CASE)



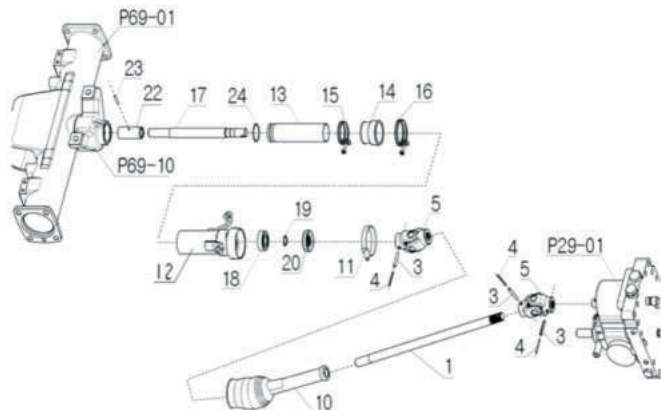
No.	Part No.	Part Name	(Q'ty)			2024h	3026h	
1	FE80010000C	CASE, GEAR LH	1			X	X	
2	FE80020000C	CASE, GEAR RH	1			X	X	
3	23887-100002	PLUG	2			X	X	
4	23414-100000	PACKING	2			X	X	
5	FE80050000B	COVER, GEAR CASE	2			X	X	
6	22312-100200	PIN, STRAIGHT	4			X	X	
7	26013-100282	BOLT	16			X	X	M10X28

74. (FRONT AXLE)



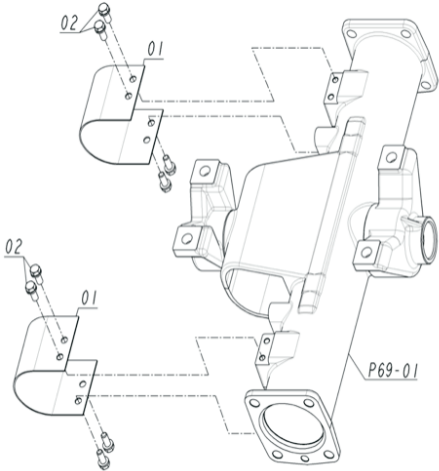
No.	Part No.	Part Name	(Q'ty)	2024h	3026h
1	FE81010000A	GEAR, BEVEL	2	X	X
2	FE81020000A	ASSY SHAFT, F.AXLE	2	X	
2	TA00039488B	ASSY SHAFT, F.AXLE	2		X 6206
3	24101-062064	BEARING, BALL	2	X	X 6205
4	24101-06205	BEARING, BALL	2	X	X
5	FE81060000A	COLLAR, SET	4	X	X
6	TA00044968A	(35x55x12) SEAL, OIL	2	X	X
7-1	FE81080000A	0.8 SHIM	2	X	X
7-2	FE81090000A	1.0 SHIM, SHAFT	2	X	X
7-3	FE81100000A	1.2 SHIM	2	X	X
8-1	FE78070000A	0.8 SHIM	2	X	X
8-2	FE78080000A	1.0 SHIM	2	X	X
8-3	FE78090000A	1.2 SHIM	2	X	X
8-4	FE78100000A	1.4 SHIM	2	X	X
9	22252-000550	SNAP RING	2	X	X

76. (FRONT DRIVE SHAFT) - HST



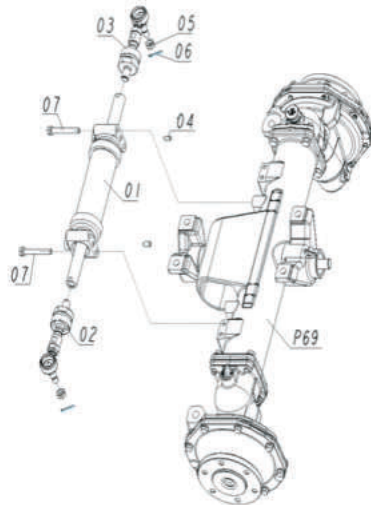
No.	Part No.	Part Name	(Q'ty)			2024h	3026h	
1	TA0002882A	SHAFT, DRIVE REAR	1			X		
1	TA00050555A	SHAFT, DRIVE REAR	1					
1	TA00060430A	SHAFT, DRIVE REAR	1				X	
3	22351-060040	PIN, SPRING	3			X	X	
4	22351-035040	PIN, SPRING	3			X	X	
5	FE82050000A	ASSY JOINT, UNIVERSAL	2			X	X	
10	FE82100000A	COVER	1			X	X	
11	23000-070000	CLAMP	1			X	X	
12	TA00063931A	COVER, FRONT SHAFT A	1			X	X	
13	TA00063928A	COVER, FRONT SHAFT B	1			X		
13	TA00063929A	COVER, FRONT SHAFT B	1				X	
14	FE82140000A	BANDCOVER, FRONT SHAFT C	1			X	X	
15	23010-050000	BAND	1			X	X	
16	23010-058000	BAND	1			X	X	6204
17	FE82170000A	SHAFT, FRONT DRIVE	1			X		
17	TA00039500A	SHAFT, FRONT DRIVE	1				X	
18	TA00016551A	BEARING, BALL	1			X	X	
19	22242-000200	CIR CLIP, EXTERNAL	1			X	X	
20	FE82200000A	SEAL, OIL	1			X	X	
22	FE82220000A	COUPLING	1			X	X	
23	22351-040030	PIN, SPRING	1			X	X	
24	24341-000390	O RING	1			X	X	

77. (PST COVER)



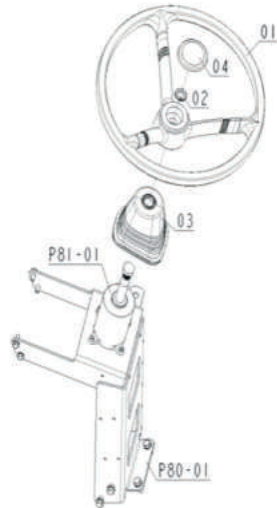
No.	Part No.	Part Name	(Q'ty)			2024h	3026h	
1	TA00063932A	COVER, TIE ROD	2			X	X	
2	26013-080202	BOLT	8			X	X	M8X20

78. (TIE ROD)



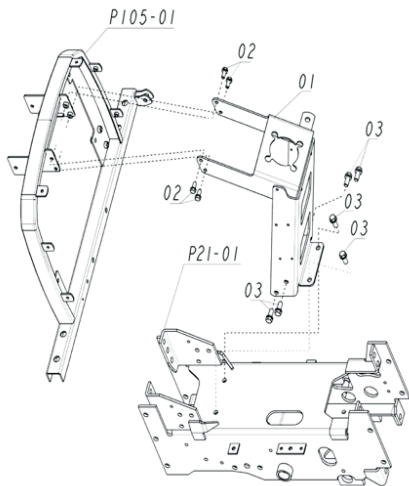
No.	Part No.	Part Name	(Q'ty)			2024h	3026h	
1	FE86010000B	PST CYLINDER	1			X	X	
2	FE86020000B	TIE ROD L. ASS'Y	1			X	X	
3	FE86030000B	TIE ROD R. ASS'Y	1			X	X	
4	22312-100140	PIN STRAIGHT	2			X	X	
5	26877-120002	NUT	2			X	X	
6	22417-300250	COTTER PIN	2			X	X	
7	26013-100702	BOLT	4			X	X	M10X70

79. (STEERING HANDLE)



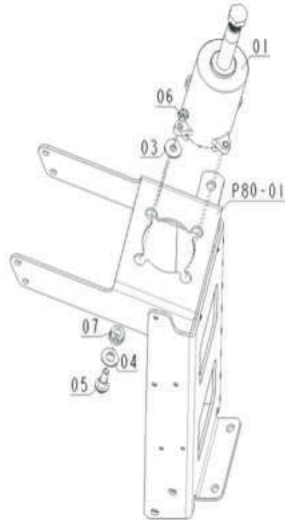
No.	Part No.	Part Name	(Q'ty)			2024h	3026h
1	TZ29030000A1	WHEEL, STEERING	1			X	X
2	Z2217-160000	WASHER, SPRING	1			X	X
3	FE87030000A	BOOT, STEERING	1			X	X
4	TA00063849A	CAP, STEERING	1			X	X

80. (STEERING POST)



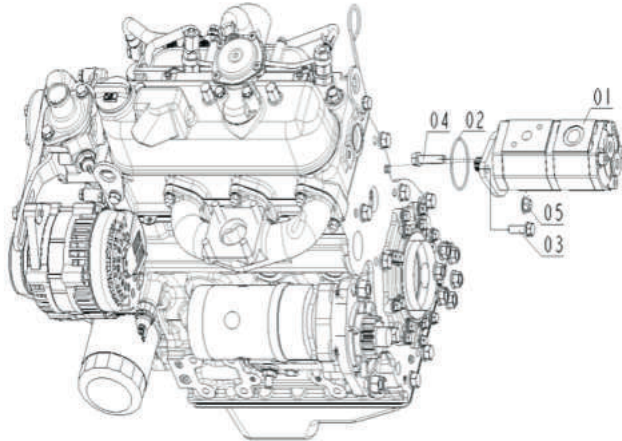
No.	Part No.	Part Name	(Q'ty)	2024h	3026h	
1	TA00063935A	SPRING	1	X	X	
2	26013-080202	BOLT	4	X	X	M8X20
3	26106-100252	BOLT	6	X	X	M10X25

81. PST UNIT (HYDRAULIC STEERING VALVE)



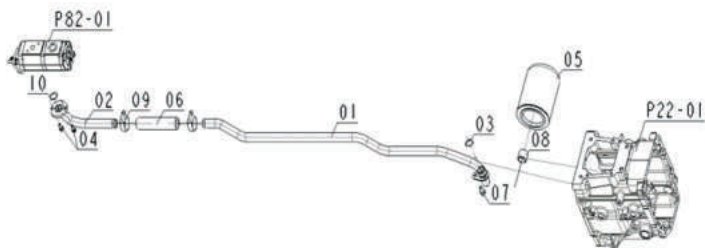
No.	Part No.	Part Name	(Q'ty)			2024h	3026h	
1	FE89010000B	Power Steering Unit	1			X	X	
3	TA00016425A	8.5X25X1.6	4			X	X	
4	TA00016426A	11.5X25X1.6	4			X	X	
5	TA00016566A	PST	4			X	X	
6	26716-080002		4			X	X	M8
7	FEB6050000A		4			X	X	

82. (HYDRAULIC PUMP)



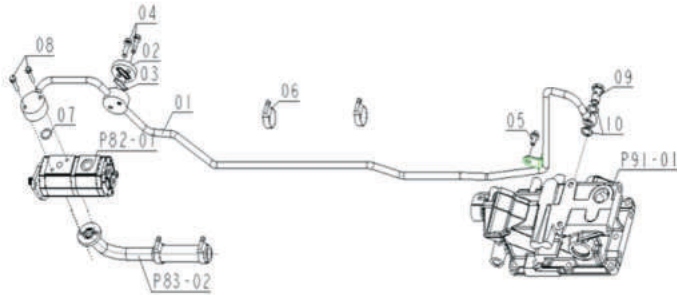
No.	Part No.	Part Name	(Q'ty)			2024h	3026h	
1	FE90010000A	ASSY PUMP, HYDRAULIC	1			X	X	
2	24341-000500	O RING	1			X	X	
3	26013-080252	BOLT	1			X	X	M8X25
4	26013-080352	BOLT	1			X	X	M8X35
5	26366-080002	NUT	1			X	X	M8

83. (HYDRAULIC OIL LINE (SUCTION))



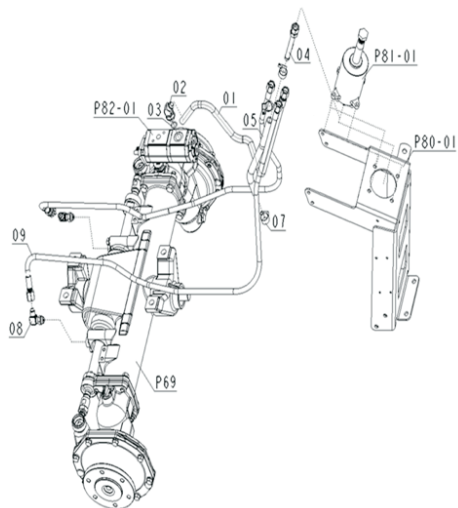
No.	Part No.	Part Name	(Q'ty)	2024h	3026h	
1	FE91010000E	PIPE, SUCTION	1	X		
1	TA00051854A	PIPE, SUCTION	1			
1	TA00039577B	PIPE, SUCTION	1		X	
2	FE91020000C	PIPE, SUCTION	1	X	X	
3	24311-000200	O RING	1	X	X	
4	26012-060169	BOLT	2	X	X	
5	FE91050000B	FILTER, OIL	1	X	X	
6	FE91060000A	HOSE, INLET	1	X	X	M6X20
7	26013-080202	BOLT	1	X	X	
8	TA00047134A	JOINT, SCREW	1	X	X	
9	23000-035000	CLAMP	2	X	X	
10	24311-000200	O RING	1	X	X	

84-2. (HYDRAULIC OIL LINE (DELIVERY))



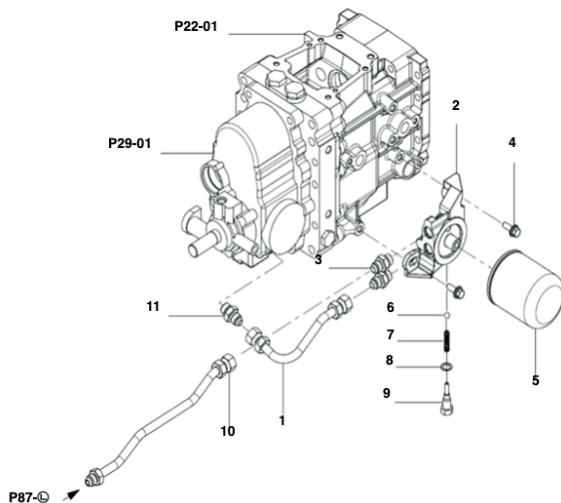
No.	Part No.	Part Name	(Q'ty)	2024h	3026h	
1	TA00019027B	PIPE, DELIVERY P	1	X		POSITION
1	TA00051858A	ASS'Y PIPE, DELIVERY	1			
1	TA00039583A	ASS'Y PIPE, DELIVERY	1		X	
2	FE92020000B	CAP	1	X	X	
3	FE92030000A	O RING	1	X	X	M8X30
4	26014-080302	BOLT	2	X	X	M8X20
5	26014-080202	BOLT	1	X	X	
6	23000-035000	CLAMP	2	X	X	
7	24311-000200	O RING	1	X	X	M6X32
8	26013-080322	BOLT	2	X	X	
9	TCC9020000A4	BOLT, JOINT	1	X	X	
10	23414-160000	PACKING	2	X	X	

85. (HYDRAULIC OIL LINE (STEERING))



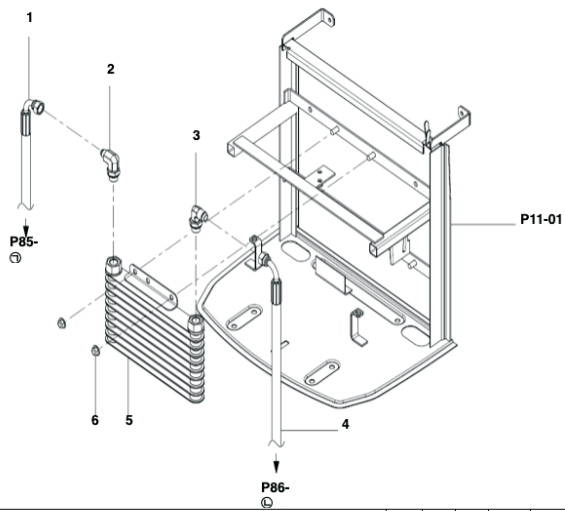
No.	Part No.	Part Name	(Q'ty)	2024h	3026h
1	FE93010000B	PIPE, DELIVERY	1	X	X
2	FT33060000A4	JOINT, PIPE	1	X	X
3	24311-000140	O RING	1	X	X
4	FE93040000B	PIPE	1		
5	FE93050000B	HOSE	1		
7	23000-022000	CLAMP, HOSE	2		
8	RRA4220000A4	JOINT, PIPE	2	X	X
9	FE93090000A	PST HOSE	2	X	
9	TA00039946A	PST HOSE	2		X
10	TA00003081A	CLIP	2	X	X

86. (HYDRAULIC OIL LINE (HST))



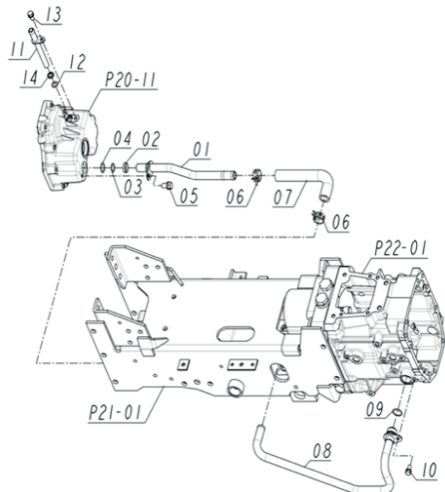
No.	Part No.	Part Name	(Q'ty)	2024h	3026h
1	TA00050304A	(3/8) PIPE	1	X	X
2	TA00050340A	COVER, FILTER	1	X	X
3	TTA3880000A4	CONNECTOR	2	X	X
4	26014-080252	BOLT	2	X	X
5	TA00016986B	CARTRIDGE, OIL FILTER	1	X	X
6	24190-100001	BALL	1	X	X
7	TA00015442A	SPRING	1	X	X
8	23414-120000	PACKING	1	X	X
9	TA00015441A	BOLT	1	X	X
10	TA00053554C	PIPE	1	X	X
10	TA00053443C	PIPE	1		
11	TA00053807A	1/4-3/8 ADEAPTER	1	X	X

87. (HYDRAULIC OIL LINE)



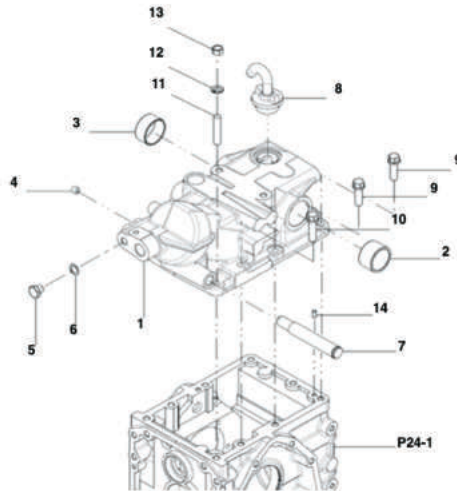
No.	Part No.	Part Name	(Q'ty)	2024h	3026h
1	TA00034802A	HOSE	1	X	X
2	NT34620000A4	PF1/4-3/8 JOINT, PIPE	1	X	X
3	CEE4050000A4	8-Mar ELBOW(3/8)	1	X	X
4	TA00017476A	HOSE	1	X	
4	TA00053554A	HOSE	1		X
5	FE95140000A	OIL COOLER	1	X	X
6	26366-080002	BOLT	2	X	X

89. (HYDRAULIC OIL LINE (C/M))-HST



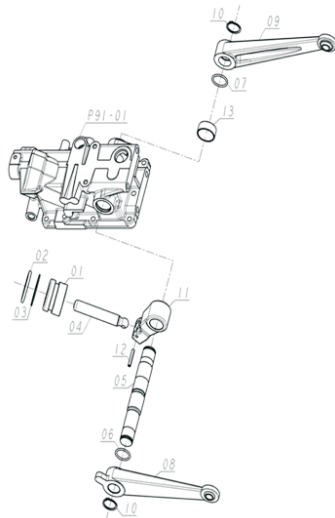
No.	Part No.	Part Name	(Q'ty)			2024h	3026h	
1	TA00003097A	PIPE	1			X		
1	TA00050525A	PIPE	1					
1	TA00060282A	PIPE	1				X	
2	FE96020000A	RING	1			X	X	
3	24311-000160	O RING	1			X	X	
4	24311-000180	O RING	1			X	X	M8X16
5	26013-080162	BOLT	1			X	X	
6	TA00016988A	CLAMP	2			X	X	
7	TA00003094A	HOSE, HYDRAULIC	1			X	X	
8	TA00003124A	PIPE	1			X	X	
9	24311-000200	O RING	1			X	X	M8X16
10	26013-080162	BOLT	1			X	X	
11	TA00051811A	PIPE,AIR BREATHER	1			X	X	
12	24311-000120	O RING	1			X	X	
13	26013-080162	BOLT	1			X	X	
14	TA00020843B	12X16X4.5 COLLAR	1			X	X	

91. (HYDRAULIC CYLINDER)



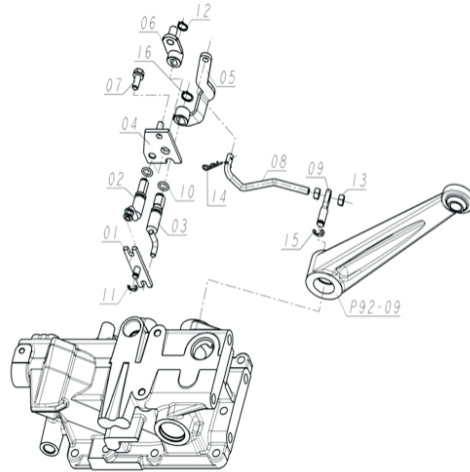
No.	Part No.	Part Name	(Q'ty)			2024h	3026h
1	TA00022498D	ASSY CASE, CYLINDER	1			X	X
2	TA00022682B	(34X41X25) BUSH	1			X	X
3	TA00022683A	(38X42X20) BUSH	1			X	X
4	23871-010000	PLUG	1			X	X
5	23887-120002	PLUG	1			X	X
6	23414-120000	PACKING	1			X	X
7	FE98070000A	SHAFT	1			X	X
8	FT80370000A4	CAP, OIL INTAKE	1			X	X
9	26013-100352	BOLT	5			X	X
10	26013-100402	BOLT	2			X	X
11	26216-100352	STUD	2			X	X
12	22217-100000	WASHER, SPRING	2			X	X
13	26712-100002	NUT	2			X	X
14	22312-060100	PIN, STRAIGHT	2			X	X

92. (HYDRAULIC PISTON / LIFT ARM)



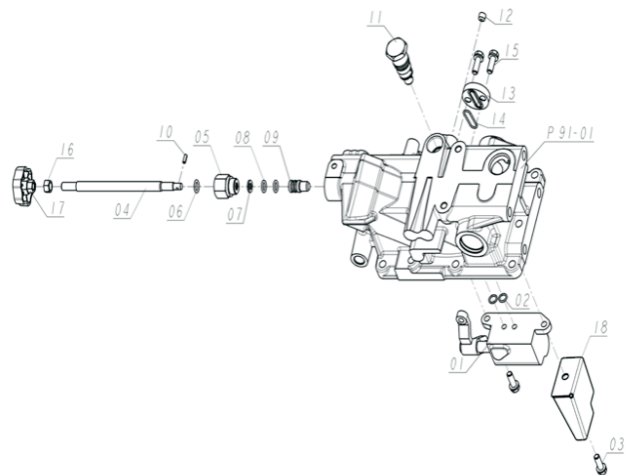
No.	Part No.	Part Name	(Q'ty)			2024h	3026h
1	TA00022494B	PISTON, HYD.	1			X	X
2	TA00022680A	O RING	1			X	X
3	TA00022681A	RING, BACK UP	1			X	X
4	TA00022679A	ROD, HYD. PISTON	1			X	X
5	TA00022493C	SHAFT, HYD. ARM	1			X	X
6	TA00035991A	O RING	1			X	X
7	24311-000380	O RING	1			X	X
8	TA00022496B	ARM, LIFT LH	1			X	X
9	TA00022497B	ARM, LIFT RH	1			X	X
10	22242-000320	CIR CLIP, EXTERNAL	2			X	X
11	TA00022966A	ARM, HYDRAULIC	1			X	X
12	22351-060040	PIN, SPRING	1			X	X
13	TA00050297A	COLLAR	1			X	X

94. (FEED BACK LEVER)(POSITION)



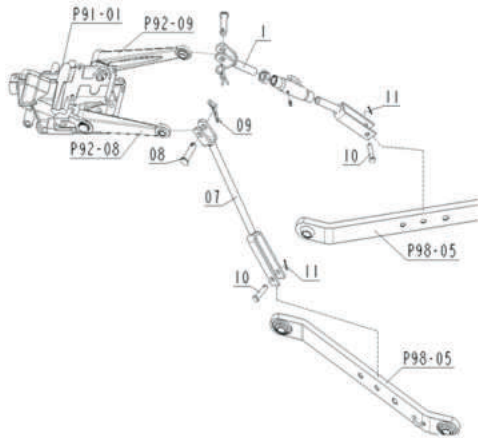
No.	Part No.	Part Name	(Q'ty)	2024h	3026h
1	TA00018854A	LINK	1	X	X
2	TA00018858A	CONTROL LEVER	1	X	X
3	TA00018862A	SHAFT, FEED BACK	1	X	X
4	TA00018903A	BRACKET ASS'Y	1	X	X
5	TA00018870C	ARM, FEED BACK	1	X	X
6	TA00018867A	ASS'Y, CONTROL ARM	1	X	X
7	26013-080202	BOLT	1	X	X
8	TA00018871C	ROD, FEED BACK	1	X	X
9	FEA0120000A	PIN, FEED BACK	1	X	X
10	24311-000110	O RING	2	X	X
11	22272-000070	SNAP RING	1	X	X
12	22242-000120	CIR CLIP,EXTERNAL	1	X	X
13	26712-080002	NUT	2	X	X
14	22360-080000	PIN, SNAP	1	X	X
15	22272-000080	SNAP RING	1	X	X
16	22242-000140	CIR CLIP,EXTERNAL	1	X	X

96. (POSITION VALVE)



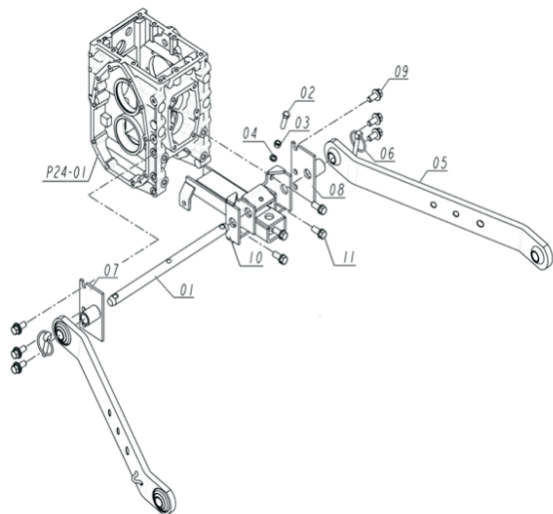
No.	Part No.	Part Name	(Q'ty)			2024h	3026h	
1	TA00019098C	ASSY VALVE, POSITION	1			X	X	
2	24311-000100	O RING	2			X	X	
3	26013-080252	BOLT	2			X	X	M8X25
4	TA00019112A	SHAFT, HYD. ADJUST	1			X		
5	TA00039909A	SHAFT, HYD. ADJUST	1				X	
6	TTA9030000A4	HOLDER	1			X	X	
7	24311-000120	O RING	1			X	X	
8	22117-080000	WASHER	1			X	X	
9	24311-000110	O RING	2			X	X	
10	TA00019111A	VALVE, STOP	1			X	X	
11	22351-040012	PIN, SPRING	1			X	X	
12	TA00019113B	VALVE, SAFETY	1			X	X	
13	23871-010000	PLUG	1			X	X	
14	FE92020000B	CAP	1			X	X	
15	FE92030000A	O RING	1			X	X	M6X25
16	26013-080252	BOLT	2			X	X	M10
17	26716-100002	NUT	1			X	X	
18	TTA9040000A4	GRIP	1			X	X	
18	TA00050400A	OIL GUIDE	1			X	X	

97. (3-POINT LINKAGE(LIFT LINK))



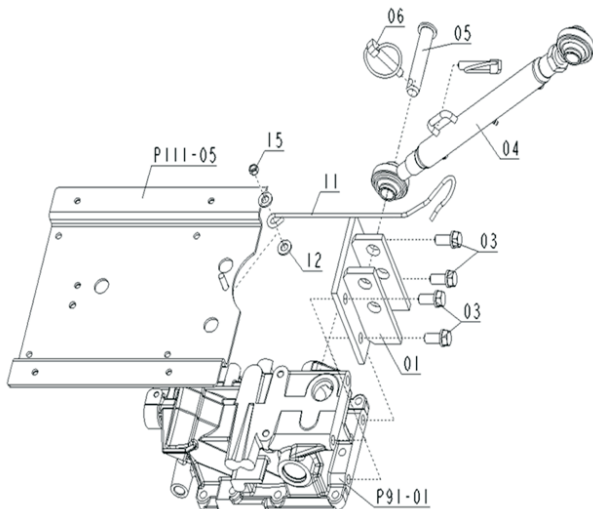
No.	Part No.	Part Name	(Q'ty)			2024h	3026h
1	FEA2010000B	ASSY ROD, LIFT RH	1			X	X
7	FEA2070000B	ROD, LIFT LH	1			X	X
8	TZE730000A4	PIN, JOINT	2			X	X
9	TTE7010000A4	PIN, SNAP	2			X	X
10	22486-120350	PIN, FASTENER	2			X	X
11	22417-250280	PIN STRAIGHT	2			X	X

98. (LOWER LINK)



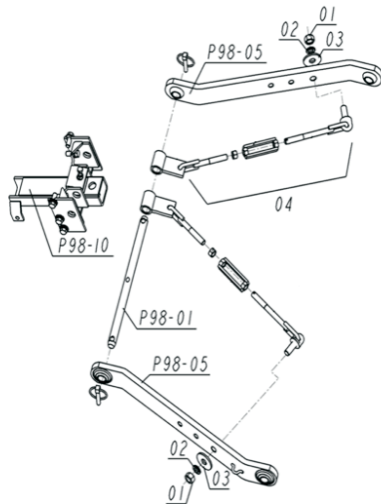
No.	Part No.	Part Name	(Q'ty)	2024h	3026h	
1	FEA3010000B	PIN, LOWER LINK	1	X	X	
2	26156-100404	BOLT	1	X	X	M10X40
3	26716-100002	NUT	1	X	X	M10
4	22217-100000	WASHER, SPRING	1	X	X	
5	TA00063936A	COMP. LINK, LOWER	2	X	X	
6	TB44030000B4	PIN, SET	2	X	X	
7	TA00063937A	BRACKET	1	X	X	
8	TA00063933A	BRACKET	1	X	X	
9	26014-120302	BOLT	6	X	X	M12X30
10	TA00063934A	COMP. HITCH	1	X	X	
11	26013-120302	BOLT	4	X	X	

99. (3-POINT LINKAGE(TOP LINK))



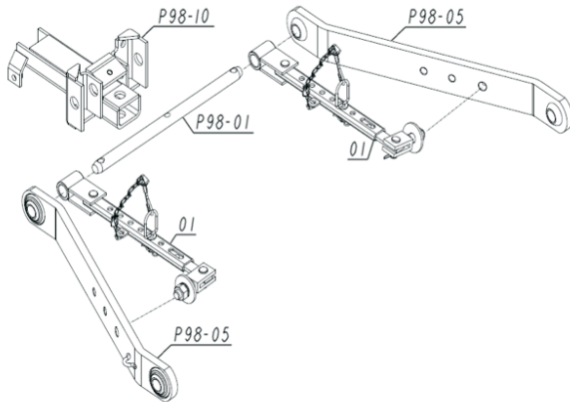
No.	Part No.	Part Name	(Q'ty)	2024h	3026h
1	FEA4010000A	BRACKET, TOP LINK LH	1	X	X
3	26013-120302	BOLT	4	X	X M12X30
4	FEA4040000D	ASSY LINK, TOP	1	X	X
5	TTE6130000B4	PIN, FASTENER	1	X	X
6	TJ30110000A4	PIN, SET	2	X	X
11	FEA4110000B	HOLDER, TOP LINK	1	X	X
12	22157-100000	WASHER	2	X	X
15	26347-080002	U-NUT	1	X	X

100. (CHECK CHAIN)



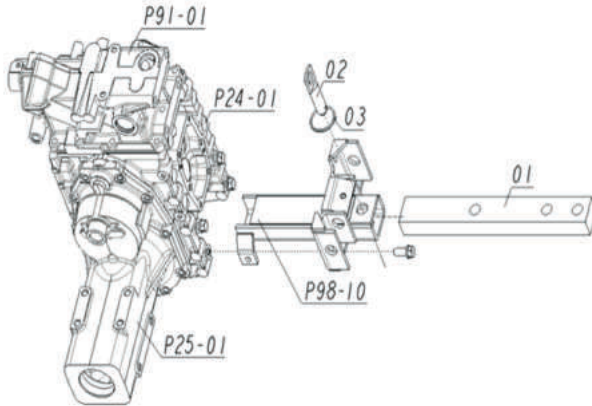
No.	Part No.	Part Name	(Q'ty)			2024h	3026h	
1	26716-160002	NUT	2			X		M16
2	22217-160000	WASHER, SPRING	2			X		
3	22157-160000	WASHER	2			X		
4	FEA5010000E	ASSY CHECK CHAIN	2			X		

100-1. (CHECK CHAIN)



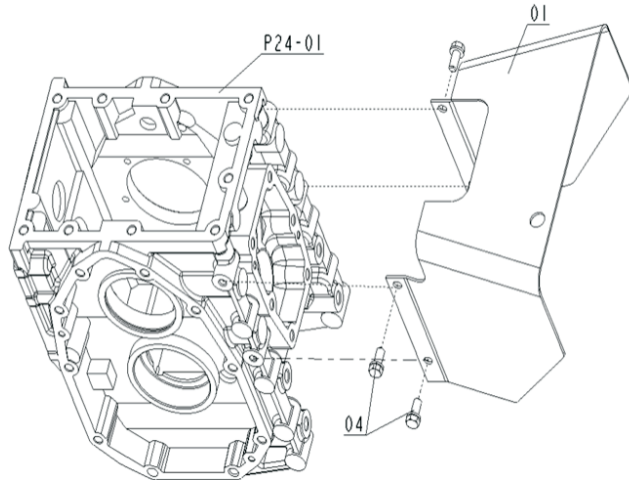
No.	Part No.	Part Name	(Q'ty)			2024h	3026h
1	TA00050174B	CHECK-BAR	2				
2	TA00061392A	CHECK-BAR(US)	2				X

101. (DRAW BAR)



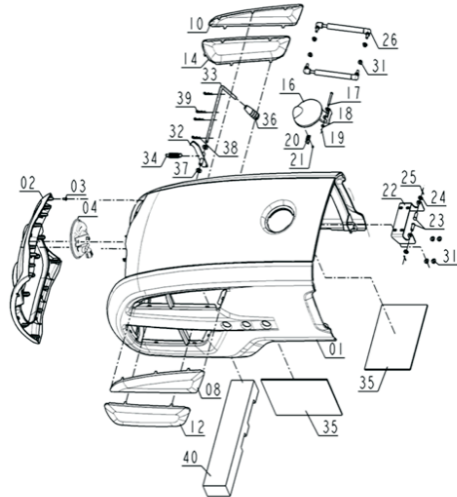
No.	Part No.	Part Name	(Q'ty)			2024h	3026h
1	TA00063938A	DRAWBAR	1			X	X
2	FEA8020000A	PIN, HITCH	1			X	X
3	TB46070000A4	PIN, RING	1			X	X

102. PTO (PTO PROTECTOR)



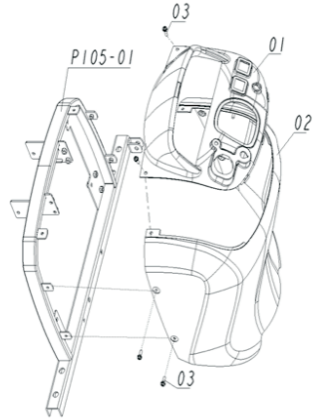
No.	Part No.	Part Name	(Q'ty)	2024h	3026h	
1	TA00063939A	PTO KIT COVER, PTO (A)	1	X	X	
4	26013-080202	BOLT	4	X	X	M8X20

103. (HOOD)



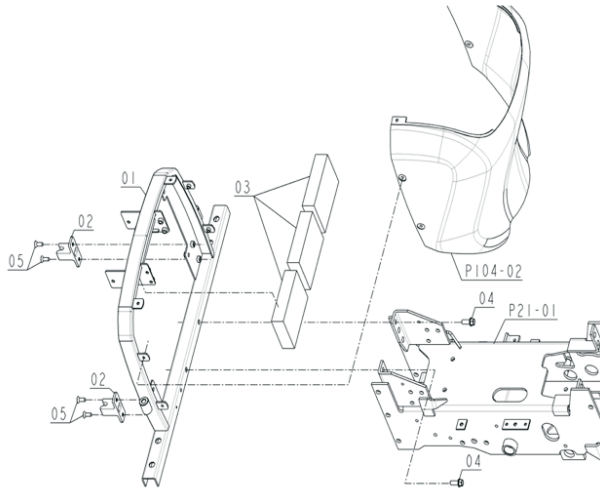
No.	Part No.	Part Name	(Q'ty)	2024h	3026h
1	TA00063456A	HOOD ASS'Y	1	X	X
2	TA00040935A	FRONT MASK	1	X	X
3	TTD7090000A4	SCREW	11	X	X
4	HA00000929A	HORN	1	X	X
8	FEB0050100B	COVER LH, UP	1	X	X
10	FEB0060100B	COVER RH, UP	1	X	X
12	FEB0070100B	COVER LH, UP	1	X	X
14	FEB0080100B	COVER RH, UP	1	X	X
16	TA00063797A	COVER, FUEL	1	X	X
17	22487-060500	PIN, FASTENER	1	X	X
18	22127-060000	WASHER	1	X	X
19	22417-160120	COTTER PIN	1	X	X
20	FEB0100000B	SPRING	1	X	X
21	22587-350102	SCREW	1	X	X
22	TA00064212A	HINGE	1	X	X
23	22487-100200	PIN, FASTENER	2	X	X
24	22117-100000	WASHER	2	X	X
25	22417-200200	COTTER PIN	2	X	X
26	FEB0120000A	SPRING	2	X	X
31	26366-080002	NUT	8	X	X
32	FEB0130000C	HOOK	1	X	X
33	FEB0140000B	LEVER	1	X	X
34	FEB0150000B	SPRING	1	X	X
35	FTD6290000B	SPONGE	2	X	X
36	VD05460000A4	GRIP	1	X	X
37	22127-100000	WASHER	2	X	X
38	22360-100000	PIN, SNAP	2	X	X
39	22360-120000	PIN, SNAP	2	X	X
40	FEB0160000A	SPONGE	1	X	X

104. (PANEL COVER)



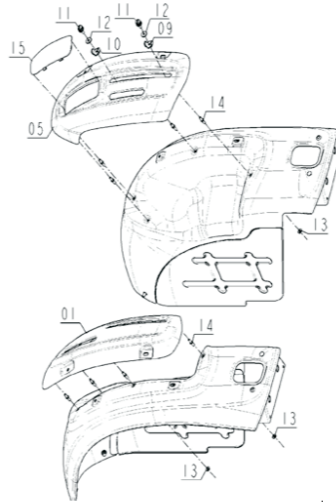
No.	Part No.	Part Name	(Q'ty)			2024h	3026h
1	FEB1010000A	COVER, PANEL	1			X	X
2	FEB1020000A	COVER, PANEL	1			X	X
3	TCE9010000A4	SCREW	6			X	X

105. (SHUTTER PLATE)



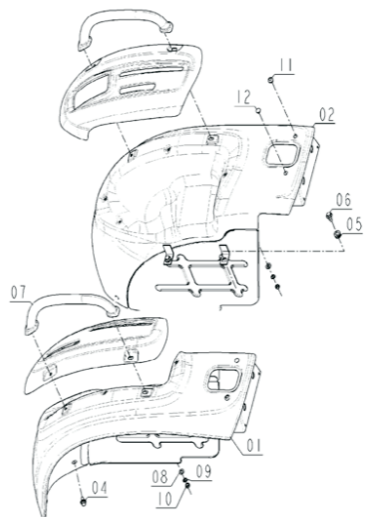
No.	Part No.	Part Name	(Q'ty)	2024h	3026h	
1	TA00063457A	PILLAR, CENTER	1	X	X	
2	FEB3020000A	HOOK	2	X	X	
3	FEB3030000A	SPONGE	3	X	X	
4	26013-100252	BOLT	2	X	X	M10X25
5	26577-080202	SCREW	4	X	X	

107. (LEVER GUIDE) - HST



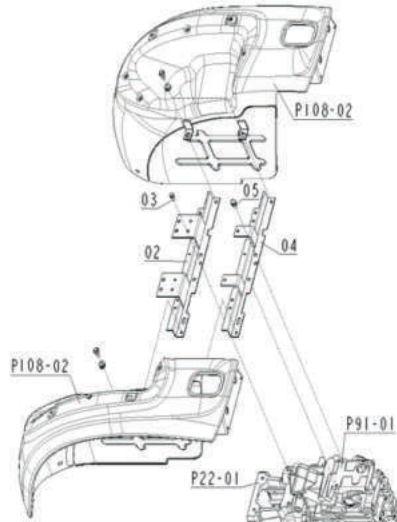
No.	Part No.	Part Name	(Q'ty)			2024h	3026h	
1	FEB4010000B	ASSY GUIDE, LEVER LH	1			X	X	
5	FEB4050000B	ASSY GUIDE, LEVER RH	1			X	X	
9	TA00016323A	HOLDER, HYD. LEVER UP	1			X	X	
10	FEB4100000A	HOLDER, HYD. LEVER DOWN	1			X	X	
11	CE68060000A4	BOLT, FLANGE	2			X	X	
12	22157-060000	WASHER	2			X	X	
13	26366-060002	NUT	8			X	X	M6
14	TA00001332A	INSERT BOLT	8			X	X	
15	TA00016989B	GUIDE	1			X	X	

108. (FENDER)



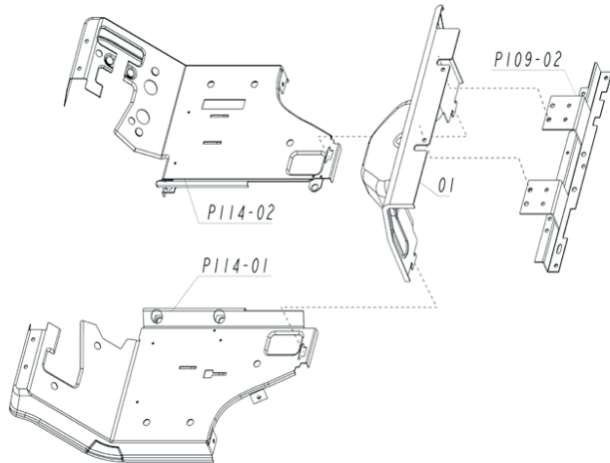
No.	Part No.	Part Name	(Q'ty)			2024h	3026h	
1	TA00063464A	KIT FENDER LH (A)	1			X		
1	TA00063465A	KIT FENDER LH (A)	1				X	
2	TA00063461A	KIT FENDER RH (A)	1			X		M8X20
2	TA00063462A	KIT FENDER RH (A)	1				X	
4	26014-080202	BOLT	4			X	X	
5	FEB6050000A	CUSHION	4			X	X	
6	FEB6060000A	BOLT	4			X	X	
7	FEB6070000A	HANDRAIL	2			X	X	
8	22127-080000	WASHER	4			X	X	M8
9	22217-080000	WASHER	4			X	X	
10	26716-080002	NUT	4			X	X	
11	TB40280000A4	RUBBER	4			X	X	
12	TTD6650000A4	RUBBER	2			X	X	

109. (FENDER STAY)



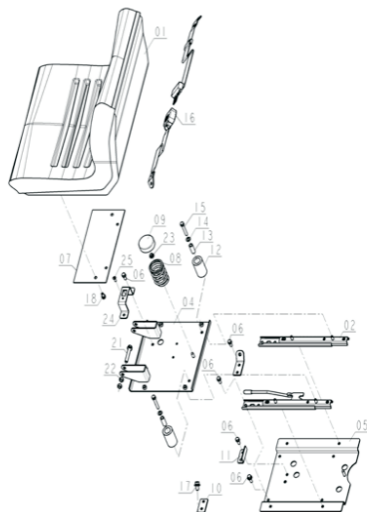
No.	Part No.	Part Name	(Q'ty)			2024h	3026h	
2	TA00063940A	STAY, FENDER	1			X		
2	TA00063941A	STAY, FENDER	1				X	M8X18
3	26013-080162	BOLT	1			X	X	
4	TA00063942A	STAY, FENDER	1			X	X	M10X20
5	26013-100202	BOLT	2			X	X	

110. (FLOOR SEAT)



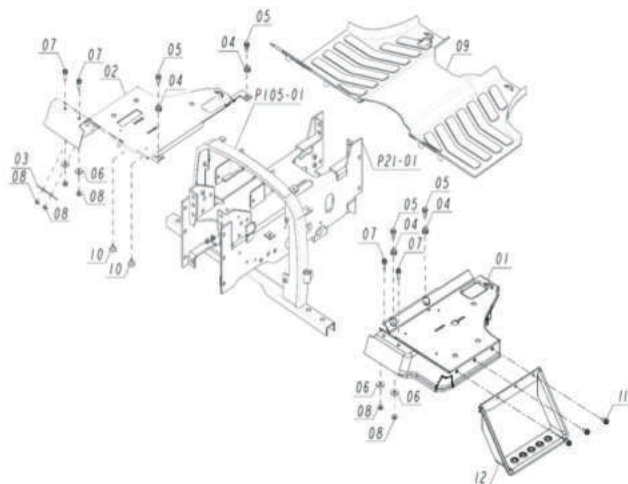
No.	Part No.	Part Name	(Q'ty)			2024h	3026h
1	FEB8010000B	COVER, SEAT UNDER	1			X	
1	TA00050516A	COVER, SEAT	1				X

111. (SEAT)



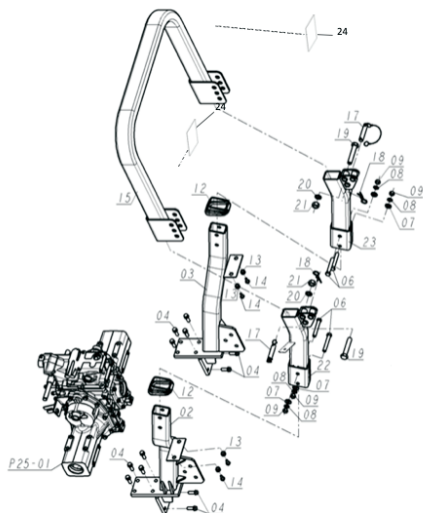
No.	Part No.	Part Name	(Q'ty)	2024h	3026h	
1	FEB9010000A	SEAT	1	X	X	
2	FEB9020000A	RAIL, SEAT	1	X	X	
4	TA00063945A	STAY ASS'Y	1	X	X	
5	TA00063947A	STAY ASS'Y	1	X	X	
6	26013-080202	BOLT	14	X	X	M8X20
7	TA00063944A	STAY ASS'Y	1	X	X	
8	FEB9080000A	SPRING	1	X	X	
9	FEB9090000A	CAP	1	X	X	
10	FEB9100000A	STAY ASS'Y	2	X	X	
11	FEB9110000A	BRACKET	1	X	X	
12	RR59030000A4	CUSHION	2	X	X	
13	RR59040000A4	9X14X35 COLLAR	2	X	X	
14	22127-080000	WASHER	2	X	X	
15	26013-080552	BOLT	2	X	X	M8X55
16	TTE0230000B3	SEAT BELT	1	X	X	
17	26014-100202	BOLT	2	X	X	M10X20
18	26013-080162	BOLT	4	X	X	M8X16
21	26106-100552	BOLT	2	X	X	M10X55
22	26716-100002	NUT	4	X	X	M10
23	26366-080002	NUT	1	X	X	M8
24	FEB9120000A	BRACKET	1	X	X	
25	26577-060162	SCREWS	1	X	X	

112. (STEP)



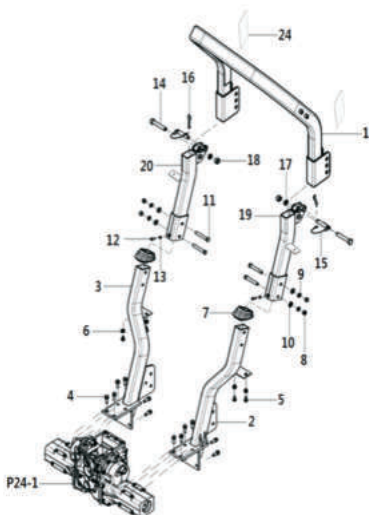
No.	Part No.	Part Name	(Q'ty)		2024h	3026h	
1	TA00063458A	STEP LH	1		X	X	
2	TA00063499A	STEP RH	1		X		
2	TA00063463A	STEP RH	1			X	
3	FEC0030000A	SUPPORT, STEP RH	1		X	X	
4	FEB6050000A	CUSHION	8		X	X	
5	FEB6060000A	BOLT	4		X	X	M8X25
6	22157-080000	WASHER	4		X	X	M8
7	26106-080252	BOLT	4		X	X	
8	26366-080002	NUT	6		X	X	
9	TA00055336A	MAT, STEP	1				
9	TA00053216A	MAT, STEP_HST	1		X	X	
9	TA00050531B	MAT, STEP (3)	1				
9	TA00050532B	MAT, STEP(HST_3)	1				
10	RRB9260000A4	STOPPER	3		X	X	
11	26106-080162	BOLT	3		X	X	
12	TA00063460A	STEP	1		X	X	

113. ROPS(ROPS)



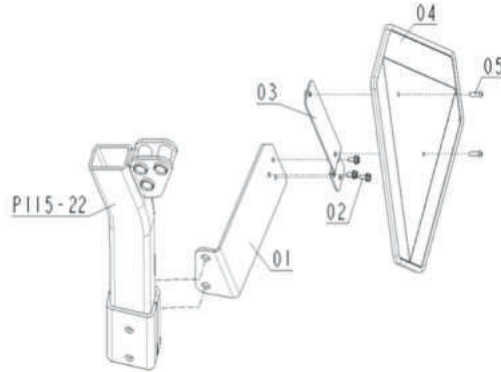
No.	Part No.	Part Name	(Q'ty)			2024h	3026h
2	TA00063946A	FRAME, LOWER LH	1			X	
3	TA00063943A	FRAME, LOWER RH	1			X	
4	26013-120352	BOLT	12			X	
6	26116-140902	BOLT	4			X	
7	22127-140000	WASHER, PLAIN	4			X	
8	22217-140000	WASHER, SPRING	4			X	
9	26716-140002	NUT	4			X	
12	FEC1220000A	COVER, ROPS	2			X	
13	FEB6050000A	CUSHION	4			X	
14	FEB6060000A	BOLT	4			X	
15	TA00063949A	FRAME	1			X	
17	NTF8400000A3	PIN	2			X	
18	TTE7010000A4	SNAP PIN	2			X	
19	26116-181002	BOLT	2			X	
20	22217-180000	WASHER, SPRING	2			X	
21	26347-180002	U NUT	2			X	
22	TA00063950A	FRAME, LOWER LH	1			X	
23	TA00063948A	FRAME, LOWER RH	1			X	
24	TA00060593A	REFLECTOR	2			X	

113. ROPS(ROPS)



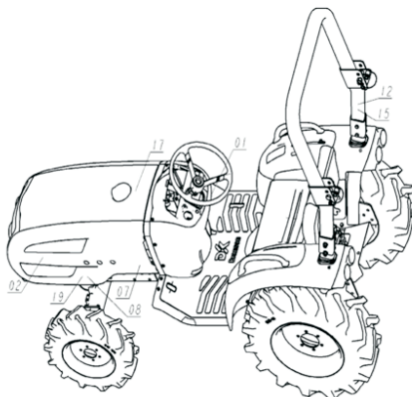
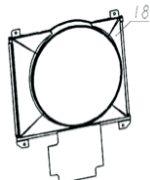
No.	Part No.	Part Name	(Q'ty)			2024h	3026h
1	TA00063954	(2610) FRAME	1				X
2	TA00063951A	LH FRAME, LOWER LH	1				X
3	TA00053952A	RH FRAME, LOWER RH	1				X
4	26013-120352	BOLT	12				X
5	FEB6060000A	BOLT	4				X
6	FEB6050000A	CUSHION	4				X
7	FEC1220000A	ROPS COVER, ROPS	2				X
8	26716-140002	NUT	4				X
9	22217-140000	WASHER, SPRING	4				X
10	22127-140000	WASHER, PLAIN	4				X
11	26116-140902	BOLT	4				X
12	26116-080252	BOLT	2				X
13	26757-080002	NUT	2				X
14	26116-181002	BOLT	2				X
15	NTF8400000A3	ROPS PIN	2				X
16	TTE7010000A4	SNAP PIN	2				X
17	22217-180000	WASHER, SPRING	2				X
18	26347-180002	U_NUT	2				X
19	TA00063953A	LH FRAME, LOWER LH	1				X
20	TA00063956A	RH FRAME, LOWER RH	1				X
21	TA00060593A	REFLECTOR	2				X

115. SMV(SMV EMBLEM)



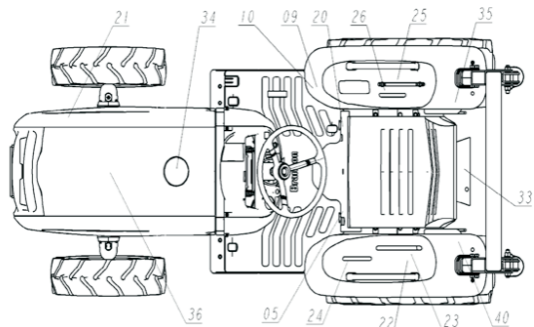
No.	Part No.	Part Name	(Q'ty)			2024h	3026h	
1	TA00063957A	SMV BRACKET, SMV	1			X		
1	TA00063955A	SMV BRACKET, SMV	1				X	
2	26106-060142	BOLT	3			X	X	M6X14
3	TA00063960A	BRACKET ASSY	1			X	X	
4	FEC3020000A	SMV	1			X	X	
5	26557-060202	SCREW	2			X	X	

120.(DECAL)



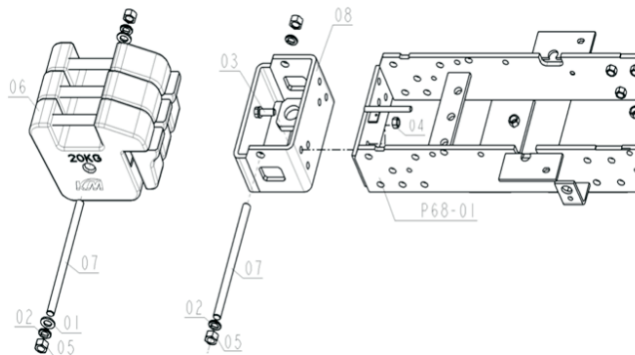
No.	Part No.	Part Name	(Q'ty)	2400	2510	2610R	2400h	2510h	2610h
1	TZE4330000B4	MARK, MAIN SWITCH	1	X	X	X	X	X	X
2	FED2020000A	(2400) MARK	2	X					
2	TA00063521A	(2400h) MARK	2				X		
2	TA00050761B	(2510) MARK	2		X				
2	TA00050771B	(2510h) MARK	2					X	
2	TA00060943B	(2610R) MARK	2			X			
2	TA00063524A	(2610h) MARK	2						X
5	TZE4150000A4	LABEL, PARKING	1	X	X	X	X	X	X
8	TZE5110000B4	LABEL, START CAUTION	1	X	X	X	X	X	X
9	TA00016518A	LABEL, SAFETY	1	X	X	X	X	X	X
10	TA00016517A	LABEL, SAFETY	1	X	X	X	X	X	X
11	NTE5220000C4	LABEL, SAFETY	1	X	X	X	X	X	X
12	TZE5170000B3	ROPS LABEL, ROPS WARNING	1	X	X	X	X	X	X
12	TA00063523A	ROPS LABEL, ROPS	1	X			X		
12	TA00050764B	ROPS (2510) LABEL, ROPS	1		X			X	
12	TA00063526A	ROPS LABEL, ROPS	1			X			X
15	NTE5210000C4	LABEL, PTO	1	X	X	X	X	X	X
17	TZE4190000C4	LABEL, FILLER CAUTION	1	X	X	X	X	X	X
18	TZE5180000C4	LABEL, FAN WARNING	1	X	X	X	X	X	X
19	TZE5130000C4	LABEL, MUFFLER	1	X	X	X	X	X	X
20	TZE4130000B4	LABEL, PEDAL	1	X	X	X	X	X	X
21	FED2210000D	(2400) NAME PLATE	1	X					
21	TA00063522A	(2400h) NAME PLATE	1				X		
21	TA00050762B	(2510) NAME PLATE	1		X				
21	TA00050772B	(2510h) NAME PLATE	1					X	
21	TA00060944B	(2610R) NAME PLATE	1			X			
21	TA00063525A	(2610h) NAME PLATE	1						X

120. (DECAL)



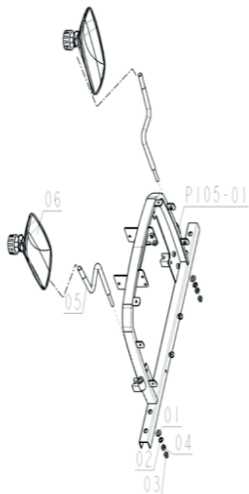
No.	Part No.	Part Name	(Q'ty)			2024h	3026h
22	TA00051323A	PTO (960,MID) LABEL, 960,MID PTO	1			X	X
23	TA00051903B	PTO (540) LABEL, PTO(540)	1			X	X
24	FED2240000B	LABEL, RANGE SHIFT	1			X	
24	TA00050763D	LABEL, RANGE SHIFT(3)	1				X
25	TZE4170000B4	LABEL, HYDRAULIC	1			X	X
26	FED2260000B	LABEL, 4WD	1			X	X
33	TZE4300000B4	PTO LABEL, CAUTION	1			X	X
34	FBE4990000A	LABEL, WARNING	1			X	X
35	NTE5150000C4	LABEL, CAUTION	1			X	X
36	EA00004125A	(A1100N2-TIRE4 EPA) LABEL, ENGINE	1			X	X
40	TA00016634A	LABEL,SEATBELT	1			X	X
41	TA00059067A		1			X	X

121. (BALLAST WEIGHT)



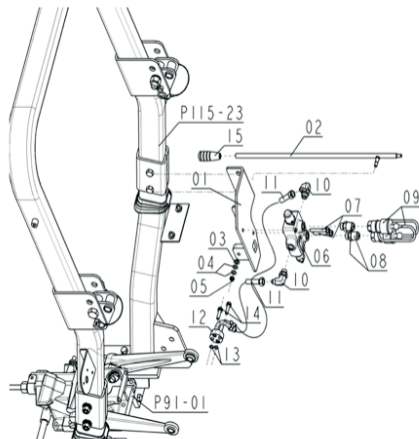
No.	Part No.	Part Name	(Q'ty)			2024h	3026h	
1	22137-160000	WASHER	2			X	X	
2	22217-160000	WASHER	4			X	X	
3	26013-120352	BOLT	6			X	X	M12X35
4	26716-120002	NUT	6			X	X	M12
5	26716-160002	NUT	4			X	X	M16
6	TA00063961A	WEIGHT	5			X	X	
7	TA00016911A	BOLT	2			X	X	
8	TA00063958A	FRONT HITCH ASS'Y	1			X	X	

122. (REAR VIEW MIRROR)



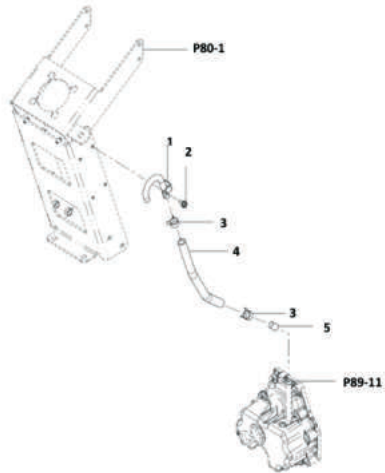
No.	Part No.	Part Name	(Q'ty)			2024h	3026h	
1	22137-100000	WASHER	2			X	X	
2	22217-100000	WASHER	2			X	X	
3	26657-100002	NUT	2			X	X	
4	26716-100002	NUT	2			X	X	M10
5	TA00063959A	REAR VIEW MIRROR STAY	2			X	X	
6	TCF517000B3	REAR VIEW MIRROR	2			X	X	

123. SCV 2PORT (SCV 2PORT)



No.	Part No.	Part Name	(Q'ty)	2024h	3026h	
1	TA00063962A	BRACKET, SCV	1	X		
1	TA00063963A	BRACKET, SCV	1		X	
2	TA00021033A	LEVER, SCV	1	X	X	
3	22127-080000	WASHER	1	X	X	
4	RR66240000A4	SPRING	2	X	X	
5	26346-080002	NUT	1	X	X	M8
6	TA00001290A	SCV	1	X	X	
6	TA00037849A	VALVE	1	X	X	
7	26106-080552	BOLT	2	X	X	M6X55
8	FBA3060000A	JOINT	2	X	X	
9	FBA3150000A	JOINT ARM	2	X	X	
9	FBA3150000A	JOINT ARM	2	X	X	
10	CEE4050000A4	ELBOW	2	X	X	
11	TA0002232B	HOSE	2	X	X	
12	TA00019291D	ASSY, CAP	1	X	X	
13	24311-000090	O-RING	2	X	X	
14	26013-080302	BOLT	2	X	X	M6X30
15	VD05460000A4	GRIP	1	X	X	

124



No.	Part No.	Part Name	(Q'ty)			2024h	3026h
1	TA00053196A	ASS'Y, AIR BREATHER	1			X	X
2	26106-060122	BOLT, FLANGE	1			X	X
3	23080-016000	CLAMP	2			X	X
4	FE93050000B	HOSE	2			X	X
5	TA00052989A	(D12xd1) ORIFICE	1			X	X