



REVOLT STAND ON

ZERO-TURN MOWER OWNER'S PARTS MANUAL

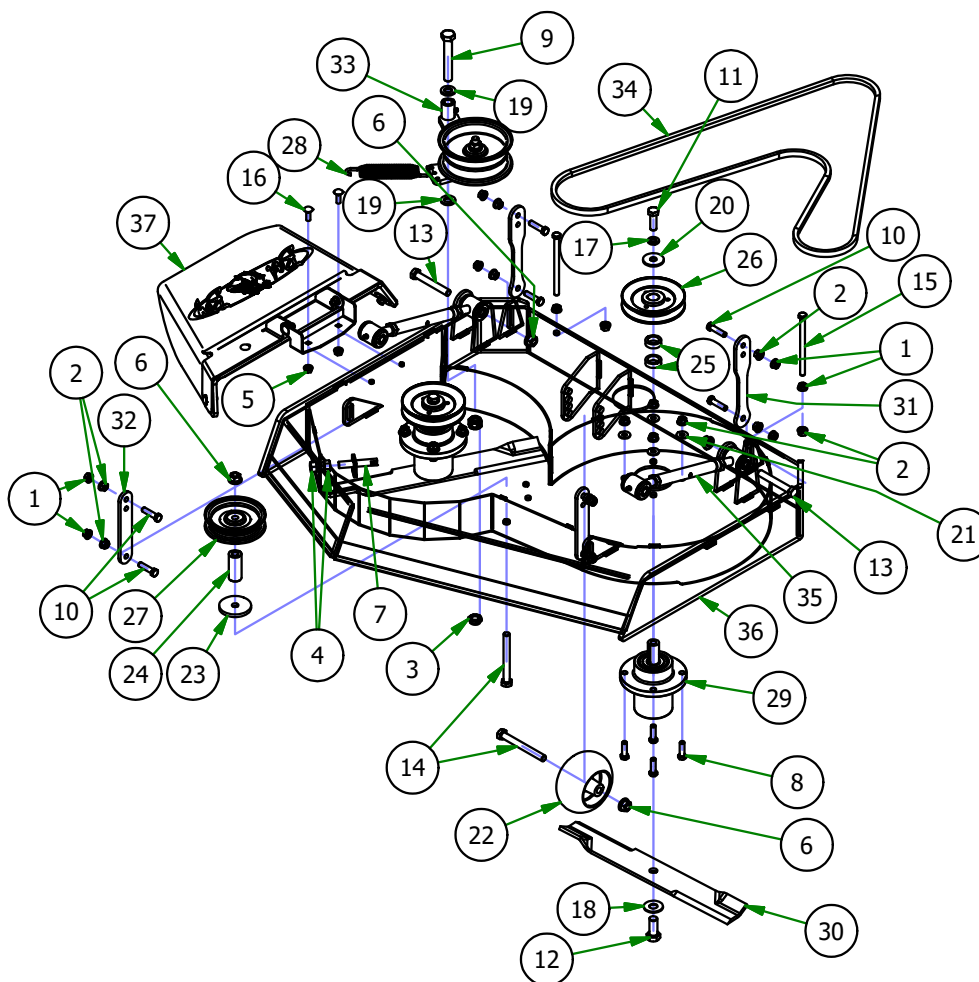
Before ordering parts please check for the latest parts manual update at www.badboymowers.com

Released
1/27/2021



PARTS SECTION: 36" DECK ASSEMBLY

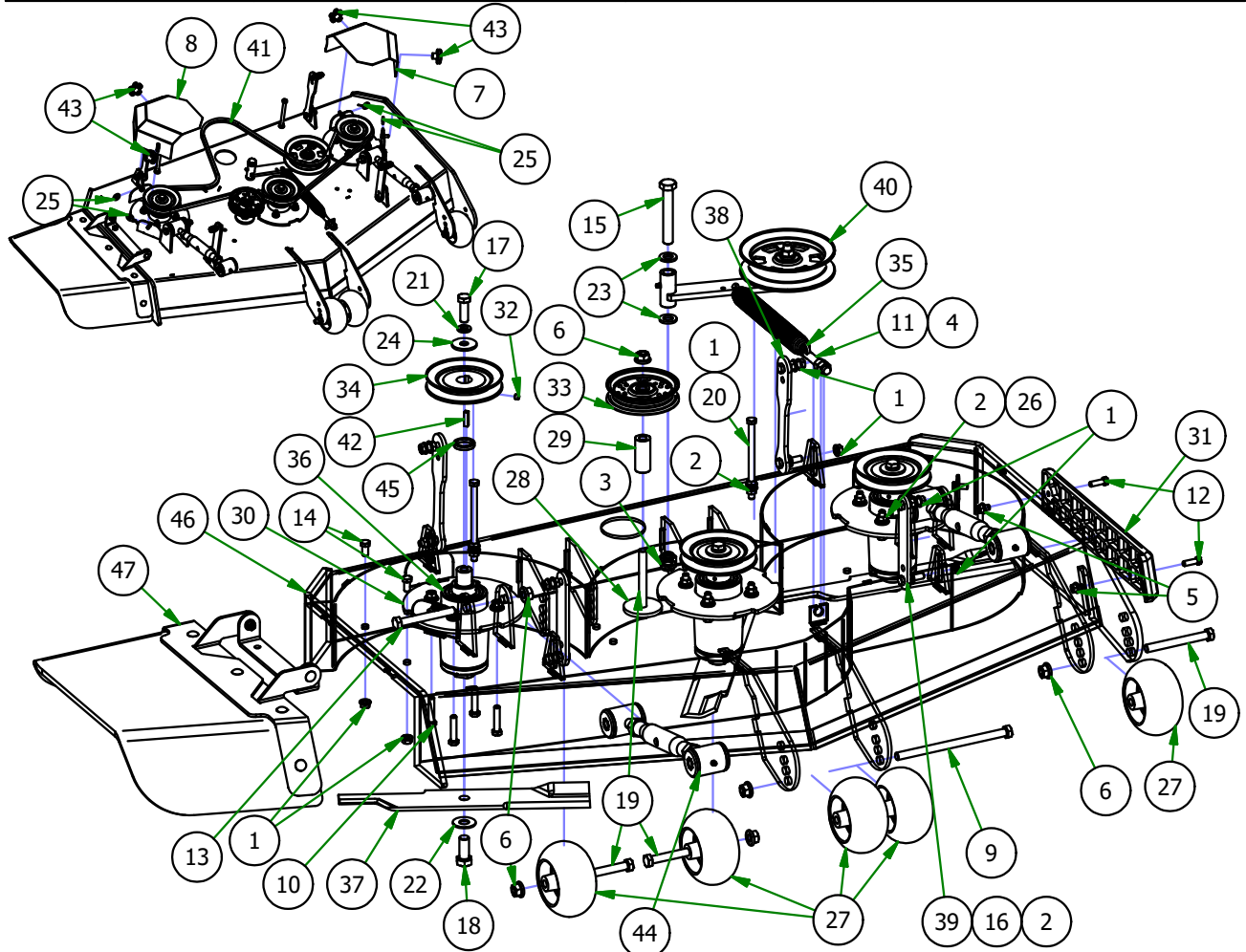
Parts List				Parts List			
ITEM	QTY	PART NUMBER	DESCRIPTION	ITEM	QTY	PART NUMBER	DESCRIPTION
1	10	013-5201-00	3/8-16 HEX SERRATED FLANGE NUT HARD/ZINC	20	2	019-6020-00	1/2 BELLEVILLE WASHER (1-5/8 OD X .140 THK) ZINC
2	18	013-5202-00	3/8-16 NYLON INSERT FLANGE LOCKNUT (GR.F) ZINC	21	8	019-8044-00	5/16 USS FLAT WASHER (7/8 OD) ZINC
3	1	013-5301-00	5/8-11 NYLON INSERT JAM LOCKNUT ZINC	22	1	022-1001-00	2019 Deck Wheel
4	2	013-7018-00	1/2-13 HEX NUT ZINC	23	1	025-0025-00	MZ Deck Idler Spacer
5	2	013-8049-00	5/16-18 NYLON INSERT FLANGE LOCKNUT ZINC	24	1	025-0032-00	2019 Revolt Stationary Idle Spacer
6	4	013-8050-00	1/2-13 NYLON INSERT FLANGE LOCKNUT ZINC	25	4	025-0060-00	36 Deck Spindle Spacer
7	1	018-2004-50	All Thread	26	2	033-4820-00	MZ Deck Pulley
8	8	018-5040-00	3/8-16 X 1-1/4 HEX CAP SCREW (GR.5) ZINC	27	1	033-7026-00	5 V Idler Pulley 1/2" Bore
9	1	018-5311-00	5/8-11 X 4 HEX CAP SCREW (GR.8) ZINC YELLOW	28	1	034-2009-00	2009 Deck/Pump Idler Spring
10	8	018-6012-00	3/8-16 X 1-1/2 HEX CAP SCREW (GR.5) ZINC	29	2	037-2002-00	36" Revolt Spindle Assembly
11	2	018-6019-00	1/2-20 X 1-1/2 HEX CAP SCREW (GR.5) ZINC	30	2	038-3010-00	52" Deck Fusion Blade
12	2	018-6020-00	5/8-18 X 1-1/2 HEX CAP SCREW (GR.8) ZINC YELLOW	31	2	039-2128-00	2019 Stand-On Rear Deck Hanger
13	2	018-6054-00	1/2-13 X 3-1/2 HEX CAP SCREW (GR.5) ZINC	32	2	039-2129-00	2019 Revolt Front Deck Hanger
14	2	018-7050-00	1/2-13 X 4-1/2 HEX CAP SCREW (GR.5) ZINC	33	1	039-6952-98	2020 36" Revolt Deck Idler Assembly
15	2	018-7060-00	3/8-16 X 5-1/2 HEX CAP SCREW (GR.5) ZINC	34	1	041-8054-00	2020 Walk-Behind 36 Deck Belt
16	2	018-8065-00	5/16-18 X 1 CARRIAGE BOLT (GR.8) ZINC	35	2	048-6000-00	2018 Maverick Turnbuckle (Top Link)
17	2	019-5007-00	1/2 SPLIT LOCKWASHER (GR.8) ZINC/YELLOW	36	1	060-1136-20	
18	2	019-5038-00	5/8 USS FLAT WASHER (1-3/4" OD) GR.8 ZINC YELLOW	37	1	210-6016-98	2020 36 Stand On Discharge Assembly
19	2	019-6017-00	.635 ID X 1.120 OD X .140 THICK FLAT WASHER NYLON				





PARTS SECTION: 48" DECK ASSEMBLY

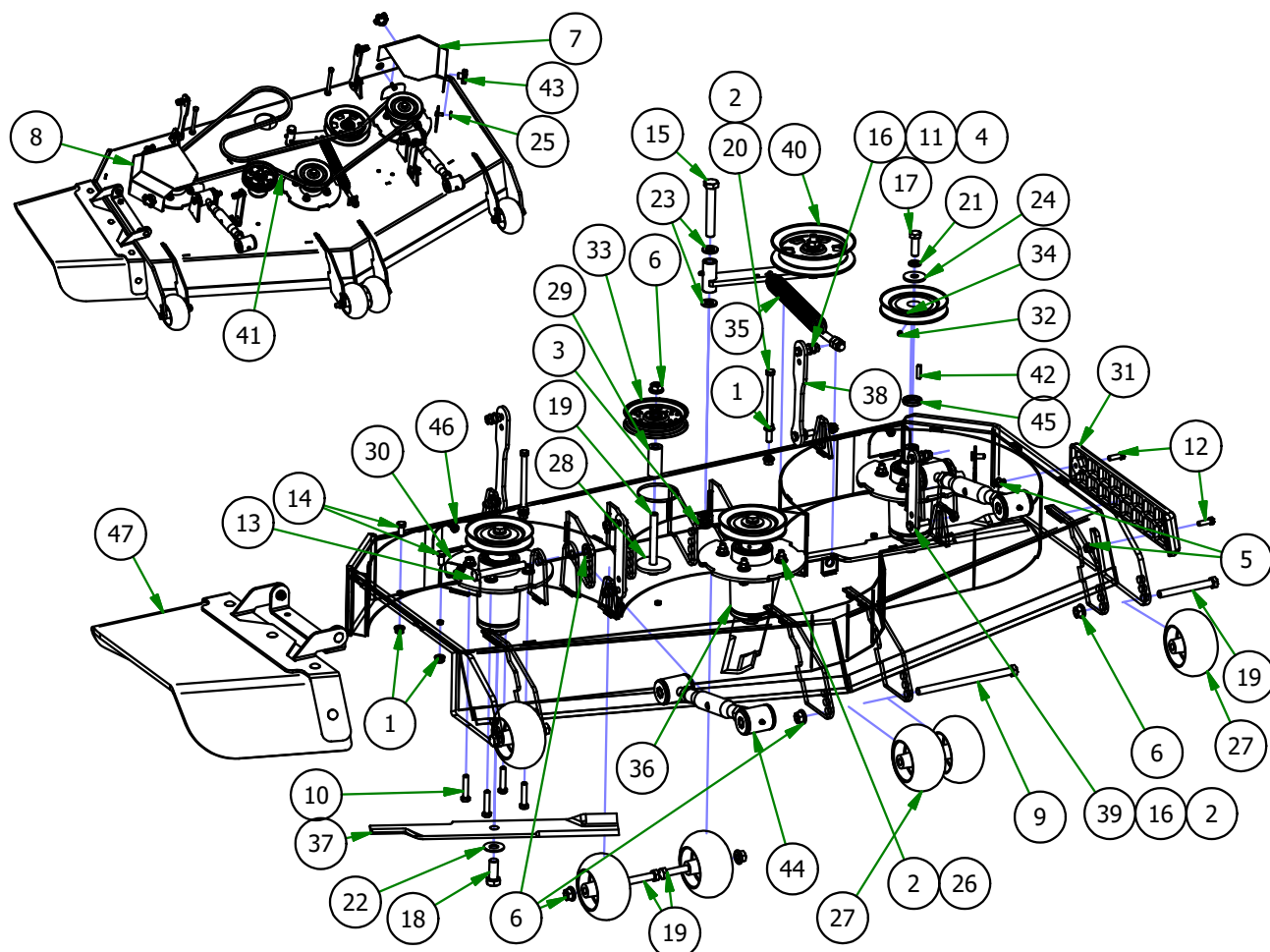
Parts List				Parts List			
ITEM	QTY	PART NUMBER	DESCRIPTION	ITEM	QTY	PART NUMBER	DESCRIPTION
1	12	013-5201-00	3/8-16 HEX SERRATED FLANGE NUT HARD/ZINC	25	4	019-6050-00	.360 ID X .983 OD X .120 THICK FLAT WASHER NYLON BLACK
2	22	013-5202-00	3/8-16 NYLON INSERT FLANGE LOCKNUT (GR.F) ZINC	26	12	019-8044-00	5/16 USS FLAT WASHER (7/8 OD) ZINC
3	1	013-5301-00	5/8-11 NYLON INSERT JAM LOCKNUT ZINC	27	5	022-1001-00	2019 Deck Wheel
4	2	013-7018-00	1/2-13 HEX NUT ZINC	28	1	025-0025-00	MZ Deck Idler Spacer
5	2	013-8049-00	5/16-18 NYLON INSERT FLANGE LOCKNUT ZINC	29	1	025-0032-00	2019 Revolt Stationary Idle Spacer
6	7	013-8050-00	1/2-13 NYLON INSERT FLANGE LOCKNUT ZINC	30	3	026-0025-00	Deck Spindle Support Plate
7	1	014-4813-00	2019 Stand On 48" Pulley Cover Trim	31	1	029-7036-00	REVISED TRIM BUMPER_20180226
8	1	014-4814-00	2019 Stand On 48" Pulley Cover Discharge	32	3	030-0050-00	5/16-24 X 1/4 SOCKET SET SCREW (CUP PT) PLAIN
9	1	018-0046-00	1/2-13 X 8 HEX CAP SCREW GR 5 ZINC	33	1	033-6001-00	4 3/4 Idler Pulley - ABFI-76
10	12	018-0075-00	3/8-16 X 1-3/4 HEX C/S (GR.5) ZC	34	3	033-6003-00	5" Spindle Deck Pulley
11	1	018-2004-50	All Thread	35	1	034-2030-00	2019 Outlaw Gen2 Deck Spring
12	2	018-2007-00	5/16-18 X 1 HEX CAP SCREW (GR.5) ZINC	36	3	037-6015-50	Spindle Assembly
13	2	018-5019-00	1/2-13 X 4 HEX CAP SCREW (GR.8) ZINC YELLOW	37	3	038-5350-00	48" ZT/Mav/Compact Outlaw Blade with Fusion
14	2	018-5250-00	3/8-16 X 3/4 HEX CAP SCREW (GR.5) ZINC	38	2	039-2128-00	2019 Stand-On Rear Deck Hanger
15	1	018-5311-00	5/8-11 X 4 HEX CAP SCREW (GR.8) ZINC YELLOW	39	2	039-2129-00	2019 Revolt Front Deck Hanger
16	8	018-6012-00	3/8-16 X 1-1/2 HEX CAP SCREW (GR.5) ZINC	40	1	039-6945-19	2019 Revolt Deck Idler Assembly
17	3	018-6019-00	1/2-20 X 1-1/2 HEX CAP SCREW (GR.5) ZINC	41	1	041-5200-00	B111 Belt
18	3	018-6020-00	5/8-18 X 1-1/2 HEX CAP SCREW (GR.8) ZINC YELLOW	42	3	042-6030-00	1/4 X 1 SQ MACHINERY KEY 1018 STL PLN
19	4	018-7050-00	1/2-13 X 4-1/2 HEX CAP SCREW (GR.5) ZINC	43	4	045-6043-00	5/16" Knob
20	2	018-7060-00	3/8-16 X 5-1/2 HEX CAP SCREW (GR.5) ZINC	44	2	048-7000-00	Turnbuckle
21	3	019-5007-00	1/2 SPLIT LOCKWASHER (GR.8) ZINC/YELLOW	45	3	058-1000-00	Spacer, 1x1.375x.25
22	3	019-5038-00	5/8 USS FLAT WASHER (1-3/4" OD) GR.8 ZINC YELLOW	46	1	060-1148-19	2019 48 Stand On Deck Weldment
23	2	019-6017-00	.635 ID X 1.120 OD X .140 THICK FLAT WASHER NYLON	47	1	210-7000-98	2019 Outlaw Gen2 Chute Assembly
24	3	019-6020-00	1/2 BELLEVILLE WASHER (1-5/8 OD X .140 THK) ZINC				





PARTS SECTION: 54" DECK ASSEMBLY

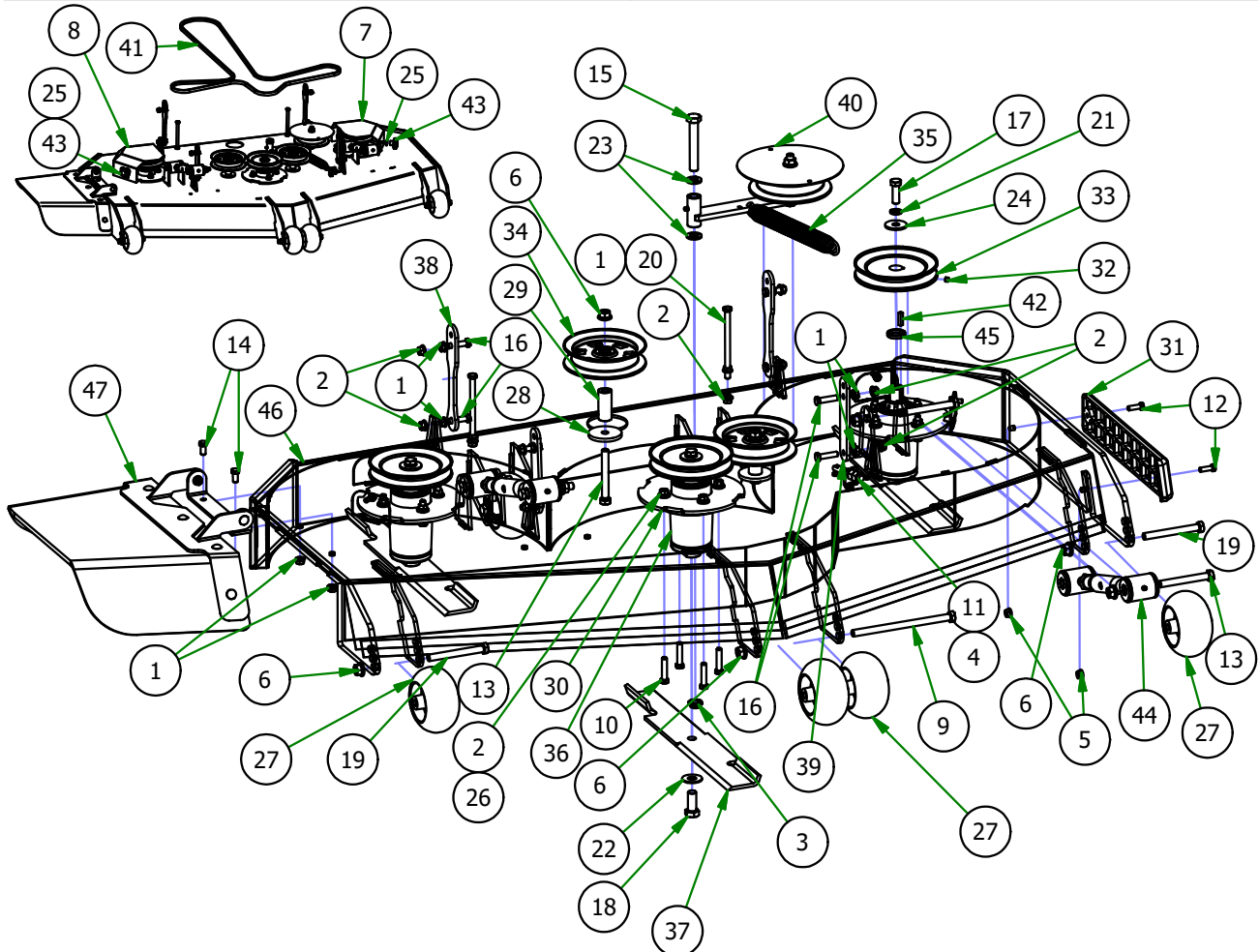
Parts List				Parts List			
ITEM	QTY	PART NUMBER	DESCRIPTION	ITEM	QTY	PART NUMBER	DESCRIPTION
1	12	013-5201-00	3/8-16 HEX SERRATED FLANGE NUT HARD/ZINC	25	4	019-6050-00	.360 ID X .983 OD X .120 THICK FLAT WASHER NYLON BLACK
2	22	013-5202-00	3/8-16 NYLON INSERT FLANGE LOCKNUT (GR.F) ZINC	26	12	019-8044-00	5/16 USS FLAT WASHER (7/8 OD) ZINC
3	1	013-5301-00	5/8-11 NYLON INSERT JAM LOCKNUT ZINC	27	6	022-1001-00	2019 Deck Wheel
4	2	013-7018-00	1/2-13 HEX NUT ZINC	28	1	025-0025-00	MZ Deck Idler Spacer
5	2	013-8049-00	5/16-18 NYLON INSERT FLANGE LOCKNUT ZINC	29	1	025-0032-00	2019 Revolt Stationary Idle Spacer
6	8	013-8050-00	1/2-13 NYLON INSERT FLANGE LOCKNUT ZINC	30	3	026-0025-00	Deck Spindle Support Plate
7	1	014-4811-00	2019 Stand On 54" Pulley Cover Trim	31	1	029-7036-00	REVISED TRIM BUMPER_20180226
8	1	014-4812-00	2019 Stand On 54" Pulley Cover Discharge	32	3	030-0050-00	5/16-24 X 1/4 SOCKET SET SCREW (CUP PT) PLAIN
9	1	018-0046-00	1/2-13 X 8 HEX CAP SCREW GR 5 ZINC	33	1	033-6001-00	4 3/4 Idler Pulley - ABFI-76
10	12	018-0075-00	3/8-16 X 1-3/4 HEX C/S (GR.5) ZC	34	3	033-6003-00	5" Spindle Deck Pulley
11	1	018-2004-50	All Thread	35	1	034-2030-00	2019 Outlaw Gen2 Deck Spring
12	2	018-2007-00	5/16-18 X 1 HEX CAP SCREW (GR.5) ZINC	36	3	037-6015-50	Spindle Assembly
13	2	018-5019-00	1/2-13 X 4 HEX CAP SCREW (GR.8) ZINC YELLOW	37	3	038-0001-00	54" Fusion Blade for ZT/Mav/Outlaw/Revolt
14	2	018-5250-00	3/8-16 X 3/4 HEX CAP SCREW (GR.5) ZINC	38	2	039-2128-00	2019 Stand-On Rear Deck Hanger
15	1	018-5311-00	5/8-11 X 4 HEX CAP SCREW (GR.8) ZINC YELLOW	39	2	039-2129-00	2019 Revolt Front Deck Hanger
16	8	018-6012-00	3/8 x 1 1/2 Bolt	40	1	039-6945-19	2019 Revolt Deck Idler Assembly
17	3	018-6019-00	1/2-20 X 1-1/2 HEX CAP SCREW (GR.5) ZINC	41	1	041-0120-00	42 inch Deck Belt- B120
18	3	018-6020-00	5/8-18 X 1-1/2 HEX CAP SCREW (GR.8) ZINC YELLOW	42	3	042-6030-00	1/4 X 1 SQ MACHINERY KEY 1018 STL PLN
19	5	018-7050-00	1/2-13 X 4-1/2 HEX CAP SCREW (GR.5) ZINC	43	4	045-6043-00	5/16" Knob
20	2	018-7060-00	3/8-16 X 5-1/2 HEX CAP SCREW (GR.5) ZINC	44	2	048-7000-00	Turnbuckle
21	3	019-5007-00	1/2 SPLIT LOCKWASHER (GR.8) ZINC/YELLOW	45	3	058-1000-00	Spacer, 1x1.375x.25
22	3	019-5038-00	5/8 USS FLAT WASHER (1-3/4" OD) GR.8 ZINC YELLOW	46	1	060-1154-19	2019 Stand On 54" Sloped Deck Welded Assembly
23	2	019-6017-00	.635 ID X 1.120 OD X .140 THICK FLAT WASHER NYLON	47	1	210-7000-98	2019 Outlaw Gen2 Chute Assembly
24	3	019-6020-00	1/2 BELLEVILLE WASHER (1-5/8 OD X .140 THK) ZINC				





PARTS SECTION: 61" DECK ASSEMBLY

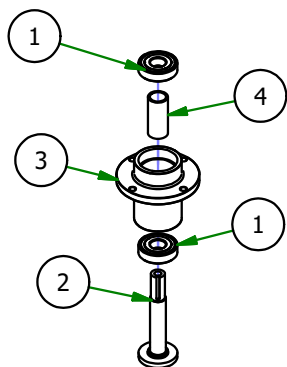
Parts List				Parts List			
ITEM	QTY	PART NUMBER	DESCRIPTION	ITEM	QTY	PART NUMBER	DESCRIPTION
1	12	013-5201-00	3/8-16 HEX SERRATED FLANGE NUT HARD/ZINC	25	4	019-6050-00	.360 ID X .983 OD X .120 THICK FLAT WASHER NYLON BLACK
2	22	013-5202-00	3/8-16 NYLON INSERT FLANGE LOCKNUT (GR.F) ZINC	26	12	019-8044-00	5/16 USS FLAT WASHER (7/8 OD) ZINC
3	1	013-5301-00	5/8-11 NYLON INSERT JAM LOCKNUT ZINC	27	6	022-1001-00	2019 Deck Wheel
4	2	013-7018-00	1/2-13 HEX NUT ZINC	28	2	025-0025-00	MZ Deck Idler Spacer
5	2	013-8049-00	5/16-18 NYLON INSERT FLANGE LOCKNUT ZINC	29	2	025-0032-00	2019 Revolt Stationary Idle Spacer
6	11	013-8050-00	1/2-13 NYLON INSERT FLANGE LOCKNUT ZINC	30	3	026-0025-00	Deck Spindle Support Plate
7	1	014-4811-00	2019 Stand On 54" Pulley Cover Trim	31	1	029-7036-00	REVISED TRIM BUMPER_20180226
8	1	014-4812-00	2019 Stand On 54" Pulley Cover Discharge	32	3	030-0050-00	5/16-24 X 1/4 SOCKET SET SCREW (CUP PT) PLAIN
9	1	018-0046-00	1/2-13 X 8 HEX CAP SCREW GR 5 ZINC	33	3	033-6004-00	6 1/4" Drive Pulley
10	12	018-0075-00	3/8-16 X 1-3/4 HEX C/S (GR.5) ZC	34	2	033-7201-25	5-3/4" Idler Pulley
11	1	018-2004-50	All Thread	35	1	034-2030-00	2019 Outlaw Gen2 Deck Spring
12	2	018-2007-00	5/16-18 X 1 HEX CAP SCREW (GR.5) ZINC	36	3	037-6015-50	Spindle Assembly
13	6	018-5019-00	1/2-13 X 4 HEX CAP SCREW (GR.8) ZINC YELLOW	37	3	038-6080-00	61 inch Fusion Blade
14	2	018-5250-00	3/8-16 X 3/4 HEX CAP SCREW (GR.5) ZINC	38	2	039-2128-00	2019 Stand-On Rear Deck Hanger
15	1	018-5311-00	5/8-11 X 4 HEX CAP SCREW (GR.8) ZINC YELLOW	39	2	039-2129-00	2019 Revolt Front Deck Hanger
16	8	018-6012-00	3/8-16 X 1-1/2 HEX CAP SCREW (GR.5) ZINC	40	1	039-6945-20	2020 61 Revolt Deck Idler Assembly
17	3	018-6019-00	1/2-20 X 1-1/2 HEX CAP SCREW (GR.5) ZINC	41	1	041-4022-00	B138 Belt
18	3	018-6020-00	5/8-18 X 1-1/2 HEX CAP SCREW (GR.8) ZINC YELLOW	42	3	042-6030-00	1/4 X 1 SQ MACHINERY KEY 1018 STL PLN
19	4	018-7050-00	1/2-13 X 4-1/2 HEX CAP SCREW (GR.5) ZINC	43	4	045-6043-00	5/16" Knob
20	2	018-7060-00	3/8-16 X 5-1/2 HEX CAP SCREW (GR.5) ZINC	44	2	048-7000-00	Turnbuckle
21	3	019-5007-00	1/2 SPLIT LOCKWASHER (GR.8) ZINC/YELLOW	45	3	058-1000-00	Spacer, 1x1.375x.25
22	3	019-5038-00	5/8 USS FLAT WASHER (1-3/4" OD) GR.8 ZINC YELLOW	46	1	060-1161-20	61" Revolt Deck Weldment-Bad Boy Orange
23	2	019-6017-00	.635 ID X 1.120 OD X .140 THICK FLAT WASHER NYLON	47	1	210-7000-98	2019 Outlaw Gen2 Chute Assembly
24	3	019-6020-00	1/2 BELLEVILLE WASHER (1-5/8 OD X .140 THK) ZINC				



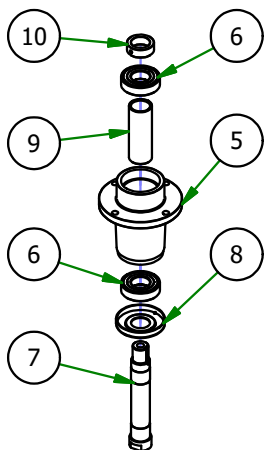


PARTS SECTION: DECK SUB-ASSEMBLIES

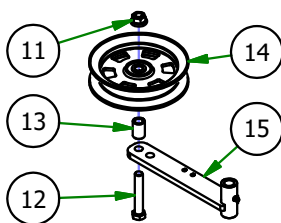
037-2002-00 Parts List				039-6945-19 Parts List			
ITEM	QTY	PART NUMBER	DESCRIPTION	ITEM	QTY	PART NUMBER	DESCRIPTION
1	2	037-6024-00	Spindle Bearing	11	1	013-8050-00	1/2-13 NYLON INSERT FLANGE LOCKNUT ZINC
2	1	037-6025-01	36" Revolt Spindle	12	1	018-7016-00	1/2-13 X 3 HEX CAP SCREW (GR.5) ZINC
3	1	037-6027-00	Spindle Housing	13	1	025-5337-00	SPACER
4	1	037-6028-00	Spindle Spacer-Component	14	1	033-8050-00	5" Idler Pulley
037-6015-50 Parts List				039-6945-20 Parts List			
ITEM	QTY	PART NUMBER	DESCRIPTION	ITEM	QTY	PART NUMBER	DESCRIPTION
5	1	037-6017-50	Aluminum Spindle Housing -2010	16	1	013-8050-00	1/2-13 NYLON INSERT FLANGE LOCKNUT ZINC
6	2	037-6023-00	Spindle Bearing, 2004 and up	17	1	014-4005-00	61" Revolt Idler Pulley Cover
7	1	037-6026-00	Short Spindle Shaft w/Locking	18	1	018-0051-00	1/2-13 X 3-3/4 HEX CAP SCREW (GR.5) ZINC
8	1	037-8002-00	Dust Cover	19	1	025-5203-00	Spacer 3/4 OD x 1/2 ID x 3/4 Length
9	1	037-8050-00	Tube Spacer for Spindle Shaft	20	1	025-5337-00	SPACER
10	1	037-9050-00	Collar Spacer - Top of Spindle	21	1	033-8050-00	5" Idler Pulley
				22	1	039-6945-00	Deck Idler
039-6952-98 Parts List							
ITEM	QTY	PART NUMBER	DESCRIPTION				
23	1	013-8050-00	1/2-13 NYLON INSERT FLANGE LOCKNUT ZINC				
24	1	018-7016-00	1/2-13 X 3 HEX CAP SCREW (GR.5) ZINC				
25	1	024-0001-00	1/4-28 Grease Fitting				
26	1	025-5203-00	Spacer 3/4 OD x 1/2 ID x 3/4 Length				
27	1	033-5000-00	5 3/4" Deck Idler Pulley				
28	1	039-6952-00	2020 36 Deck Idler Arm Weldment				



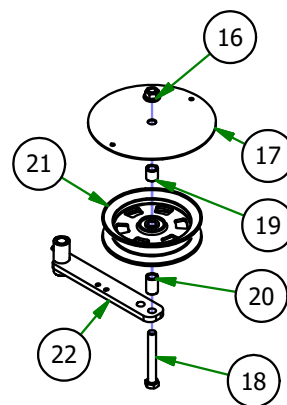
037-2002-00
36" Revolt Spindle Assembly



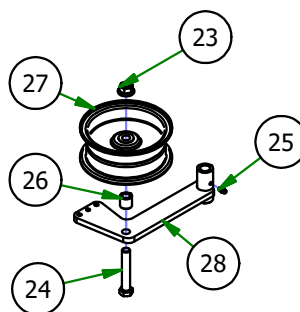
037-6015-50
Spindle- Aluminum -2012 ZT



039-6945-19
2019 Revolt Deck Idler Assembly



039-6945-20
2020 61 Revolt Deck Idler Assembly

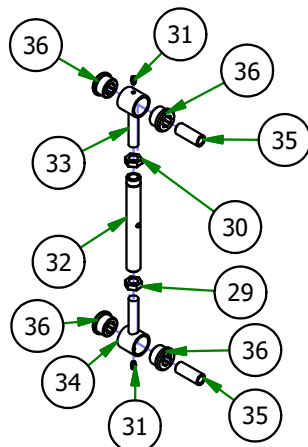


039-6952-98
2020 36" Revolt Deck Idler Assembly

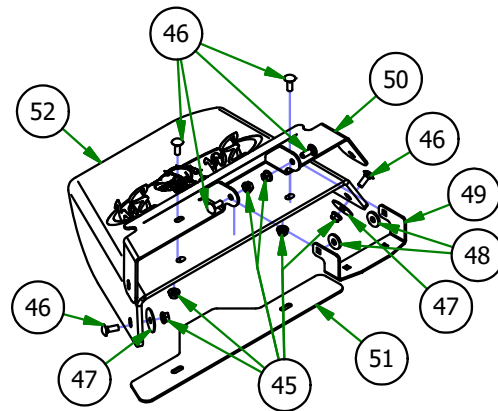


PARTS SECTION: DECK SUB-ASSEMBLIES CONTINUED

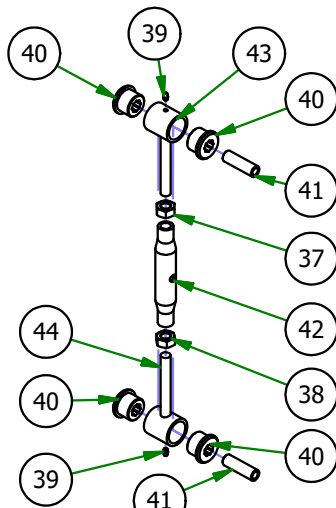
048-6000-00 Parts List				210-6016-98 Parts List			
ITEM	QTY	PART NUMBER	DESCRIPTION	ITEM	QTY	PART NUMBER	DESCRIPTION
29	1	013-0019-00	NUT, 5/8-18	45	6	013-8049-00	5/16-18 NYLON INSERT FLANGE LOCKNUT ZINC
30	1	013-0020-00	NUT, 5/8-18LH	46	6	018-8066-00	5/16-18 X 7/8 CARRIAGE BOLT ZINC
31	2	024-0001-00	1/4-28 Grease Fitting	47	2	019-0002-00	5/16 FENDER WASHER (1-1/2 OD) ZINC
32	1	048-6001-00	2018 Maverick Toplink Body	48	2	019-6042-00	.360 ID X .983 OD X .120 THICK FLAT WASHER NYLON
33	1	048-6002-00	2018 Maverick Bushing Retainer Left-Handed	49	1	039-0152-00	2020 36 Stand On Chute Hanger
34	1	048-6003-00	2018 Maverick Bushing Retainer Right-Handed	50	1	039-4891-00	Discharge Chute Bracket 48 MZ (Upper)
35	2	048-6004-00	2018 Maverick Bushing Sleeve	51	1	039-4892-00	2017 MZ Discharge Chute Bracket-Lower
36	4	048-6005-00	2018 Maverick Bushing	52	1	210-6014-00	Rubber Discharge Chute MZ (Component)
048-7000-00 Parts List				210-7000-98 Parts List			
ITEM	QTY	PART NUMBER	DESCRIPTION	ITEM	QTY	PART NUMBER	DESCRIPTION
37	1	013-0007-00	Hex Nut, 11/16-12	53	1	039-4894-00	2019 Lower Chute Bracket
38	1	013-0008-00	Hex Nut, 11/16-12 Left Handed	54	1	210-6025-00	2019 Belted Chute with Logo
39	2	024-6034-00	1/4" Press in Grease Fitting	55	1	039-4893-00	2019 Upper Chute Bracket
40	4	032-2000-00	Polyurethane Bushing	56	7	013-8049-00	5/16" Nylon Flange Nut
41	2	032-2001-00	Sleeve	57	5	018-4703-00	5/16" x 1 1/4" Carriage Bolt
42	1	048-7020-00	2015 Outlaw Toplink Body	58	2	018-8066-00	5/16" x 7/8" Carriage Bolt
43	1	048-7021-00	2015 Outlaw Toplink RH End	59	2	019-6042-00	.360 ID Plastic Washer
44	1	048-7022-00	2015 Outlaw Toplink LH End	60	1	206-6018-00	2019 Chute Hanger



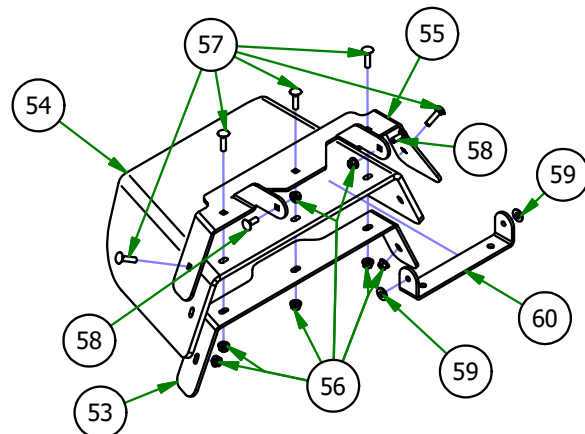
048-6000-00
2018 Maverick Turnbuckle (Top Link)



210-6016-98
2020 36 Stand On Discharge Assembly



048-7000-00
Turnbuckle

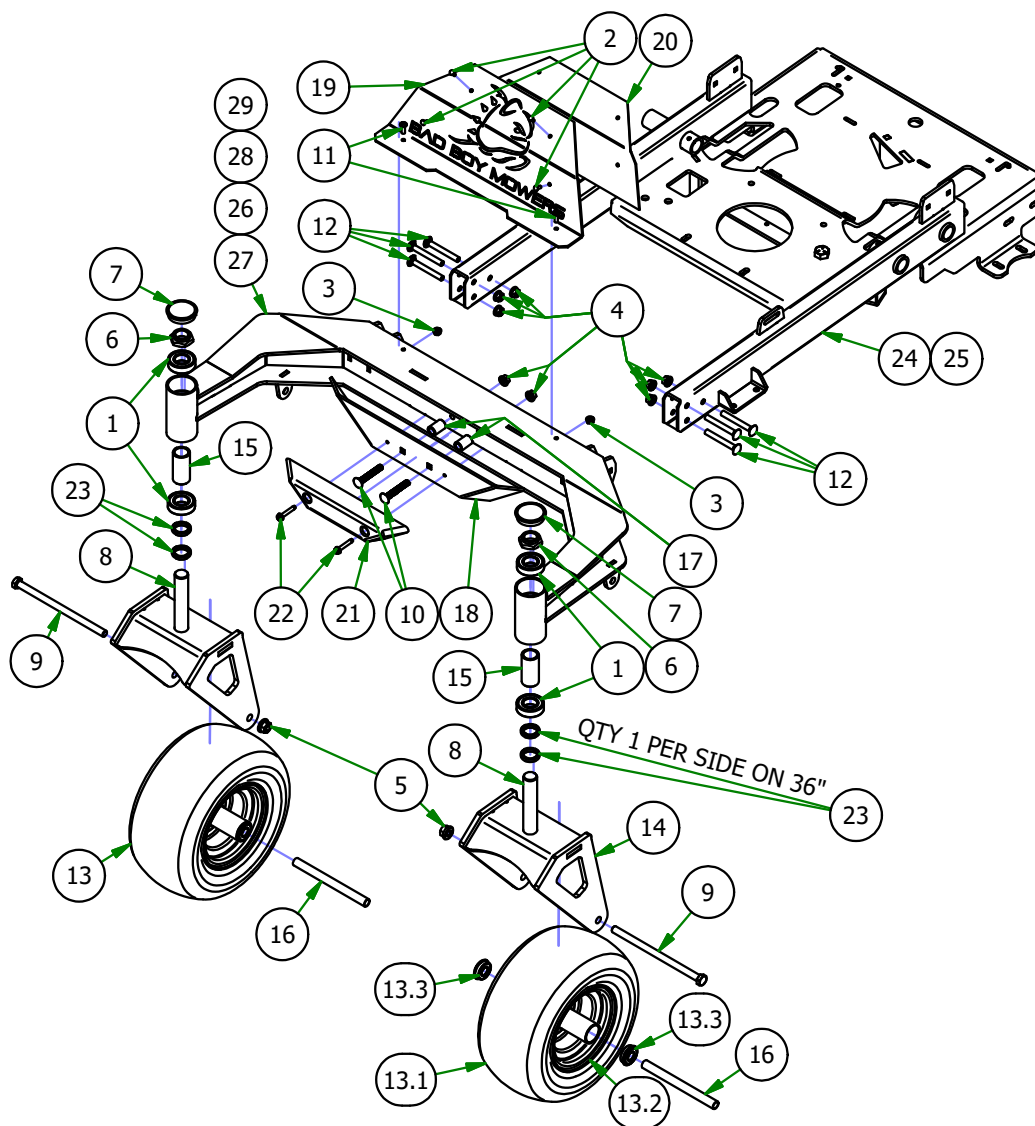


210-7000-98
2019 Outlaw Gen2 Chute Assembly



PARTS SECTION: FRONT END

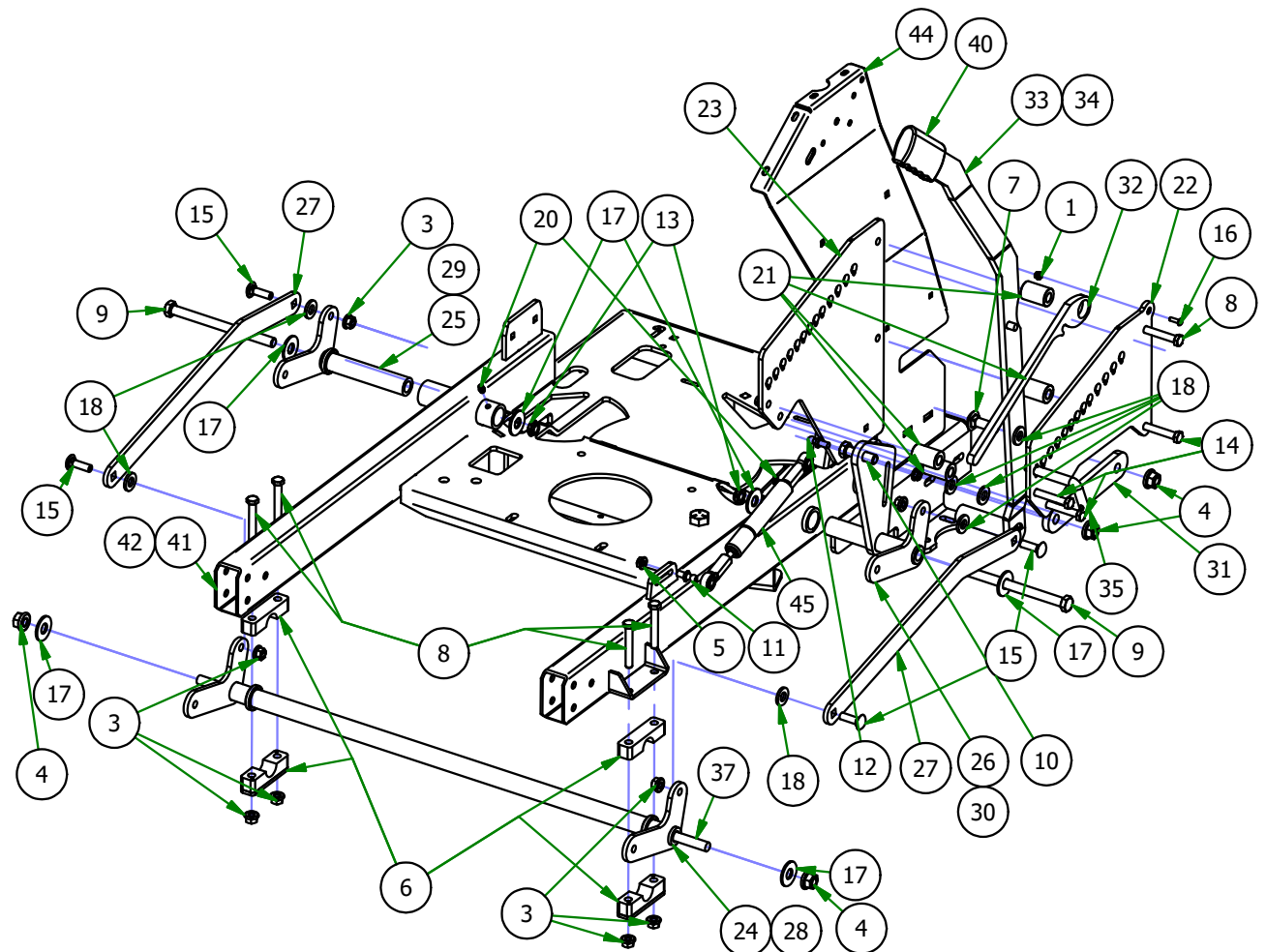
Parts List				Parts List			
ITEM	QTY	PART NUMBER	DESCRIPTION	ITEM	QTY	PART NUMBER	DESCRIPTION
1	4	010-1050-00	1641 BEARING W/2 CONTACT RUBBER SEALS	14	2	023-1010-00	2019 Stand-on Front Fork Weldment
2	4	013-0026-00	3/16 Rivet for .126-.25 THK	15	2	025-0003-00	2016 Front Bearing Spacer
3	2	013-2050-00	1/4-20 Nylon Insert flange Nut	16	2	025-5202-00	Front Wheel Spanner
4	8	013-5202-00	3/8" Nylock Flange Nut	17	2	025-5337-00	SPACER
5	2	013-8050-00	1/2-13 NYLON INSERT FLANGE LOCKNUT ZINC	18	1	026-0049-00	2019 Stand On Front Bumper Plate
6	2	013-9004-00	1"-14 NYLON INSERT JAM LOCKNUT ZINC	19	1	026-0084-00	2019 Stand On Exhaust Shield
7	2	014-2025-00	2017 Bearing Cover	20	1	026-0085-00	2019 Stand On Exhaust Backer Plate
8	2	018-0026-00	1"-14 X 5-1/2 HEX CAP SCREW (GR.8) ZINC YELLOW	21	1	029-7040-00	Bumper EZT
9	2	018-0040-00	1/2-13 X 8-1/2 HEX CAP SCREW (GR.5) ZINC	22	2	030-7039-00	1/4" x 1 1/2" Self Tapping Screw
10	2	018-0044-00	3/8" x 2 1/2" Carriage Bolt	23	4	058-1000-00	Spacer, 1x1.375x.25
11	2	018-0058-00	1/4"-20 x 3/4 Black Oxide 18-8 Stainless Pan Head	24	1	070-5220-RW	2019 Stand On Frame Weldment
12	6	018-0072-00	3/8-16 X 3 CARRIAGE BOLT ZINC GR5	25	1	070-5221-RW	2020 36 Stand On Frame Weldment
13	2	022-2017-00	13x6.5-6 Black Tire and Wheel Assembly	26	1	070-9036-20	2020 36 Stand-On Front End Weldment
13.1	1	022-5347-00	13 x 6.50 - 6 Tire	27	1	070-9048-19	2019 Stand-On 48 Front End Weldment
13.2	1	022-7007-00	Front Tire Rim	28	1	070-9054-19	2019 Stand-On 54 Front End Weldment
13.3	2	022-7009-00	Ball Bearing w/Retainer, 99502H-NR, .625 Bore x 1.375 OD x .4375 Width	29	1	070-9061-20	Stand-On 61 Front End Weldment





PARTS SECTION: DECK HEIGHT LEVER ASSEMBLY

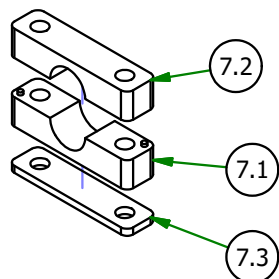
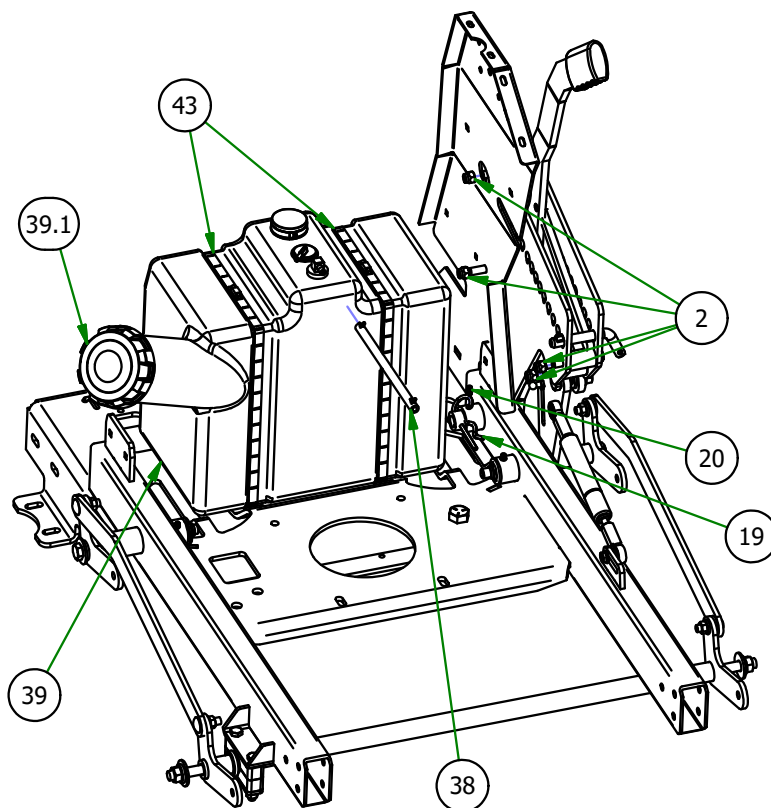
Parts List				Parts List			
ITEM	QTY	PART NUMBER	DESCRIPTION	ITEM	QTY	PART NUMBER	DESCRIPTION
1	1	013-5019-00	10-24 Nylon Insert Locknut Zinc	24	1	028-0028-00	2019 Stand On Front Actuator Bar Weldment
2	4	013-5041-00	3/8-16 NYLON INSERT LOCKNUT ZINC	25	1	028-0029-00	2019 Stand On Actuator Bar Rear RH
3	8	013-5202-00	3/8 Nylock Flange Nut	26	1	028-0030-00	2019 Stand On Actuator Bar Rear- LH
4	4	013-8050-00	1/2-13 NYLON INSERT FLANGE LOCKNUT ZINC	27	2	028-0033-00	2019 Stand-on Actuator Linkage
5	2	013-9002-00	5/16-18 Hex Flange Nuts Zinc w	28	1	028-0036-00	2020 36 Stand On Front Actuator Bar Weldment
6	2	017-9076-00	Pillow Block Kit	29	1	028-0037-00	2020 36 Stand On Actuator Rear RH
7	1	018-0008-00	1/2-13 X 1-1/2 CARRIAGE BOLT (GR.5) ZINC	30	1	028-0038-00	2020 36 Actuator rear_LH
8	7	018-0028-00	3/8-16 X 2-1/2 HEX CAP SCREW (GR.5) ZINC	31	1	028-5001-00	2019 Stand On Lever Secondary Linkage
9	2	018-0038-00	1/2-13 X 6 1/2 HEX CAP SCREW (GR.5) ZINC	32	1	031-0093-00	2019 Stand on deck lever lock
10	1	018-0102-00	1/2-13 x 1 3/4" GR5 Hex Bolt	33	1	031-7146-00	2019 Stand On Lift Lever Weldment
11	1	018-2050-00	10mm Damper Ball Stud-Steering	34	1	031-7148-00	2020 36 Stand On Lift Lever Weldment
12	1	018-2055-00	10mm Damper Ball Stud-XP Linkage	35	1	040-4001-00	Height Adj Pin
13	2	018-4010-00	1/2-13 NYLON INSERT JAM LOCKNUT ZINC	36	2	048-6000-00	2018 Maverick Turnbuckle (Top Link) (36" ONLY)
14	1	018-4700-00	3/8-16 X 3 HEX CAP SCREW (GR.5) ZINC	37	1	048-6058-00	2020 36 Stand On Turnbuckle Rod
15	4	018-5043-00	3/8-16 X 1-1/4 Carriage Bolt	38	1	051-8067-08	Revolt Fuel Line Assembly
16	1	018-5200-00	10-24 X 5/8 BS C/S 18-8 SS	39	1	067-0030-00	2019 REVOLT FUEL TANK
17	6	019-2040-00	1/2 Flat Washer	39.1	0	066-8076-00	Fuel Cap
18	7	019-8054-00	.505 ID X 1.000 OD X .125 THICK FLAT WASHER NYLON	40	1	069-4012-00	2019 Stand On Lift Grip
19	1	020-1001-00	Revolt Cotter Pin for 7/8" to 1" shank	41	1	070-5220-RW	2019 Stand On Frame Weldment
20	3	024-6034-00	1/4" Press in Grease Fitting	42	1	070-5221-RW	2020 36 Stand On Frame Weldment
21	4	025-5338-00	.502 ID X .750 OD X 1.500 Long Spacer	43	2	072-0051-00	2019 Stand On Gas Tank Strap
22	1	026-0082-00	2019 Stand On Outer Adjustment Plate	44	1	079-4111-00	2019 Podium Panel Left
23	1	026-0083-00	2019 Stand On Inner Adjustment Plate	45	1	087-5400-00	200 lb Gas Spring- 54" Deck outlaw



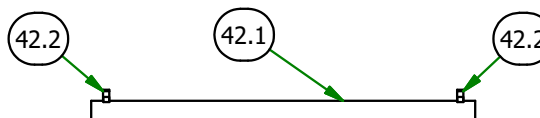


PARTS SECTION: DECK HEIGHT LEVER ASSEMBLY (CONT.)

017-9046-00 Parts List				051-8067-08 Parts List			
ITEM	QTY	PART NUMBER	DESCRIPTION	ITEM	QTY	PART NUMBER	DESCRIPTION
7.1	1	017-9077-00	Pillow Block MZ male	42.1	0.667 ft	051-8067-00	1/4 Fuel Line
7.2	1	017-9078-00	Pillow Block MZ female	42.2	2	072-8069-00	1/4 Fuel Hose Clamp
7.3	1	017-9079-00	Pillow Block Strap				



**017-9076-00
Pillow Block Kit**

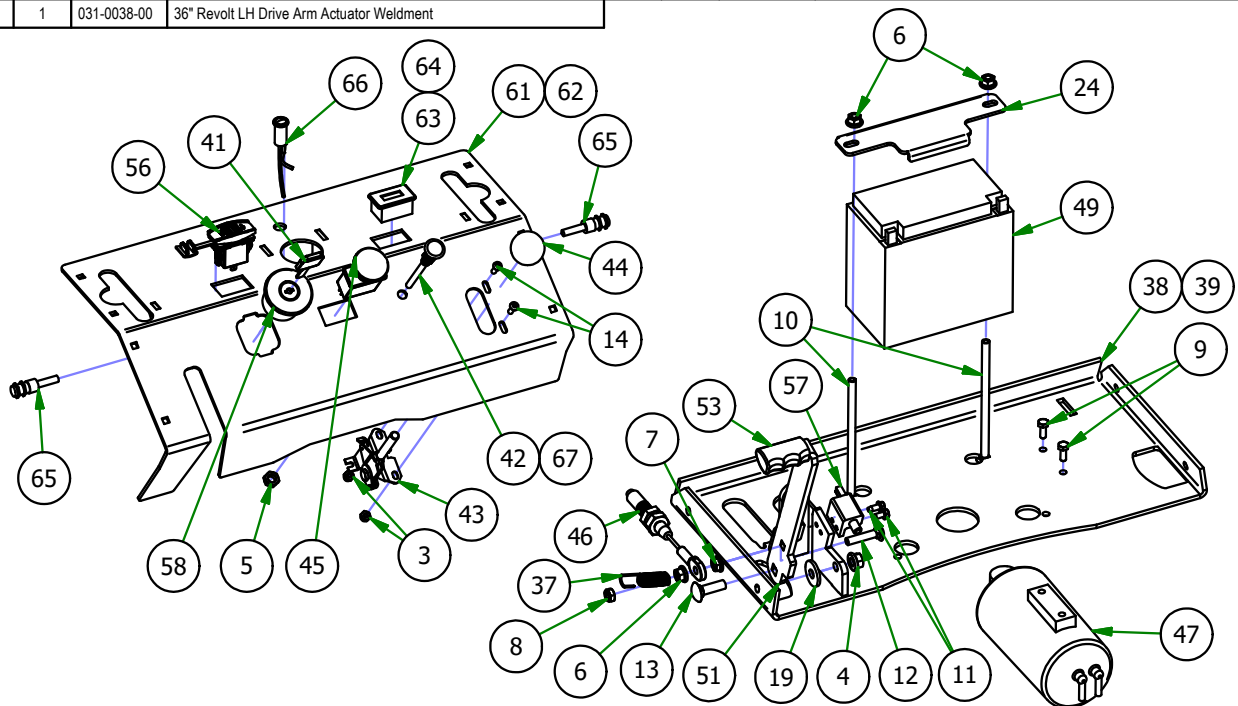


**051-8067-08
Revolt Fuel Line Assembly**



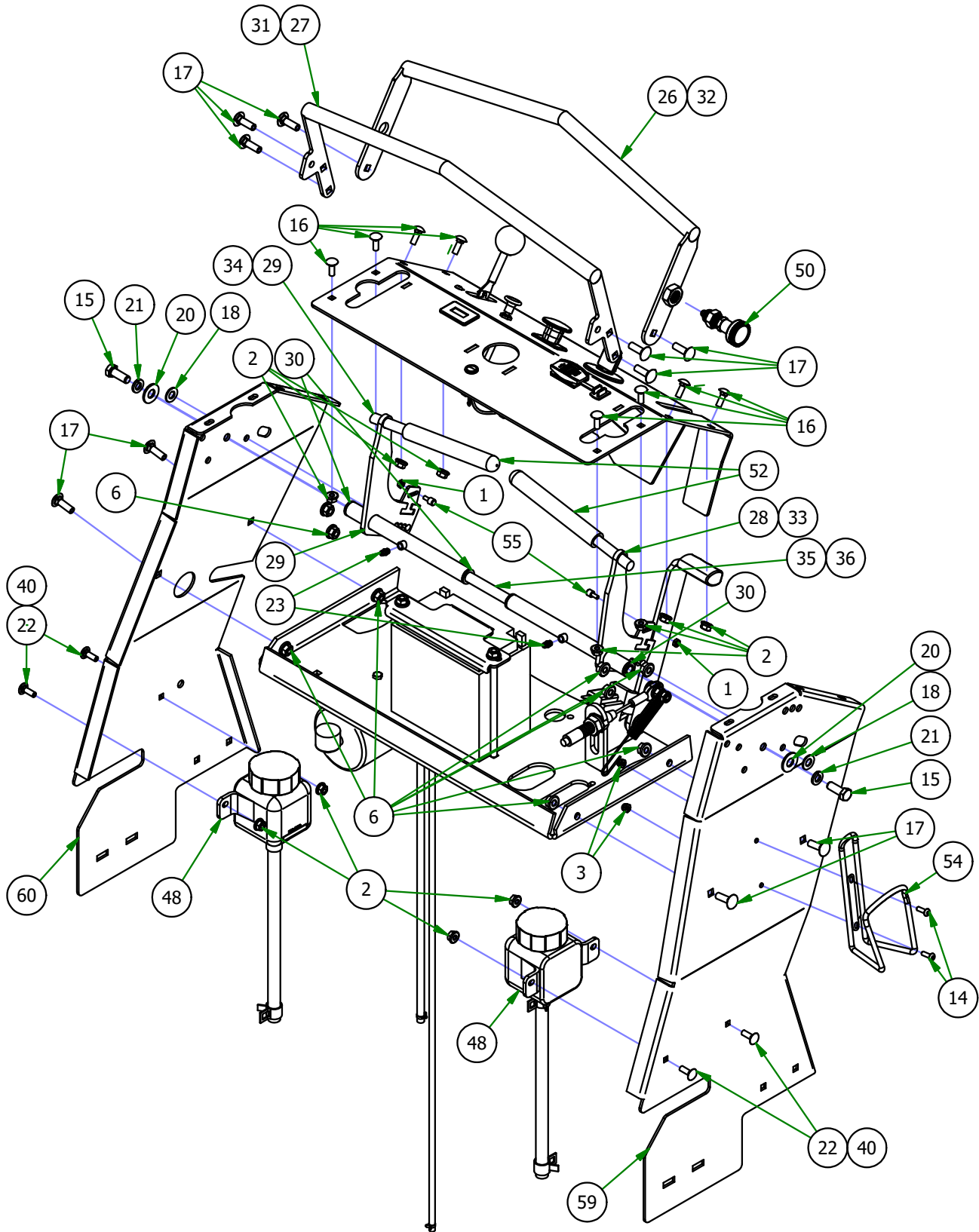
PARTS SECTION: PODIUM ASSEMBLIES

Parts List				Parts List			
ITEM	QTY	PART NUMBER	DESCRIPTION	ITEM	QTY	PART NUMBER	DESCRIPTION
1	2	013-0001-00	8-32 HEX M/S NUT ZINC	35	1	031-0091-00	2019 Stand On Drive Arm Pivot Bar
2	12	013-2050-00	1/4-20 NYL INSERT FLANGE LOCKNUT ZINC	36	1	031-0094-00	2020 36" Stand On Drive Pivot Bar
3	4	013-5019-00	10-24 NYLON INSERT LOCKNUT ZINC	37	1	034-1025-00	Brake Spring
4	1	013-5202-00	3/8-16 NYLON INSERT FLANGE LOCKNUT (GR.F) ZINC	38	1	039-0087-00	2019 Stand On Console Bracket Weldment
5	1	013-6051-00	3/8-24 HEX NUT ZINC YELLOW	39	1	039-0154-00	36" Console Bracket Weldment
6	13	013-8049-00	5/16-18 NYLON INSERT FLANGE LOCKNUT ZINC	40	4	040-6080-00	Ratchet Fastener (36" ONLY)
7	1	013-9002-00	5/16-18 HEX SERRATED FLANGE NUT HARD/ZINC	41	1	042-9000-00	Ignition Key
8	1	013-9005-00	5/16-18 Nylock Jam Nut 1/2 Nut	42	1	054-8017-00	Choke
9	2	018-0024-00	M6-1.0 X 16MM Hex Bolt	43	1	055-2012-00	Universal Throttle
10	2	018-0056-00	5/16-18 X 6 CARRIAGE BOLT (GR.5) ZINC	44	1	055-2013-00	Throttle Knob
11	2	018-1080-00	12-24 X 1/2 HEX WASHER UNLSOT F TCS ZINC	45	1	056-8058-00	PTO Switch
12	1	018-5020-00	5/16-18 X 1-1/2 CARRIAGE BOLT ZINC	46	1	064-3000-00	Brake Cable
13	1	018-5043-00	3/8-16 X 1-1/4 CARRIAGE BOLT ZINC	47	1	067-0020-18	Revolt EPA Cannister Assy
14	4	018-5200-00	10-24 X 5/8 BUTTON SOCKET CAP SCREW 18-8 STAINLESS STEEL	48	2	067-8090-03	Hydro Tank Assembly
15	2	018-6049-00	3/8-16 X 1 GR 5 Hex Bolts Zinc	49	1	068-8051-00	Interstate FAYTX14 Battery
16	8	018-8040-00	1/4-20 X 3/4 CARRIAGE BOLT ZINC	50	1	069-0002-00	8507A13 McMaster Carr Plunger
17	10	018-8065-00	5/16-18 X 1 CARRIAGE BOLT (GR.8) ZINC	51	1	069-2013-00	2019 Stand On Brake Handle
18	2	019-2003-00	.390 ID X .750 OD X .062 THK FLAT WASHER NYLON	52	2	069-2014-00	2019 Stand On Control Grip
19	1	019-2073-00	.390 ID X 1.12 OD X .125 THK FLAT WASHER NYLON	53	1	069-7000-00	Rubber Brake Grip-cZT/ZT 2013
20	2	019-5029-00	3/8 FLAT WASHER USS (1" OD) ZINC	54	1	071-6005-00	2019 Stand On Waterbottle Cage
21	2	019-5037-00	3/8 SPLIT LOCKWASHER ZINC	55	2	077-1000-00	Magnet-Steering Arm-Stand ON
22	4	019-8040-00	1/4-20 X 3/4 CARRIAGE BOLT (GR.5) ZINC	56	1	077-2076-00	USB Port
23	2	024-6034-00	1/4" Press in Grease Fitting	57	1	077-8073-00	Safety Switch
24	1	026-0098-00	2019 Stand On Battery Hold Down	58	1	077-8076-00	Ignition Switch
25	1	026-0157-00	2020 36" Hydrotank Carrier Plate	59	1	079-4106-00	2019 Podium Panel Right
26	1	031-0026-00	2019 Stand On Control Arm Stop Weldment	60	1	079-4111-00	2019 Podium Panel Left
27	1	031-0027-00	2019 Stand On Control Arm Stop Weldment_rear	61	1	079-4112-00	2019 Stand On Podium Front Panel Weldment
28	1	031-0028-00	2019 Stand On Drive Arm Actuator weldment_right	62	1	079-4113-00	36" Podium Front Panel Weldment
29	1	031-0029-00	2019 Stand On Drive Arm Actuator weldment_left	63	1	083-4013-00	Tachometer
30	4	031-0032-00	2019 Drive Arm Bushing	64	1	083-4050-00	Tachometer-Kohler/Yamaha EFI
31	1	031-0033-00	36" Revolt Rear Control Arm Stop Weldment	65	2	086-0015-00	Safety Switch Harness
32	1	031-0034-00	36" Front Control Arm Stop Weldment	66	1	089-1000-00	Oil Light
33	1	031-0037-00	36" RH Drive Arm Actuator Weldment	67	1	089-2000-00	Code Indicator Light-Yamaha
34	1	031-0038-00	36" Revolt LH Drive Arm Actuator Weldment				





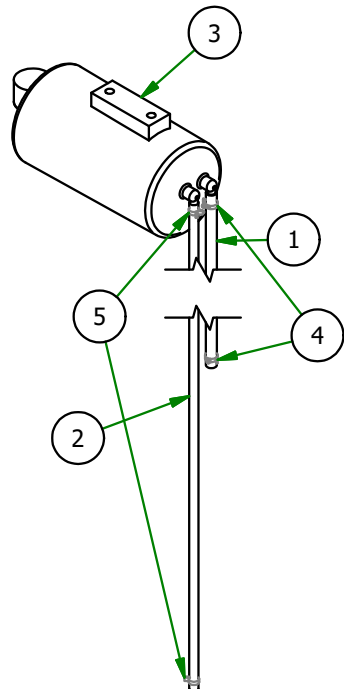
PARTS SECTION: PODIUM ASSEMBLY CONTINUED



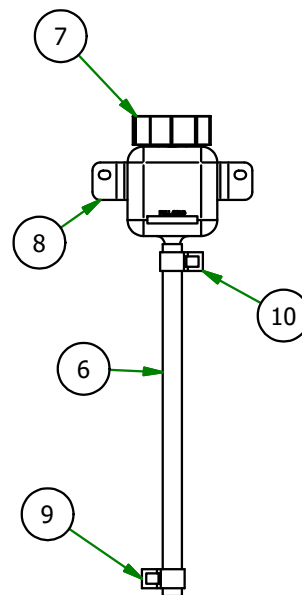


PARTS SECTION: PODIUM SUB-ASSEMBLIES

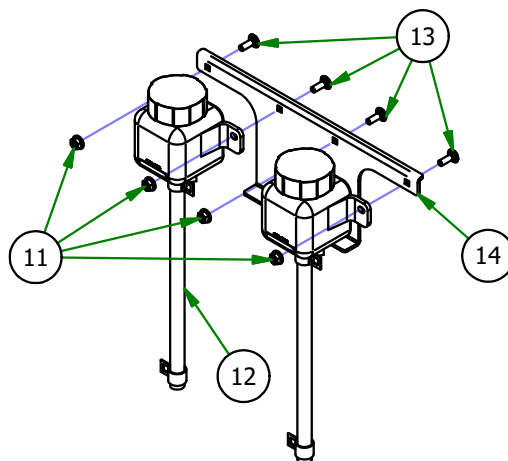
067-0020-18 Parts List				067-8090-03 Parts List			
ITEM	QTY	PART NUMBER	DESCRIPTION	ITEM	QTY	PART NUMBER	DESCRIPTION
1	1.667 ft	051-8072-00	1/4" Vinyl Tubing	6	1	051-0016-00	ZT/Maverick Hydro Tank Hose
2	2.667 ft	051-8073-00	3/16" Vinyl Tubing, 55" Long	7	1	066-5050-00	Hydraulic Tank Cap
3	1	067-0020-00	Carbon Canister	8	1	067-8090-00	350ml Expansion Tank
4	2	072-8070-00	3/16 Vinyl Clamp	9	1	072-8065-00	3/8" Hose Clamp
5	2	072-8073-00	3/16" Vinyl Hose Clamp	10	1	072-8066-00	1/2 Hose Clamp



067-0020-18
Revolt EPA Cannister Assy



067-8090-03
Hydro Tank Assembly



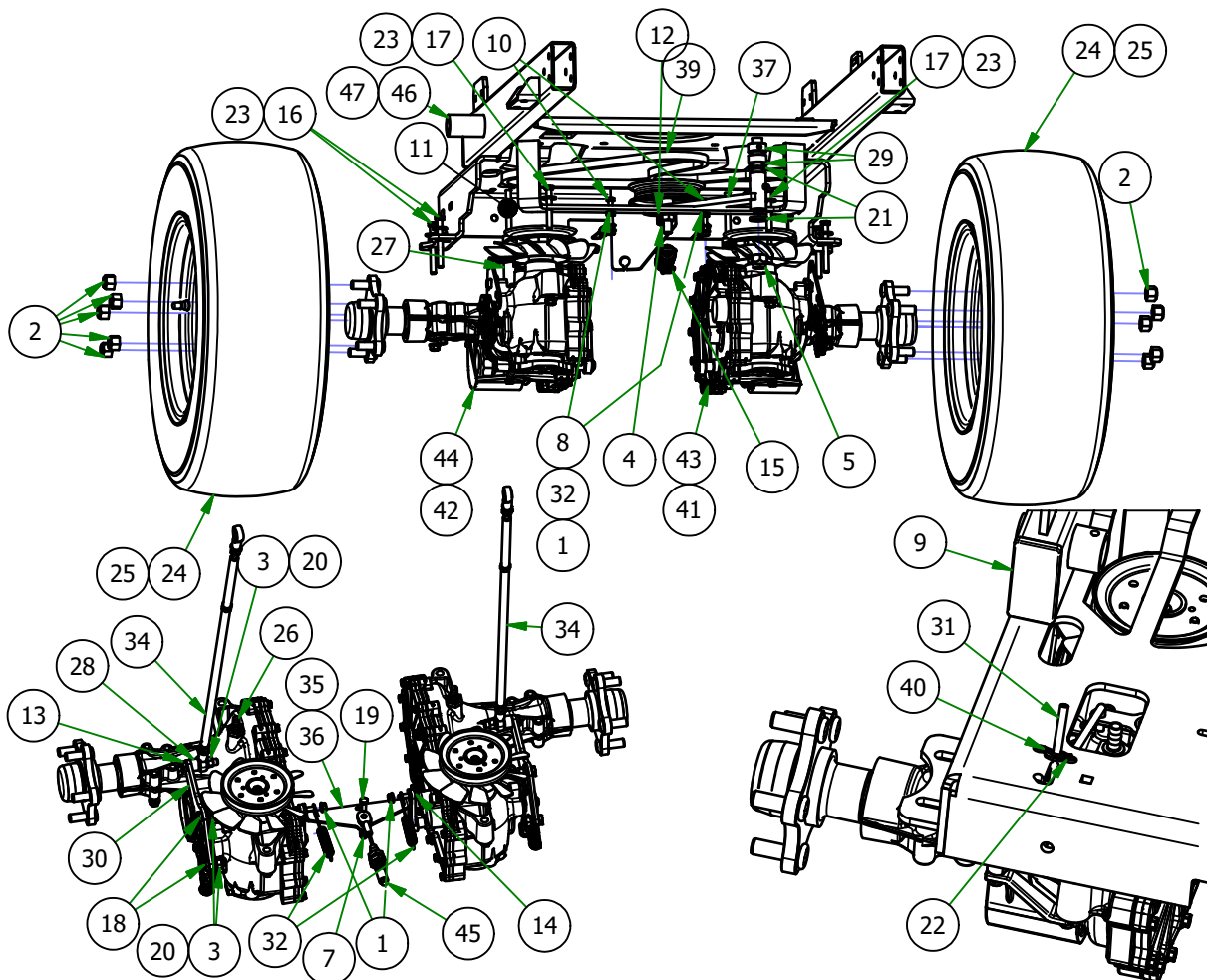
36" Revolt Hydro Tank Mounting

36" Revolt Hydro Tank Mount Parts List				36" Revolt Hydro Tank Mount Parts List			
ITEM	QTY	PART NUMBER	DESCRIPTION	ITEM	QTY	PART NUMBER	DESCRIPTION
11	12	013-2050-00	1/4-20 Nylon Insert Flange Nut	13	4	019-8040-00	1/4-20 X 3/4 CARRIAGE BOLT (GR.5) ZINC
12	2	067-8090-03	Hydro Tank Assembly	14	1	026-0157-00	2020 36 Stand On hydrotank carrier plate



PARTS SECTION: TRANSAXLE ASSEMBLY

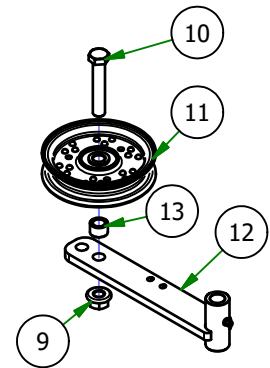
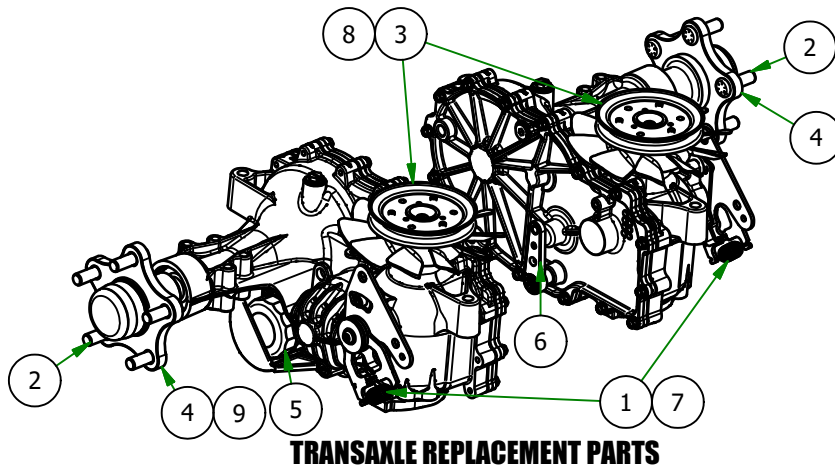
Parts List				Parts List			
ITEM	QTY	PART NUMBER	DESCRIPTION	ITEM	QTY	PART NUMBER	DESCRIPTION
1	4	013-2050-00	1/4-20 Nylon Insert Flange Nut	24	2	022-4040-00	23x9-12 Reaper Turf Tire & Wheel Assembly
2	10	013-3000-00	Acorn Lug Nut	25	2	022-4041-00	21/7x10 Reaper Tire-36 Revolt
3	6	013-6014-00	3/8-16 HEX NUT ZINC	26	2	024-1200-00	45 degree fitting
4	2	013-7018-00	1/2-13 Hex Nuts Zinc	27	2	025-0070-00	2017 Transaxle Spacer
5	1	013-7021-00	5/8-11 NYLON INSERT LOCKNUT ZINC (NOT ON 36)	28	2	025-2004-00	ACS Spacer 3/4x3/8x1/2
6	8	013-8049-00	5/16-18 Nylon Flange Nut	29	2	025-7020-00	5/8" x 1" Collar W/One Set Screw (NOT ON 36)
7	3	013-8073-00	1/4-20 NYLON INSERT LOCKNUT ZINC	30	2	026-0093-00	Stand On Control Arm Plate
8	2	013-9001-00	1/4-20 HEX SERRATED FLANGE NUT HARD/ZINC	31	2	028-0071-00	2019 Stand On Neutral Rod
9	2	014-9003-00	1 1/2 x 3 Frame Plug	32	2	034-1025-00	Brake Spring
10	2	018-0011-00	1/4-20 X 2 HEX CAP SCREW (GR.5) ZINC	33	1	034-2020-00	Deck Idler Spring
11	2	018-0056-00	5/16x6 Carriage Bolt-Grade 5	34	2	035-0006-19	2019 Revolt Push Rod Assembly
12	1	018-2004-50	All Thread	35	1	039-0151-00	2020 36 Brake Bracket
13	2	018-3000-00	3/8-16 X 2 HEX CAP SCREW (GR.5) ZINC	36	1	039-0212-00	Brake Bracket
14	2	018-4007-00	1/4-20 X 1 HEX CAP SCREW (GR.5) ZINC	37	1	039-6945-09	2019 Stand On Idler Assembly (NOT ON 36)
15	1	018-4010-00	1/2-13 NYLON INSERT JAM LOCKNUT ZINC	39	1	041-8052-00	2019 Stand On Pump Belt (Timken# 47-2827)
16	4	018-4701-00	5/16-18 X 3 HEX CAP SCREW (GR.5) ZINC	40	4	044-2004-00	Bow Pin
17	2	018-5344-00	5/16-18 X 2-1/2 HEX CAP SCREW (GR.5) ZINC	41	1	050-2096-01	Left ZT Transaxle
18	4	018-6049-00	3/8-16 X 1 GR 5 Hex Bolts Zinc	42	1	050-2095-01	Right ZT Transaxle
19	1	018-8052-00	1/4-20 X 3/4 HEX CAP SCREW (GR.5) ZINC	43	1	050-6000-00	Left 3400 IZT
20	6	019-5037-00	3/8 SPLIT LOCKWASHER ZINC	44	1	050-6001-00	Right 3400 IZT
21	2	019-6017-00	.630 ID Plastic Washer (NOT ON 36)	45	1	064-3000-00	Brake Cable
22	2	019-7040-00	1/4 USS FLAT WASHER (3/4 OD) ZINC	46	1	070-5220-RW	2019 Stand On Frame Weldment
23	6	019-8044-00	5/16 USS FLAT WASHER (7/8 OD) ZINC	47	1	070-5221-RW	2020 36 Stand On Frame Weldment



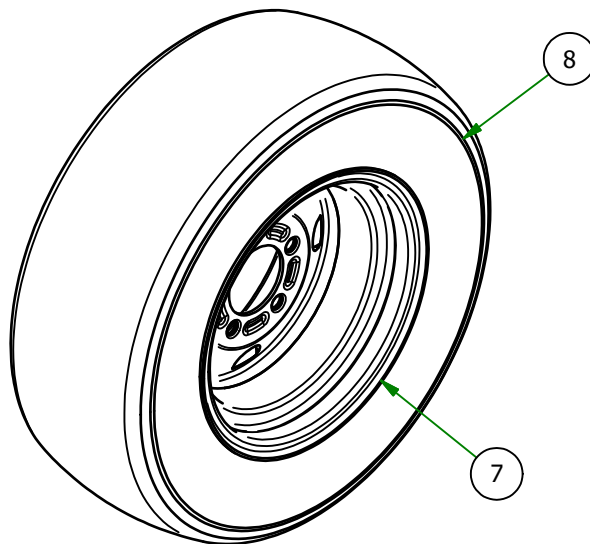


PARTS SECTION: TRANSAXLE ASSEMBLY CONTINUED

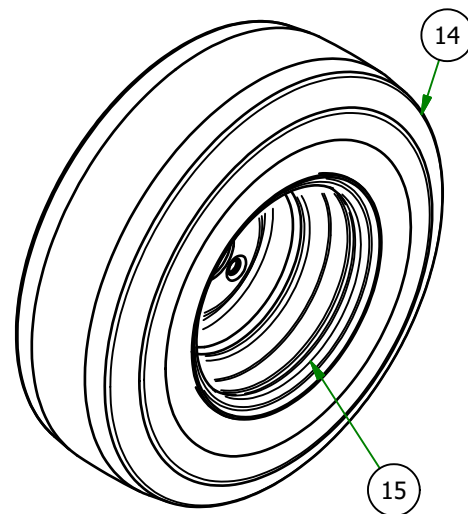
Transaxle Replacement Parts List				022-4040-00 Parts List			
ITEM	QTY	PART NUMBER	DESCRIPTION	ITEM	QTY	PART NUMBER	DESCRIPTION
1	2	034-1050-00	Transaxle Spring (050-6000-00 & 050-6001-00)	7	1	022-3011-00	12x7" Black Wheel
2	10	050-2012-00	Transaxle Wheel Studs (QTY 8 for 050-2065-00 & 050-2066-00)	8	1	022-4035-00	23x9-12 Reaper Turf Tire Only
3	2	050-2072-00	Fan/Pulley Kit (050-6000-00 & 050-6001-00)	069-6945-09 Parts List			
4	2	050-2077-00	5 Bolt Hub Kit (050-6000-00 & 050-6001-00)	ITEM	QTY	PART NUMBER	DESCRIPTION
5	2	063-1050-00	Transaxle filter	9	1	013-8050-00	1/2-13 NYLON INSERT FLANGE LOCKNUT ZINC
6	2	092-8000-00	Transaxle Brake Lever	10	1	018-6036-00	1/2-13 X 2-3/4 HEX CAP SCREW (GR.5) ZINC
7	2	034-9080-00	Transaxle Spring (050-2065-00 & 050-2066-00)	11	1	033-6001-00	4 3/4 Idler Pulley - ABFI-76
8	2	050-2075-00	Fan/Pulley Kit (050-2065-00 & 050-2066-00)	12	1	039-6945-00	Deck Idler
9	2	050-2076-00	Transaxle Hub (050-2065-00 & 050-2066-00)	13	1	025-7036-00	1/2 x 1/2 Spacer
				022-4041-00 Parts List			
				ITEM	QTY	PART NUMBER	DESCRIPTION
				14	1	022-4042-00	36" Revolt Reaper Tire
				15	1	022-4043-00	36" Revolt Wheel



**039-6945-09
2019 Stand On Idler Assembly**



**022-4040-00
23x9-12 Reaper Turf Tire & Wheel Assembly**

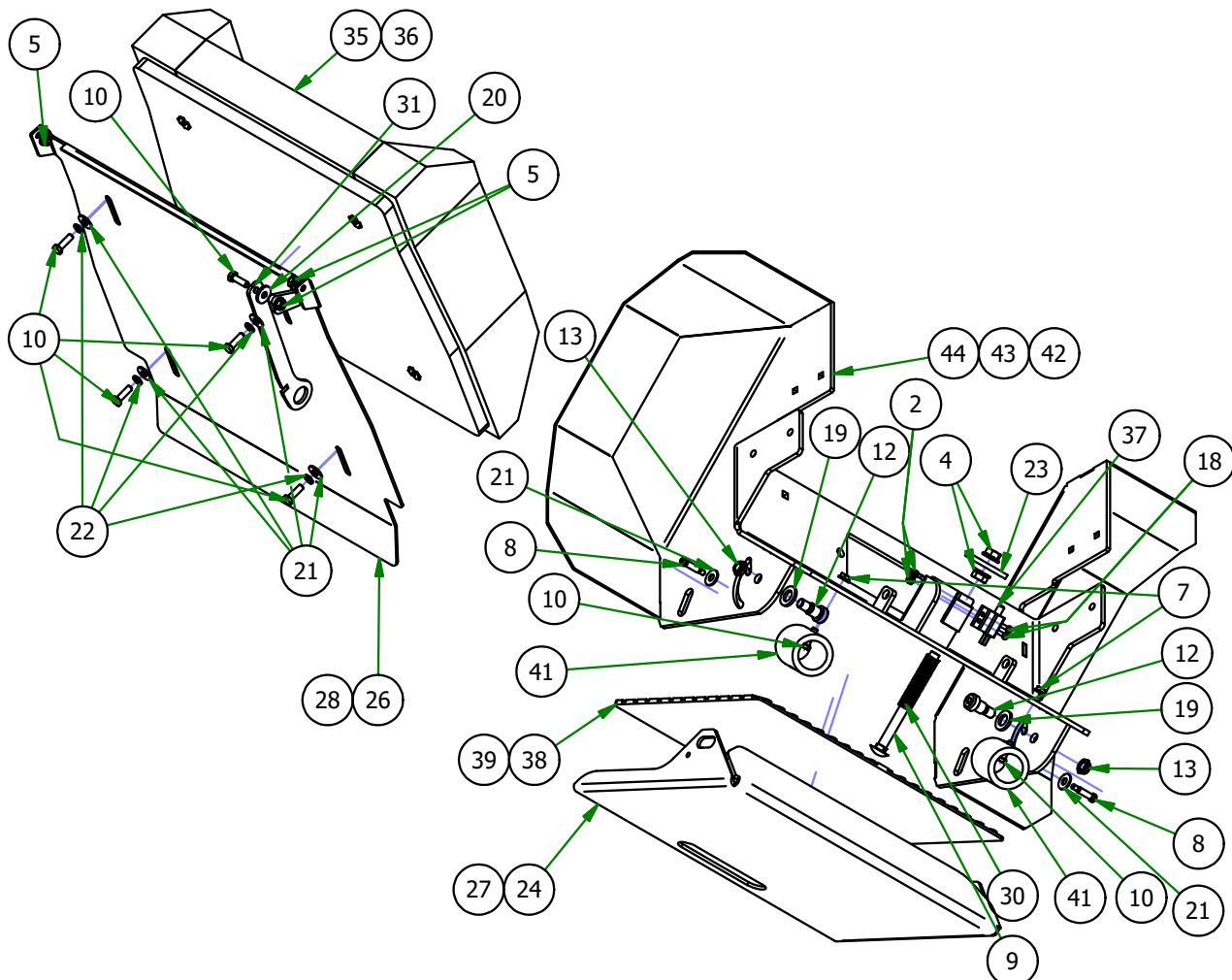


**022-4041-00
21/7x10 Reaper Tire-36 Revolt**



PARTS SECTION: REAR ASSEMBLY

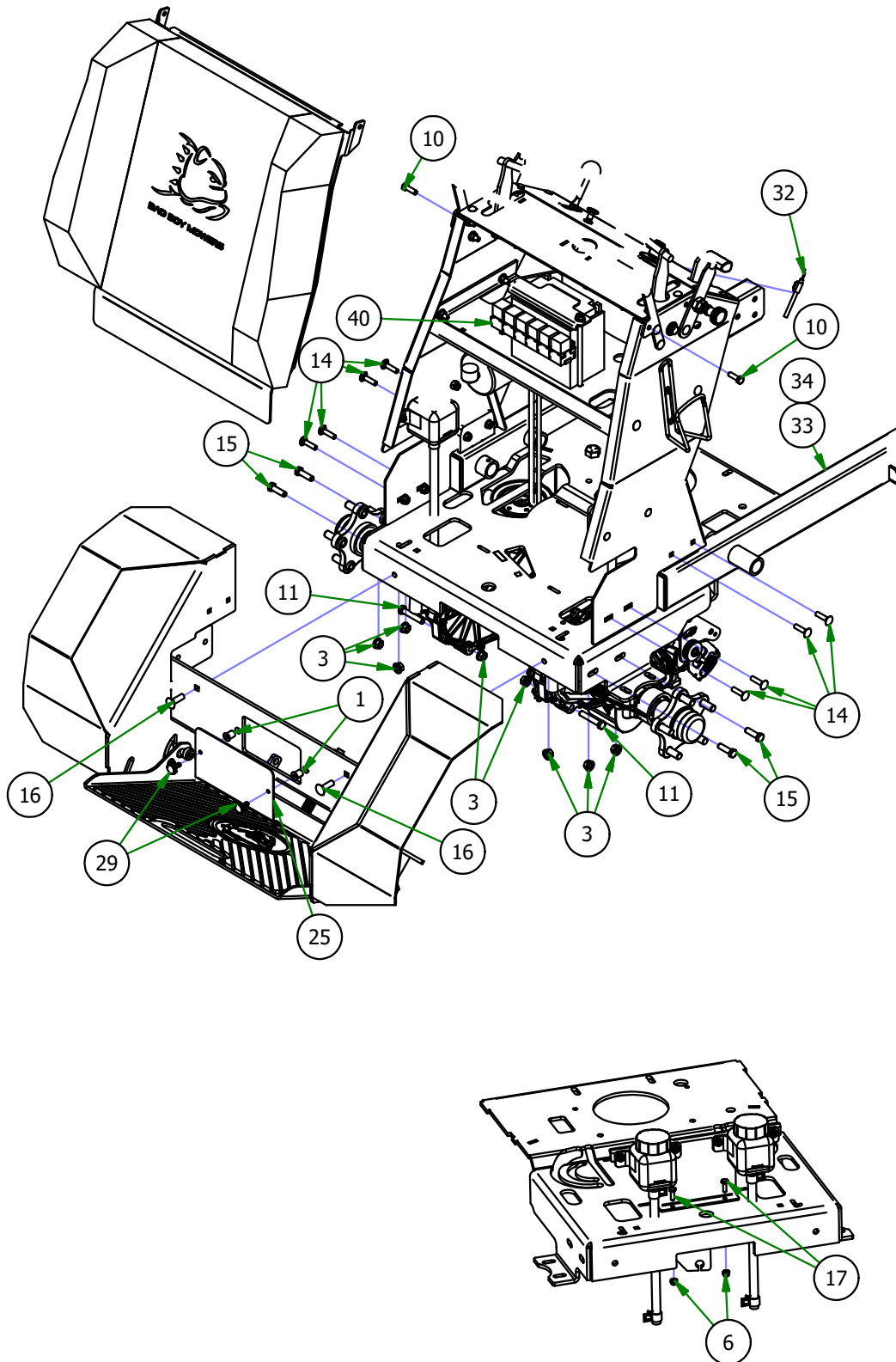
Parts List				Parts List			
ITEM	QTY	PART NUMBER	DESCRIPTION	ITEM	QTY	PART NUMBER	DESCRIPTION
1	2	013-0057-00	3326 Wellnut (1/4-20 x 5/18")	23	1	025-0025-00	MZ Deck Idler Spacer
2	2	013-5019-00	10-24 Nylon Insert Locknut Zin	24	1	026-0062-00	2019 Stand-On Platform
3	6	013-5202-00	3/8 Nylock Flange Nut	25	1	026-0063-00	2019 Stand On Access Panel
4	2	013-5300-00	1/2-13 HEX SERRATED FLANGE NUT HARD/ZINC	26	1	026-0096-00	2019 Stand On Pad Plate Weldment
5	10	013-8049-00	5/16-18 Nylon Flange Nut	27	1	026-0158-RW	2020 36" Stand-On Platform Plate-RAW
6	2	013-8073-00	1/4-20 Nylon Insert Locknut Zi	28	1	026-0159-00	2020 36 Stand On Pad Plate Weldment
7	2	013-9002-00	5/16-18 Hex Flange Nuts Zinc w	29	2	030-0015-00	1/4"-20 x 3/4" Knurled Thumb Screw
8	2	018-0059-00	Steel Shoulder Screw 1/4"-20 x 7/8" Diameter 5/16"	30	1	034-1001-00	Rider Presence Spring 9657K145
9	1	018-0069-00	1/2-13 x 6 Carriage Bolt, 2" min threads, Grade 2	31	1	039-0082-00	2019 Stand On Operator Pad Kickstand
10	7	018-2007-00	5/16-18 X 1 GR 5 Hex Bolt Zinc	32	1	055-8021-75	Outlaw Throttle Cable
11	2	018-3000-00	3/8-16 X 2 HEX CAP SCREW (GR.5) ZINC	33	1	070-5220-RW	2019 Stand On Frame Weldment
12	2	018-3001-00	5/8 X 5/8 SOCKET SHOULDER BOLT ZINC YELLOW	34	1	070-5221-RW	2020 36 Stand On Frame Weldment
13	2	018-4010-00	1/2-13 NYLON INSERT JAM LOCKNUT ZINC	35	1	071-6004-00	2019 Stand-On Platform Pad
14	8	018-4703-00	5/16-18 X 1-1/4 CARRIAGE BOLT ZINC	36	1	071-6006-00	2020 36" Stand-On Platform Pad
15	12	018-5040-00	3/8-16 X 1-1/4 HEX CAP SCREW (GR.5) ZINC	37	1	077-0002-00	safety Switch
16	2	018-5043-00	3/8-16 X 1-1/4 Carriage Bolt	38	1	081-3001-00	2019 Stand On Mat
17	2	018-8052-00	1/4-20 X 3/4 GR 5 Hex Bolts	39	1	081-3002-00	2020 36 Stand On Mat
18	2	018-8057-00	10-24 X 3/4 BUTTON SOCKET CAP SCREW 18-8 STAINLESS STEEL	40	1	086-0091-00	2019 Revolt Wiring Harness
19	2	019-6017-00	.635 ID X 1.120 OD X .140 THICK FLAT WASHER NYLON	41	2	087-0003-00	GBR-647 Miner Elastomer
20	1	019-6042-00	.360 ID X .983 OD X .120 THICK FLAT WASHER NYLON	42	1	201-1118-20	Stand On Platform Support_61 weldment
21	6	019-8044-00	5/16 USS FLAT WASHER (7/8 OD) ZINC	43	1	201-1119-20	2020 36" Stand On Platform Support weldment
22	4	019-8051-00	5/16 SPLIT LOCKWASHER ZINC	44	1	201-1120-19	2019 Stand On Platform Support weldment





BAD BOY MOWERS

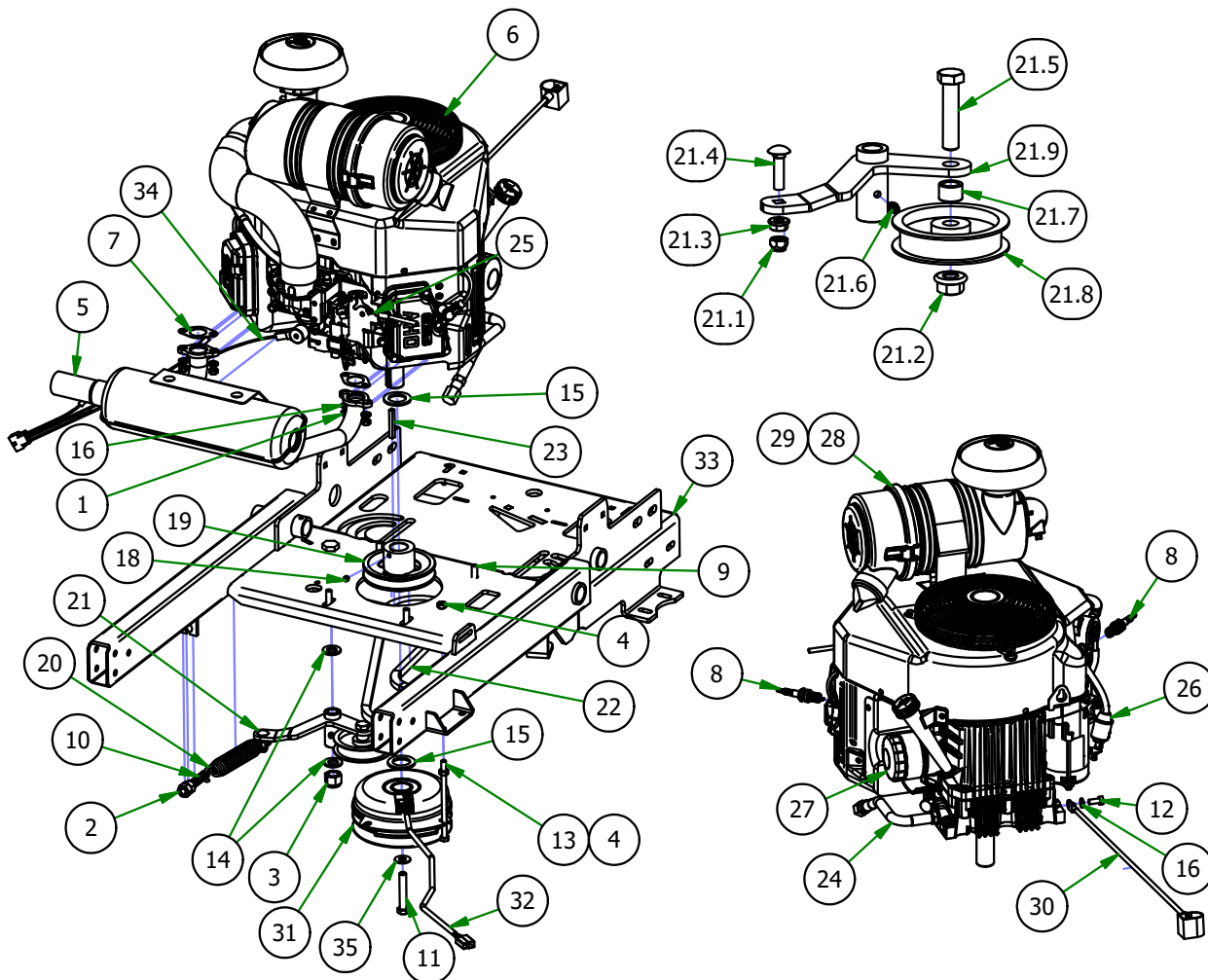
PARTS SECTION: REAR ASSEMBLY CONTINUED





PARTS SECTION: ENGINE - KAWASAKI FX-691

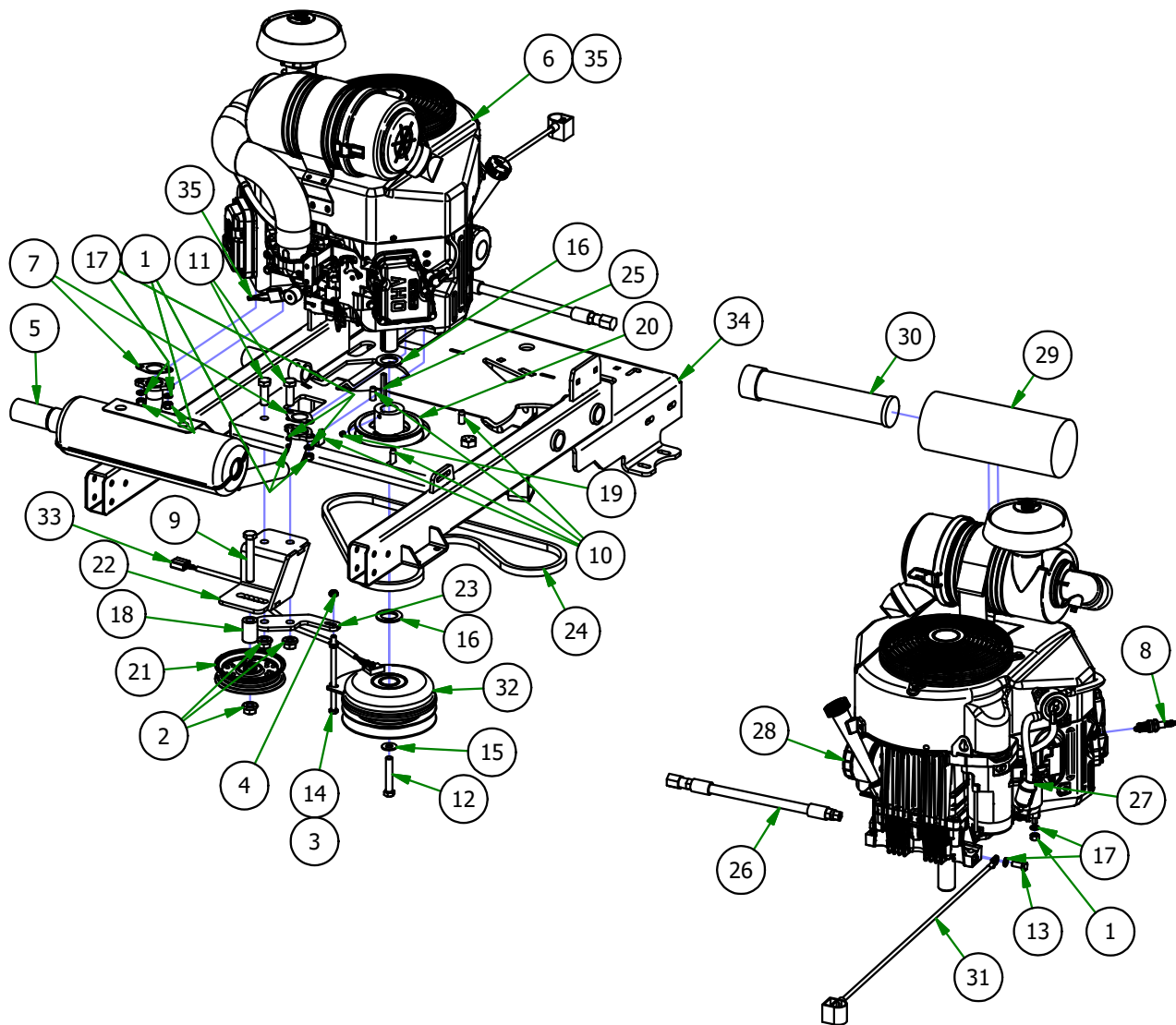
Parts List				Parts List			
ITEM	QTY	PART NUMBER	DESCRIPTION	ITEM	QTY	PART NUMBER	DESCRIPTION
1	4	013-0075-00	M8-1.25 Zinc Nut	21.2	1	013-8050-00	1/2-13 NYLON INSERT FLANGE LOCKNUT ZINC
2	2	013-7018-00	1/2" Hex Nut	21.3	1	013-9002-00	5/16-18 HEX SERRATED FLANGE NUT HARD/ZINC
3	1	013-7021-00	5/8 Std NC Nylock Nut	21.4	1	018-4703-00	5/16-18 X 1-1/4 CARRIAGE BOLT ZINC
4	2	013-8043-00	5/16" Nut	21.5	1	018-6037-00	1/2-13 X 2-1/4 HEX CAP SCREW (GR.5) ZINC
5	1	015-0691-00	FX-691	21.6	1	024-6034-00	1/4" Press in Grease Fitting
5	1	015-0692-00	Exhaust-Stand On-FX691V Kawasaki	21.7	1	025-7036-00	1/2 x 1/2 Spacer
7	2	015-2709-00	Exhaust Gasket	21.8	1	033-1876-00	3.25 Flat Idler Pulley
8	2	015-8001-00	Spark Plug - Kawasaki	21.9	1	039-6947-00	36 Pump Idler Arm Weldment
9	4	018-1075-00	3/8 x 1 1/8 bolt	22	1	041-8000-00	2019 Renegade Pump Belt
10	1	018-2004-50	All Thread-Pump Idler Tensioner	23	1	042-5020-00	1/4 x 2 Square key Stock
11	1	018-5300-00	7/16" x 2 1/2" Hex Bolt	24	1	051-5404-00	Oil drain Hose
12	1	018-5321-00	M8x1.20x20MM Hex head bolt	25	1	055-8021-75	Outlaw Throttle Cable
13	1	018-5350-00	5/16-18 x 5-1/2 GR 5 Hex Bolt	26	1	063-6000-00	Universal Inline Fuel Filter
35	1	019-5029-00	3/8 FLAT WASHER USS (1" OD) ZINC	27	1	063-8017-00	Kawasaki Oil Filter
14	2	019-6017-00	.630 ID Plastic Washer	28	1	063-8019-00	Canister Air Filter- Outer
15	2	019-6029-00	1 1/8" Flat Spacer	29	1	063-8020-00	Canister Air Filter- Inner
16	6	019-8051-00	5/16" Lock Washer	30	1	064-0030-00	24 inch Black Cable - MZ/ZT
18	1	030-0050-00	5/16 Set Screw	31	1	070-1000-00	Clutch Assembly
19	1	033-5035-00	4 3/4 Motor Pulley	32	1	070-2000-00	Clutch Pigtail
20	1	034-2020-00	Deck Idler Spring	33	1	070-5221-RW	2020 36 Stand On Frame Weldment
21	1	039-6947-20	2020 36" Stand-On Drive Belt Pulley Assembly	34	1	086-9002-00	Harness Adaptor
21.1	1	013-8047-00	5/16-18 NYL INS L/N ZC				





PARTS SECTION: ENGINE - KAWASAKI FX-730

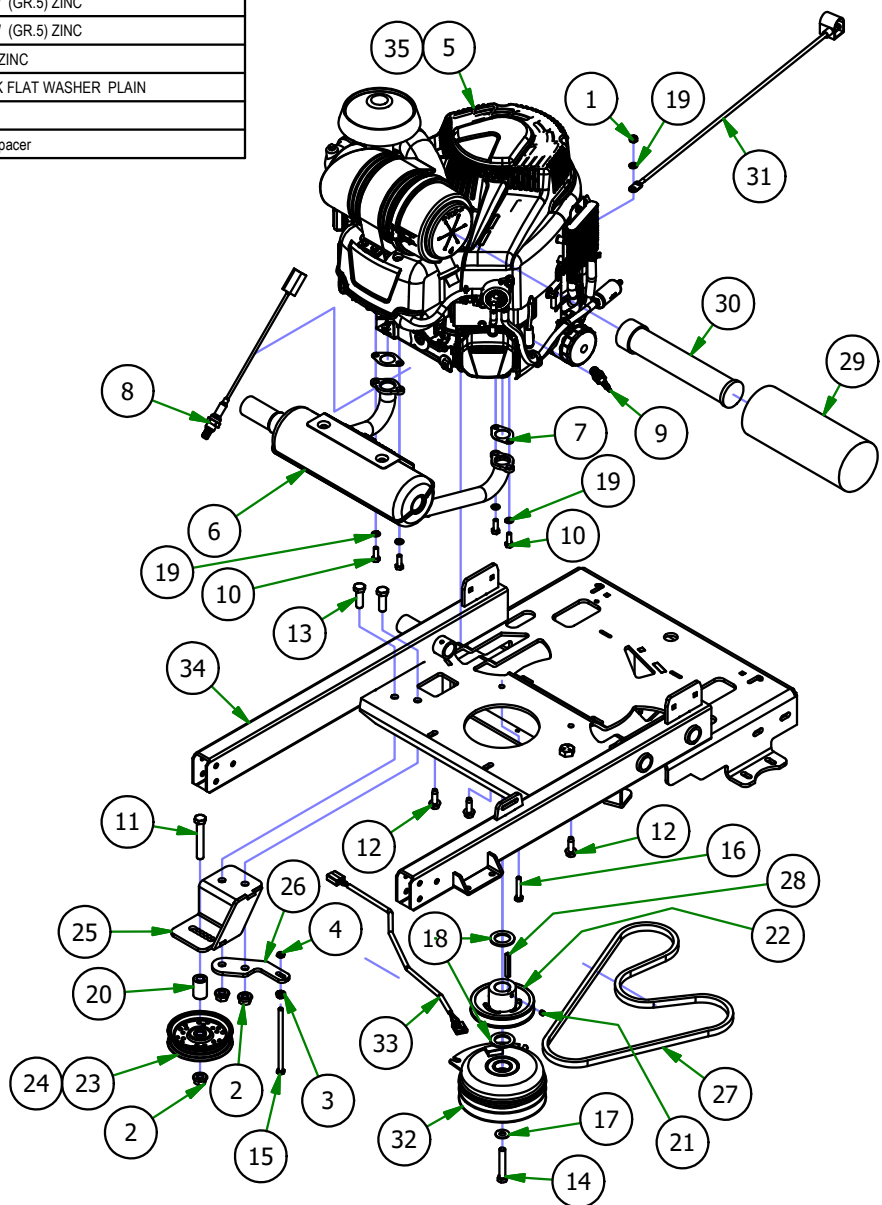
Parts List				Parts List			
ITEM	QTY	PART NUMBER	DESCRIPTION	ITEM	QTY	PART NUMBER	DESCRIPTION
1	5	013-0075-00	M8-1.25 DIN 934 HEX NUT (CL.8) ZINC	19	1	030-0050-00	5/16-24 X 1/4 SOCKET SET SCREW (CUP PT) PLAIN
2	3	013-8050-00	1/2-13 NYLON INSERT FLANGE LOCKNUT ZINC	20	1	033-5035-00	4 3/4 Motor Pulley
3	1	013-9002-00	5/16" Flange Nut	21	1	033-6001-00	4 3/4 Idler Pulley - ABFI-76
4	1	013-9005-00	5/16-18 Nylock Jam Nut 1/2 Nut	22	1	039-0089-00	Idler Pulley Bracket Weldment
5	1	015-0692-00	Exhaust-Stand On-FX691V Kawasaki	23	1	039-0119-00	2019 Stand On Clutch Stop Bracket
6	1	015-0730-00	FX-730V	24	1	041-8052-00	2019 Stand On Pump Belt (Timken# 47-2827)
7	2	015-2709-00	Exhaust Gasket	25	1	042-5020-00	1/4 x 2 Square key Stock
8	2	015-8001-00	Spark Plug - Kawasaki	26	1	051-5407-00	Kawasaki Oil Drain
9	1	018-0050-00	1/2-13 X 3-1/4 HEX CAP SCREW (GR.5) ZINC	27	1	063-6000-00	Universal Inline Fuel Filter
10	4	018-1075-00	3/8-16 X 1-1/8 HEX WASHER UNSLOT SERRATED (TRI-LOB) TRS ZINC YELLOW	28	1	063-8017-00	Oil Filter
11	2	018-5006-00	1/2-13 X 1-1/2 HEX CAP SCREW (GR.5) ZINC	29	1	063-8019-00	Canister Air Filter- Outer
12	1	018-5300-00	7/16-20 X 2-1/2 HEX CAP SCREW (GR.8) ZINC YELLOW	30	1	063-8020-00	Canister Air Filter- Inner
13	1	018-5321-00	M8-1.25 X 20MM DIN 933 HEX TAP BOLT (CL.8.8) ZINC	31	1	064-0030-00	24 inch Black Cable - MZ/ZT
14	1	018-5350-00	5/16-18 X 5-1/2 HEX CAP SCREW (GR.5) ZINC	32	1	070-1000-00	Clutch Assembly
15	1	019-5029-00	3/8 FLAT WASHER USS (1" OD) ZINC	33	1	070-2000-00	Clutch Pigtail
16	2	019-6029-00	1.140 ID X 1.750 OD X .132 THICK FLAT WASHER PLAIN	34	1	070-5220-RW	2019 Stand On Frame Weldment
17	6	019-8051-00	5/16 SPLIT LOCKWASHER ZINC	35	1	086-9002-19	Kawasaki Harness Adapter
18	1	025-5338-00	.502 ID X .750 OD X 1.500 Long Spacer				





PARTS SECTION: ENGINE - BRIGGS 28HP VANGUARD

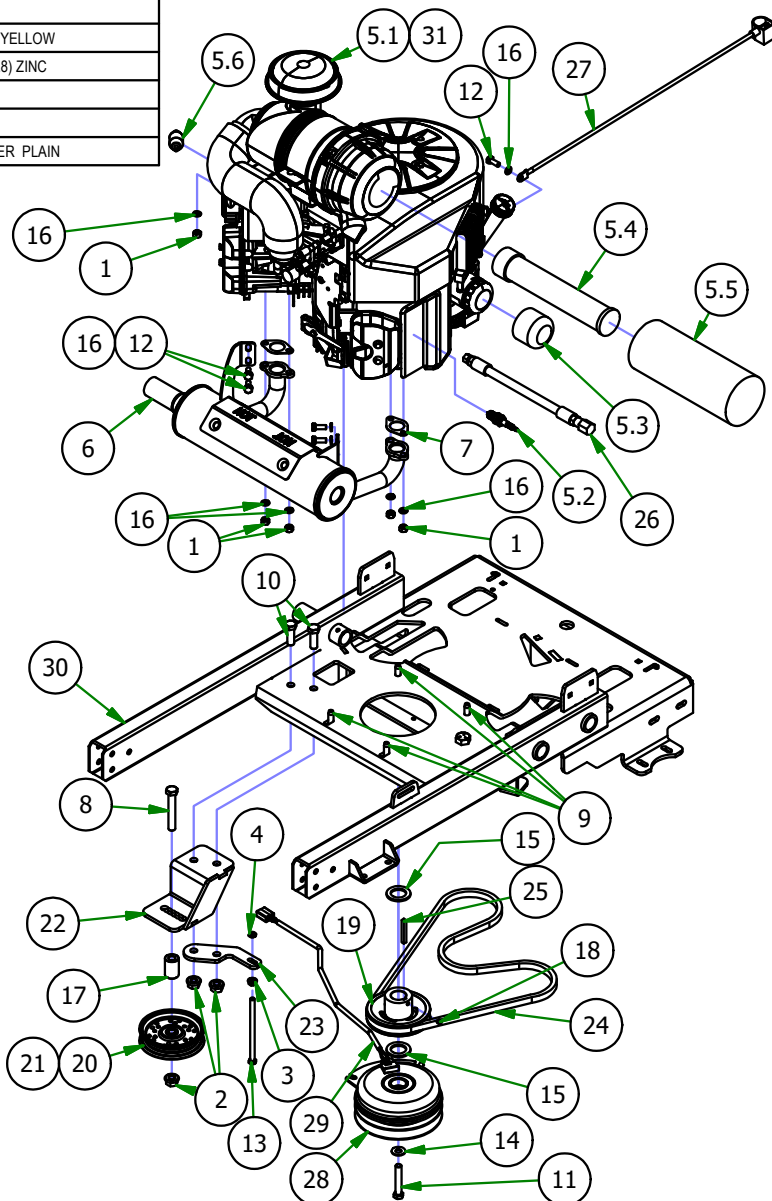
Parts List				Parts List			
ITEM	QTY	PART NUMBER	DESCRIPTION	ITEM	QTY	PART NUMBER	DESCRIPTION
1	1	013-8043-00	5/16-18 HEX NUT ZINC	21	1	030-0050-00	5/16-24 X 1/4 SOCKET SET SCREW (CUP PT) PLAIN
2	3	013-8050-00	1/2-13 NYLON INSERT FLANGE LOCKNUT ZINC	22	1	033-5035-00	4 3/4 Motor Pulley
3	1	013-9002-00	5/16-18 HEX SERRATED FLANGE NUT HARD/ZINC	23	1	033-6001-00	4 3/4 Idler Pulley - ABFI-76 (54" Deck Only)
4	1	013-9005-00	5/16-18 NYLON INSERT JAM LOCKNUT ZINC	24	1	033-7201-00	5 3/4 Idler Pulley-Don Dye (61" Deck Only)
5	1	015-0092-00	28HP Briggs Vanguard 810cc	25	1	039-0089-00	Idler Pulley Bracket Weldment
6	1	015-1021-00	Briggs 28 EFI Exhaust Revolt	26	1	039-0119-00	2019 Stand On Clutch Stop Bracket
7	2	015-2709-00	Exhaust Gasket	27	1	041-8052-00	2019 Stand On Pump Belt (Timken# 47-2827)
8	1	015-4100-00	O2 Sensor for 824EFI Kohler	28	1	042-5020-00	1/4 X 2 SQ MACHINERY KEY 1018 STL PLAIN
9	2	015-8000-00	Spark Plug	29	1	063-8019-00	Canister Air Filter- Outer
10	4	018-0017-00	Torx Bolt-Exhaust	30	1	063-8020-00	Canister Air Filter- Inner
11	1	018-0050-00	1/2-13 X 3-1/4 HEX CAP SCREW (GR.5) ZINC	31	1	064-0030-00	24 inch Black Cable - MZ/ZT
12	3	018-1075-00	3/8-16 X 1-1/8 HEX WASHER UNSLOT SERRATED (TRI-LOB) TRS ZINC YELLOW	32	1	070-1000-00	Clutch Assembly
13	2	018-5006-00	1/2-13 X 1-1/2 HEX CAP SCREW (GR.5) ZINC	33	1	070-2000-00	Clutch Pigtail
14	1	018-5300-00	7/16-20 X 2-1/2 HEX CAP SCREW (GR.8) ZINC YELLOW	34	1	070-5220-19	2019 Stand On Frame Weldment
15	1	018-5350-00	5/16-18 X 5-1/2 HEX CAP SCREW (GR.5) ZINC	35	1	086-9015-00	2020 28 Briggs EFI Pigtail
16	1	018-8059-00	5/16-18 X 1-3/4 HEX CAP SCREW (GR.5) ZINC				
17	1	019-5029-00	3/8 FLAT WASHER USS (1" OD) ZINC				
18	2	019-6029-00	1.140 ID X 1.750 OD X .132 THICK FLAT WASHER PLAIN				
19	5	019-8051-00	5/16 SPLIT LOCKWASHER ZINC				
20	1	025-5338-00	.502 ID X .750 OD X 1.500 Long Spacer				





PARTS SECTION: ENGINE - KAWASAKI FX-850

Parts List				Parts List			
ITEM	QTY	PART NUMBER	DESCRIPTION	ITEM	QTY	PART NUMBER	DESCRIPTION
1	5	013-0075-00	M8-1.25 DIN 934 HEX NUT (CL.8) ZINC	16	10	019-8051-00	5/16 SPLIT LOCKWASHER ZINC
2	3	013-8050-00	1/2-13 NYLON INSERT FLANGE LOCKNUT ZINC	17	1	025-5338-00	.502 ID X .750 OD X 1.500 Long Spacer
3	1	013-9002-00	5/16-18 HEX SERRATED FLANGE NUT HARD/ZINC	18	1	030-0050-00	5/16-24 X 1/4 SOCKET SET SCREW (CUP PT) PLAIN
4	1	013-9005-00	5/16-18 NYLON INSERT JAM LOCKNUT ZINC	19	1	033-5035-00	4 3/4 Motor Pulley
5	1	015-0031-00	Kawasaki FX850 Engine	20	1	033-6001-00	4 3/4 Idler Pulley - ABFI-76 (54" Deck Only)
5.1	1	015-0031-00	Kawasaki Engine FX-850-V-CS09R	21	1	033-7201-00	5 3/4 Idler Pulley-Don Dye (61" Deck Only)
5.2	2	015-8001-00	Spark Plug - Kawasaki	22	1	039-0089-00	Idler Pulley Bracket Weldment
5.6	1	063-6000-00	Universal Inline Fuel Filter	23	1	039-0119-00	2019 Stand On Clutch Stop Bracket
5.3	1	063-8017-00	Oil Filter	24	1	041-8052-00	2019 Stand On Pump Belt (Timken# 47-2827)
5.5	1	063-8019-00	Canister Air Filter- Outer	25	1	042-5020-00	1/4 X 2 SQ MACHINERY KEY 1018 STL PLAIN
5.4	1	063-8020-00	Canister Air Filter- Inner	26	1	051-5407-00	Kawasaki Oil Drain
6	1	015-1022-00	Revolt Kawasaki FX850 Exhaust	27	1	064-0030-00	24 inch Black Cable - MZ/IT
7	2	015-2709-00	Exhaust Gasket	28	1	070-1000-00	Clutch Assembly
8	1	018-0050-00	1/2-13 X 3-1/4 HEX CAP SCREW (GR.5) ZINC	29	1	070-2000-00	Clutch Pigtail
9	4	018-1075-00	3/8-16 X 1-1/8 HEX WASHER UNSLOT SERRATED (TRI-LOB) TRS ZINC YELLOW	30	1	070-5220-19	2019 Stand On Frame Weldment
10	2	018-5006-00	1/2-13 X 1-1/2 HEX CAP SCREW (GR.5) ZINC	31	1	086-9002-19	Kawasaki Harness Adapter
11	1	018-5300-00	7/16-20 X 2-1/2 HEX CAP SCREW (GR.8) ZINC YELLOW				
12	5	018-5321-00	M8-1.25 X 20MM DIN 933 HEX TAP BOLT (CL.8.8) ZINC				
13	1	018-5350-00	5/16-18 X 5-1/2 HEX CAP SCREW (GR.5) ZINC				
14	1	019-5029-00	3/8 FLAT WASHER USS (1" OD) ZINC				
15	2	019-6029-00	1.140 ID X 1.750 OD X .132 THICK FLAT WASHER PLAIN				





BAD BOY MOWERS

PARTS SECTION: DECALS



091-4017-00
LOWER CONTROL PANEL DECAL



091-4018-00
UPPER CONTROL PANEL DECAL

POWERED BY



091-4003-00
POWERED BY KAWASAKI DECAL



091-4031-00
DECAL

POWERED BY



091-4002-00
POWERED BY VANGUARD DECAL



091-4020-00
DECK HEIGHT DECAL



091-8001-00
DECK IMPACT PATENT DECAL



091-1020-00
HYDRAULIC CAUTION DECAL



091-3012-00
DANGER DECAL

DANGER • STOP BLADE & BACK SLOWLY IF MACHINE STOPS GOING UPHILL • NEVER MOW NEAR PEOPLE • NEVER USE WHEN UNDER THE INFLUENCE OF DRUGS OR ALCOHOL • NEVER CARRY PASSENGERS • SET PARKING BRAKE & REMOVE KEY IF LEAVING MACHINE • AVOID SLIPPERY OR STEEP AREAS • AVOID BLADE UNLESS BLADE & ENGINE ARE STOPPED • USE SAFELY, MACHINE IS NOT A TOY • KNOW LOCATION AND FUNCTION OF CONTROLS • REMOVE POTENTIAL THROWN OBJECTS • KEEP SAFETY DEVICES IN PLACE AND WORKING • LOOK BEHIND MACHINE BEFORE BACKING

• READ OWNER'S MANUAL •

NEVER MOW SIDE HILL OVER 5°

NEVER MOW UP HILL OVER 10°

NEVER MOW SLOPE OVER 15°

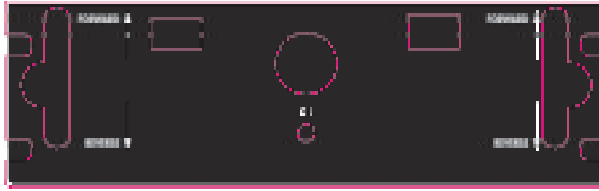
DANGER **CAUTION** Shut off engine before refueling. Never fill fuel tank indoors or when engine is hot. Wipe up all spilled gasoline before starting engine. Do not smoke while refueling. **CAUTION**

091-3150-00
WARNING DECAL



BAD BOY MOWERS

PARTS SECTION: DECALS CONTINUED



091-4057-00
36" LOWER CONTROL PANEL DECAL



091-4056-00
36" UPPER CONTROL PANEL DECAL



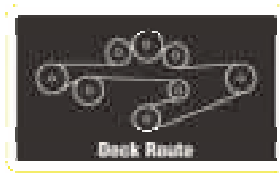
091-4054-00
852cc DECAL



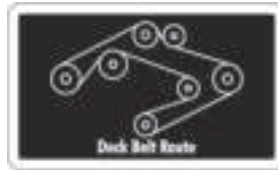
091-4053-00
810cc DECAL



091-4021-00
726cc DECAL



091-4052-00
61" REVOLT DECK
BELT ROUTE DECAL



091-4019-00
DECK BELT ROUTE DECAL



091-4022-00
PUMP BELT ROUTE DECAL



091-4058-00
36" REVOLT DECK
BELT ROUTE DECAL



091-4059-00
36" REVOLT PUMP
BELT ROUTE DECAL



091-3601-18
36" DECK DECAL



091-0903-18
48" DECK DECAL



091-0904-18
54" DECK DECAL



091-0917-18
61" DECK DECAL