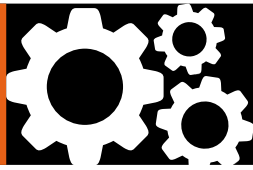


24



BAD BOY
MOWERS

PARTS MANUAL



MZ SERIES MODELS

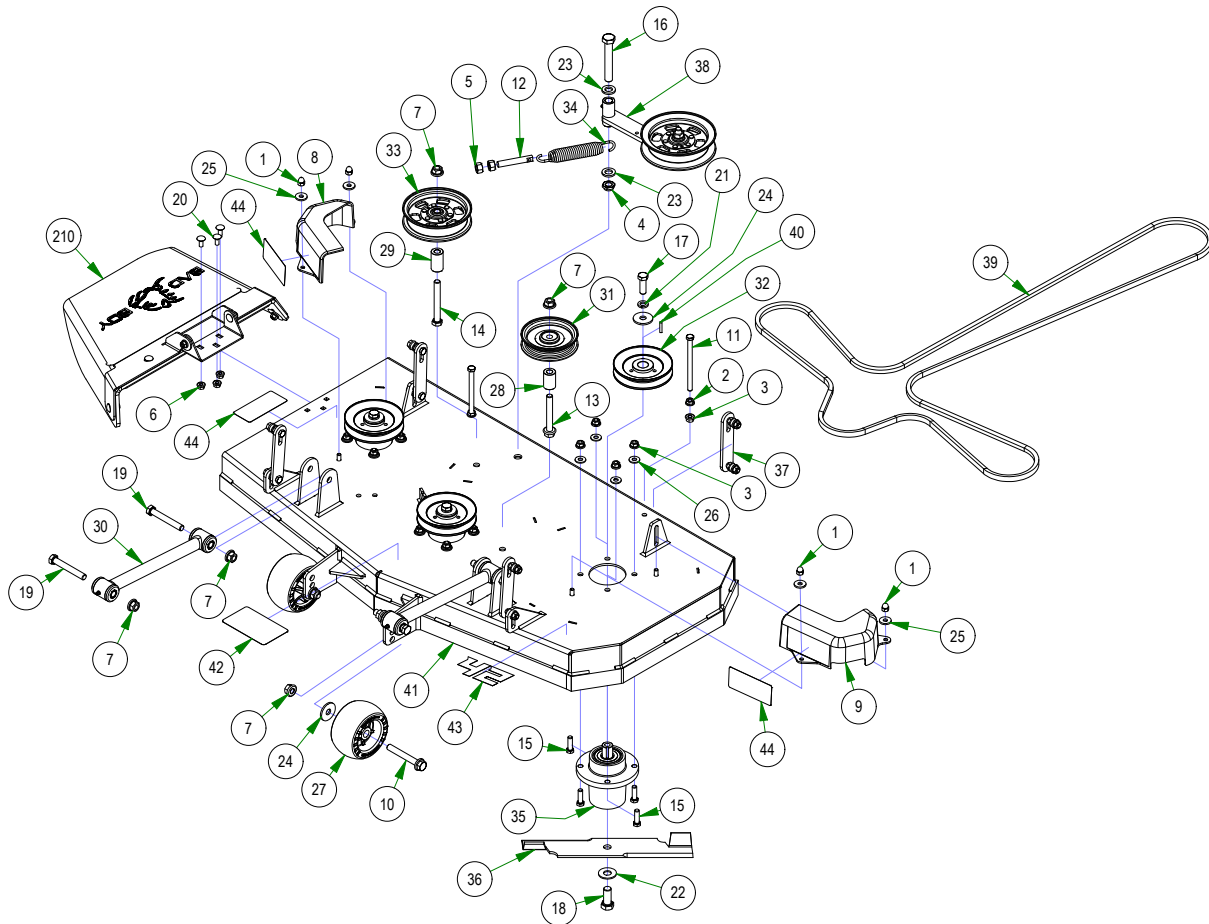
ZERO-TURN MOWER OWNER'S OPERATOR SERVICE MANUAL

For additional information, please see us at
www.badboycountry.com



PARTS SECTION: 42" DECK

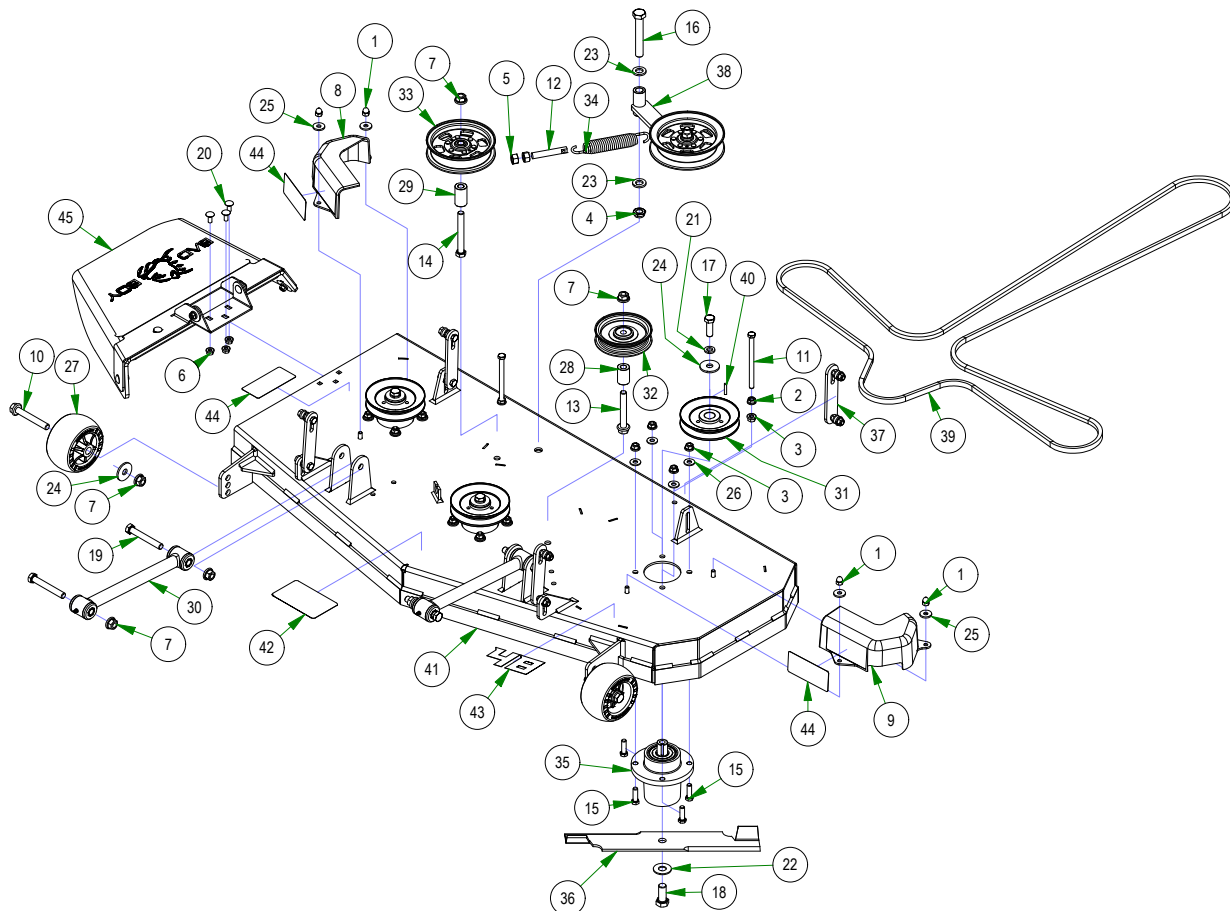
| Parts List | | | | Parts List | | | |
|------------|-----|-------------|--|------------|-----|-------------|--|
| ITEM | QTY | PART NUMBER | DESCRIPTION | ITEM | QTY | PART NUMBER | DESCRIPTION |
| 1 | 4 | 013-0004-00 | 5/16-18 ACORN NUT HIGH-CROWN ZC | 23 | 2 | 019-6017-00 | .635 ID X 1.120 OD X .140 THICK FLAT WASHER NYLON |
| 2 | 2 | 013-5201-00 | 3/8-16 HEX SERRATED FLANGE NUT HARD/ZINC | 24 | 5 | 019-6020-00 | 1/2 BELLEVILLE WASHER (1-5/8 OD X .140 THK) ZINC |
| 3 | 14 | 013-5202-00 | 3/8-16 NYLON INSERT FLANGE LOCKNUT (GR.F) ZINC | 25 | 4 | 019-6050-00 | .360 ID X .983 OD X .120 THICK FLAT WASHER NYLON BLACK |
| 4 | 1 | 013-5301-00 | 5/8-11 NYLON INSERT JAM LOCKNUT ZINC | 26 | 12 | 019-8044-00 | 5/16 USS FLAT WASHER (7/8 OD) ZINC |
| 5 | 2 | 013-7018-00 | 1/2-13 HEX NUT ZINC | 27 | 2 | 022-1000-00 | Deck Wheel |
| 6 | 3 | 013-8049-00 | 5/16-18 NYLON INSERT FLANGE LOCKNUT ZINC | 28 | 1 | 025-5338-00 | .502 ID X .750 OD X 1.500 Long Spacer |
| 7 | 8 | 013-8050-00 | 1/2-13 NYLON INSERT FLANGE LOCKNUT ZINC | 29 | 1 | 025-5339-00 | 1 3/4" Pulley Spacer |
| 8 | 1 | 014-4025-00 | pulley cover chute side | 30 | 2 | 028-0004-22 | Hybrid Turnbuckle/Deck Locator |
| 9 | 1 | 014-4026-00 | pulley cover non-chute side | 31 | 1 | 033-6001-00 | 4 3/4" Idler Pulley |
| 10 | 2 | 018-0010-00 | 1/2-13 X 90MM HEX FLANGE BOLT W/SHOULDER (GR.8) ZINC | 32 | 3 | 033-6002-00 | 42" MZ Spindle Pulley |
| 11 | 2 | 018-0065-00 | 3/8-16 X 5-1/4 HEX CAP SCREW (GR.5) ZINC | 33 | 1 | 033-7201-25 | 5-3/4 Idler Pulley |
| 12 | 1 | 018-2004-50 | All Thread | 34 | 1 | 034-2020-00 | Deck Idler Spring |
| 13 | 1 | 018-2018-00 | 1/2-13 X 3-1/2 HEX FLANGE BOLT (GR.8) ZINC | 35 | 3 | 037-2000-00 | Spindle Assembly-MZ |
| 14 | 1 | 018-5019-00 | 1/2-13 X 4 HEX CAP SCREW (GR.8) ZINC YELLOW | 36 | 3 | 038-4221-00 | 42" High Lift Fusion Blade-MZ |
| 15 | 12 | 018-5040-00 | 3/8-16 X 1-1/4 HEX CAP SCREW (GR.8) ZINC | 37 | 4 | 039-2127-17 | Deck Hanger Assembly |
| 16 | 1 | 018-5311-00 | 5/8-11 X 4 HEX CAP SCREW (GR.8) ZINC YELLOW | 38 | 1 | 039-6945-17 | 2017 MZ/ZT Deck Idler Assembly |
| 17 | 3 | 018-6019-00 | 1/2-20 X 1-1/2 HEX CAP SCREW (GR.5) ZINC | 39 | 1 | 041-4023-00 | 2023 42" Deck Belt |
| 18 | 3 | 018-6020-00 | 5/8-18 X 1-1/2 HEX CAP SCREW (GR.8) ZINC YELLOW | 40 | 3 | 042-0010-00 | 3/16 X 1 SQ MACHINERY KEY 1018 STL ZINC |
| 19 | 4 | 018-6054-00 | 1/2-13 X 3-1/2 HEX CAP SCREW (GR.5) ZINC | 41 | 1 | 060-2309-00 | 2023 42" x 4" Deck |
| 20 | 3 | 018-8062-00 | 5/16-18 x 3/4 Carriage Bolt | 42 | 1 | 091-0393-00 | 2017 MZ Magnum 48"/42" Deck Route Decal |
| 21 | 3 | 019-5007-00 | 1/2 SPLIT LOCKWASHER (GR.8) ZINC/YELLOW | 43 | 1 | 091-0502-00 | 42" Deck Decal |
| 22 | 3 | 019-5038-00 | 5/8 USS FLAT WASHER (1-3/4" OD) GR.8 ZINC YELLOW | 44 | 3 | 091-3012-00 | Danger Decal-Spindle/Discharge |





PARTS SECTION: 48" DECK

| Parts List | | | | Parts List | | | |
|------------|-----|-------------|--|------------|-----|-------------|--|
| ITEM | QTY | PART NUMBER | DESCRIPTION | ITEM | QTY | PART NUMBER | DESCRIPTION |
| 1 | 4 | 013-0004-00 | 5/16-18 ACORN NUT HIGH-CROWN ZC | 24 | 5 | 019-6020-00 | 1/2 BELLEVILLE WASHER (1-5/8 OD X .140 THK) ZINC |
| 2 | 2 | 013-5201-00 | 3/8-16 HEX SERRATED FLANGE NUT HARD/ZINC | 25 | 4 | 019-6050-00 | .360 ID X .983 OD X .120 THICK FLAT WASHER NYLON BLACK |
| 3 | 14 | 013-5202-00 | 3/8-16 NYLON INSERT FLANGE LOCKNUT (GR.F) ZINC | 26 | 12 | 019-8044-00 | 5/16 USS FLAT WASHER (7/8 OD) ZINC |
| 4 | 1 | 013-5301-00 | 5/8-11 NYLON INSERT JAM LOCKNUT ZINC | 27 | 2 | 022-1000-00 | Deck Wheel |
| 5 | 2 | 013-7018-00 | 1/2-13 HEX NUT ZINC | 28 | 1 | 025-5338-00 | .502 ID X .750 OD X 1.500 Long Spacer |
| 6 | 3 | 013-8049-00 | 5/16-18 NYLON INSERT FLANGE LOCKNUT ZINC | 29 | 1 | 025-5339-00 | 1 3/4" Pulley Spacer |
| 7 | 8 | 013-8050-00 | 1/2-13 NYLON INSERT FLANGE LOCKNUT ZINC | 30 | 2 | 028-0004-22 | Hybrid Turnbuckle/Deck Locator |
| 8 | 1 | 014-4025-00 | pulley cover chute side | 31 | 3 | 033-4820-00 | MZ Deck Pulley |
| 9 | 1 | 014-4026-00 | pulley cover non-chute side | 32 | 1 | 033-6001-00 | 4 3/4" Idler Pulley |
| 10 | 2 | 018-0010-00 | 1/2-13 X 90MM HEX FLANGE BOLT W/SHOULDER (GR.8) ZINC | 33 | 1 | 033-7201-25 | 5-3/4 Idler Pulley |
| 11 | 2 | 018-0065-00 | 3/8-16 X 5-1/4 HEX CAP SCREW (GR.5) ZINC | 34 | 1 | 034-2020-00 | Deck Idler Spring |
| 12 | 1 | 018-2004-50 | All Thread | 35 | 3 | 037-2000-00 | Spindle Assembly-MZ |
| 13 | 1 | 018-2018-00 | 1/2-13 X 3-1/2 HEX FLANGE BOLT (GR.8) ZINC | 36 | 3 | 038-4826-00 | 48" High Lift Fusion Blade-MZ |
| 14 | 1 | 018-5019-00 | 1/2-13 X 4 HEX CAP SCREW (GR.8) ZINC YELLOW | 37 | 4 | 039-2127-17 | Deck Hanger Assembly |
| 15 | 12 | 018-5040-00 | 3/8-16 X 1-1/4 HEX CAP SCREW (GR.5) ZINC | 38 | 1 | 039-6945-17 | 2017 MZ/ZT Deck Idler Assembly |
| 16 | 1 | 018-5311-00 | 5/8-11 X 4 HEX CAP SCREW (GR.8) ZINC YELLOW | 39 | 1 | 041-1470-00 | B147 Deck Belt |
| 17 | 3 | 018-6019-00 | 1/2-20 X 1-1/2 HEX CAP SCREW (GR.5) ZINC | 40 | 3 | 042-0010-00 | 3/16 X 1 SQ MACHINERY KEY 1018 STL ZINC |
| 18 | 3 | 018-6020-00 | 5/8-18 X 1-1/2 HEX CAP SCREW (GR.8) ZINC YELLOW | 41 | 1 | 060-2311-00 | 2023 48" x 4" Deck |
| 19 | 4 | 018-6054-00 | 1/2-13 X 3-1/2 HEX CAP SCREW (GR.5) ZINC | 42 | 1 | 091-0393-00 | 2017 MZ Magnum 48"/42" Deck Route Decal |
| 20 | 3 | 018-8062-00 | 5/16-18 x 3/4 Carriage Bolt | 43 | 1 | 091-0503-00 | 48" Deck Decal |
| 21 | 3 | 019-5007-00 | 1/2 SPLIT LOCKWASHER (GR.8) ZINC/YELLOW | 44 | 3 | 091-3012-00 | Danger Decal-Spindle/Discharge |
| 22 | 3 | 019-5038-00 | 5/8 USS FLAT WASHER (1-3/4" OD) GR.8 ZINC YELLOW | 45 | 1 | 210-6015-98 | MZ Discharge Chute Assembly |
| 23 | 2 | 019-6017-00 | .635 ID X 1.120 OD X .140 THICK FLAT WASHER NYLON | | | | |

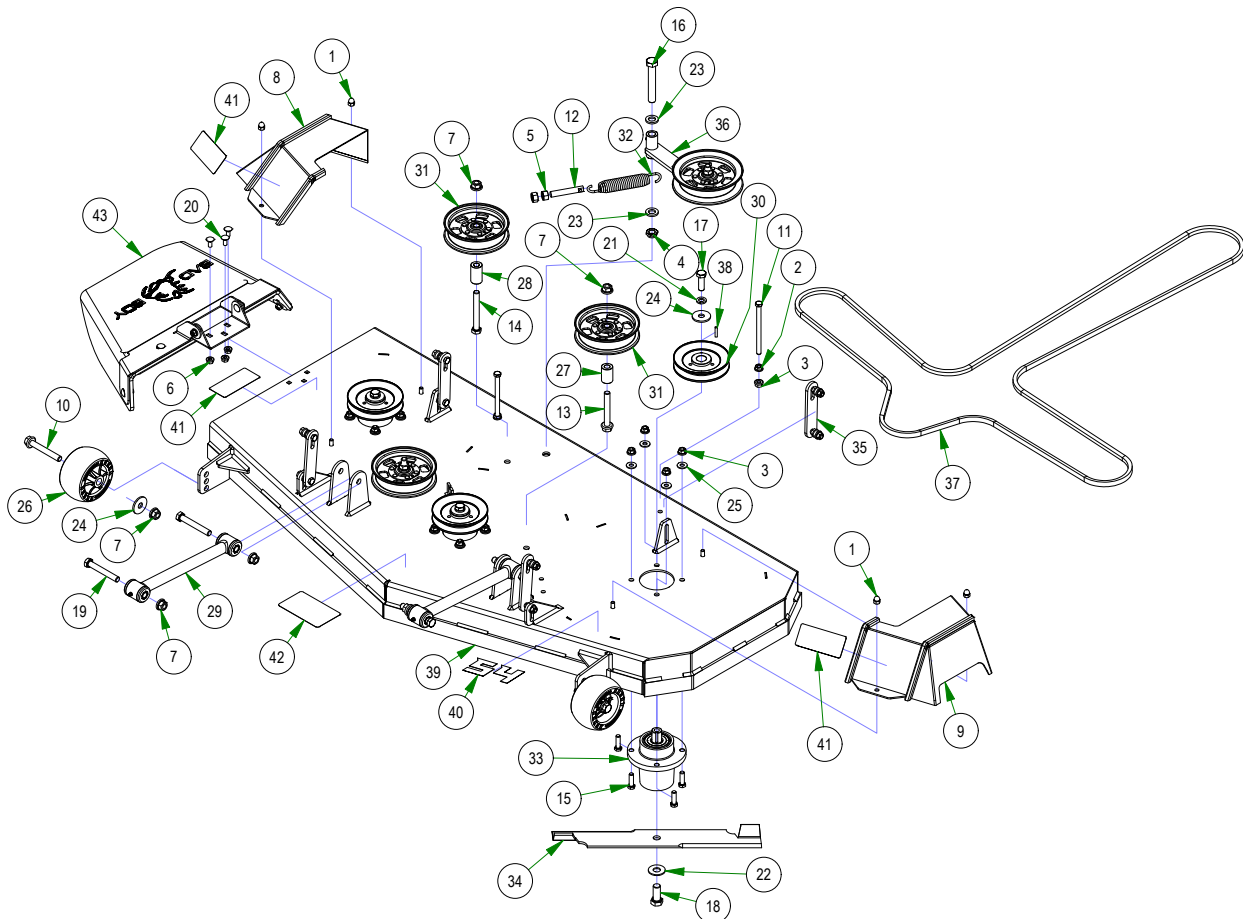




BAD BOY MOWERS

PARTS SECTION: 54" DECK

| Parts List | | | | Parts List | | | |
|------------|-----|-------------|--|------------|-----|-------------|---|
| ITEM | QTY | PART NUMBER | DESCRIPTION | ITEM | QTY | PART NUMBER | DESCRIPTION |
| 1 | 4 | 013-0004-00 | 5/16-18 ACORN NUT HIGH-CROWN ZC | 23 | 2 | 019-6017-00 | .635 ID X 1.120 OD X .140 THICK FLAT WASHER NYLON |
| 2 | 2 | 013-5201-00 | 3/8-16 HEX SERRATED FLANGE NUT HARD/ZINC | 24 | 5 | 019-6020-00 | 1/2 BELLEVILLE WASHER (1-5/8 OD X .140 THK) ZINC |
| 3 | 14 | 013-5202-00 | 3/8-16 NYLON INSERT FLANGE LOCKNUT (GR.F) ZINC | 25 | 12 | 019-8044-00 | 5/16 USS FLAT WASHER (7/8 OD) ZINC |
| 4 | 1 | 013-5301-00 | 5/8-11 NYLON INSERT JAM LOCKNUT ZINC | 26 | 2 | 022-1000-00 | Deck Wheel |
| 5 | 2 | 013-7018-00 | 1/2-13 HEX NUT ZINC | 27 | 2 | 025-5338-00 | .502 ID X .750 OD X 1.500 Long Spacer |
| 6 | 3 | 013-8049-00 | 5/16-18 NYLON INSERT FLANGE LOCKNUT ZINC | 28 | 1 | 025-5339-00 | 1 3/4" Pulley Spacer |
| 7 | 9 | 013-8050-00 | 1/2-13 NYLON INSERT FLANGE LOCKNUT ZINC | 29 | 2 | 028-0004-22 | Hybrid Turnbuckle/Deck Locator |
| 8 | 1 | 014-5020-00 | 2021 Maverick 54"/60" RH Pulley Cover | 30 | 3 | 033-4890-00 | 54 MZ Spindle Pulley |
| 9 | 1 | 014-5021-00 | 2021 Maverick 54"/60" LH Pulley Cover | 31 | 3 | 033-7201-25 | 5-3/4 Idler Pulley |
| 10 | 2 | 018-0010-00 | 1/2-13 X 90MM HEX FLANGE BOLT W/SHOULDER (GR.8) ZINC | 32 | 1 | 034-2020-00 | Deck Idler Spring |
| 11 | 2 | 018-0065-00 | 3/8-16 X 5-1/4 HEX CAP SCREW (GR.5) ZINC | 33 | 3 | 037-2000-00 | Spindle Assembly-MZ |
| 12 | 1 | 018-2004-50 | All Thread | 34 | 3 | 038-0005-00 | 54" MZ Fusion Blade |
| 13 | 2 | 018-2018-00 | 1/2-13 X 3-1/2 HEX FLANGE BOLT (GR.8) ZINC | 35 | 4 | 039-2127-17 | Deck Hanger Assembly |
| 14 | 1 | 018-5019-00 | 1/2-13 X 4 HEX CAP SCREW (GR.8) ZINC YELLOW | 36 | 1 | 039-6945-17 | 2017 MZ/ZT Deck Idler Assembly |
| 15 | 12 | 018-5040-00 | 3/8-16 X 1-1/4 HEX CAP SCREW (GR.5) ZINC | 37 | 1 | 041-1560-00 | B155.75 Deck Belt |
| 16 | 1 | 018-5311-00 | 5/8-11 X 4 HEX CAP SCREW (GR.8) ZINC YELLOW | 38 | 3 | 042-0010-00 | 3/16 X 1 SQ MACHINERY KEY 1018 STL ZINC |
| 17 | 3 | 018-6019-00 | 1/2-20 X 1-1/2 HEX CAP SCREW (GR.5) ZINC | 39 | 1 | 060-2313-00 | 2023 54" x 4" Deck |
| 18 | 3 | 018-6020-00 | 5/8-18 X 1-1/2 HEX CAP SCREW (GR.8) ZINC YELLOW | 40 | 1 | 091-0504-00 | 54" Deck Decal |
| 19 | 4 | 018-6054-00 | 1/2-13 X 3-1/2 HEX CAP SCREW (GR.5) ZINC | 41 | 3 | 091-3012-00 | Danger Decal-Spindle/Discharge |
| 20 | 3 | 018-8062-00 | 5/16-18 x 3/4 Carriage Bolt | 42 | 1 | 091-3309-00 | Deck Belt Route Decal |
| 21 | 3 | 019-5007-00 | 1/2 SPLIT LOCKWASHER (GR.8) ZINC/YELLOW | 43 | 1 | 210-6015-98 | MZ Discharge Chute Assembly |
| 22 | 3 | 019-5038-00 | 5/8 USS FLAT WASHER (1-3/4" OD) GR.8 ZINC YELLOW | | | | |

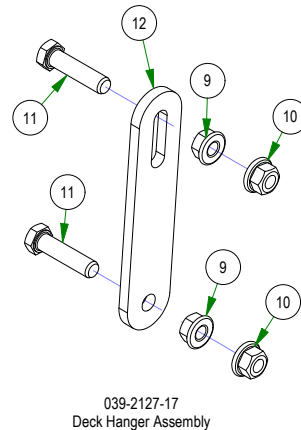
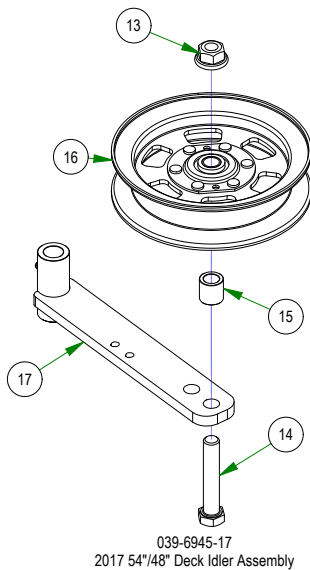
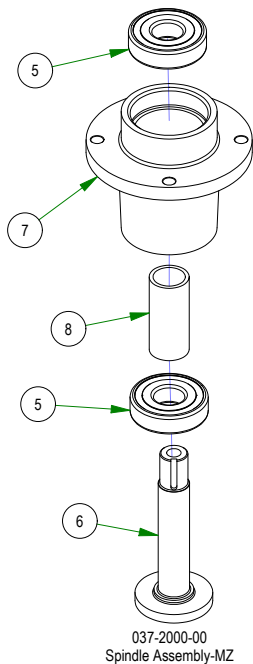
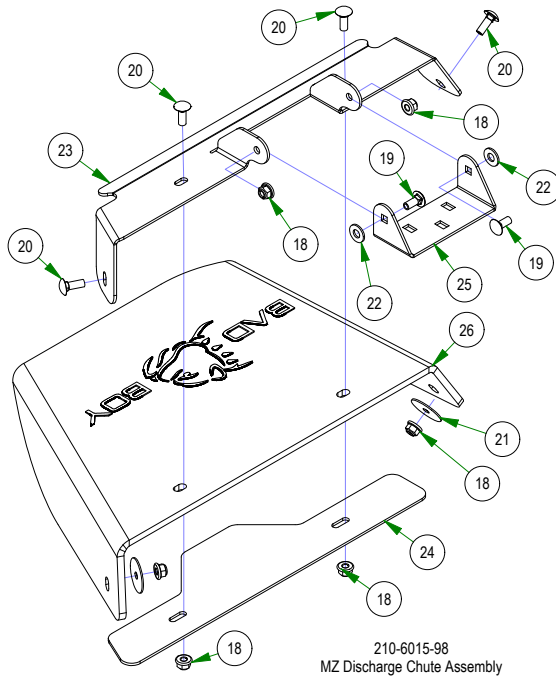
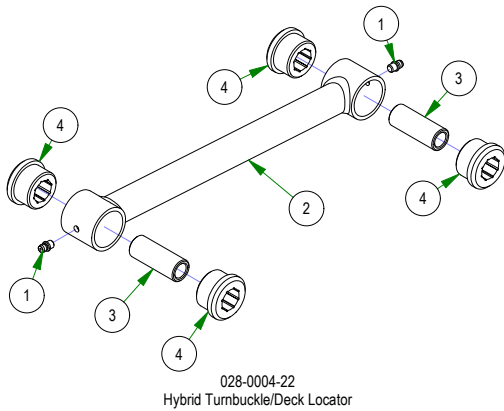




BAD BOY MOWERS

PARTS SECTION: DECK SUB ASSEMBLIES

| Parts List | | | | Parts List | | | |
|------------|-----|-------------|--|------------|-----|-------------|--|
| ITEM | QTY | PART NUMBER | DESCRIPTION | ITEM | QTY | PART NUMBER | DESCRIPTION |
| 1 | 2 | 024-0001-00 | 1/4-28 Grease Fitting | 14 | 1 | 018-6036-00 | 1/2-13 X 2-3/4 HEX CAP SCREW (GR.5) ZINC |
| 2 | 1 | 028-0004-03 | 2022 Isolator Turnbuckle Body | 15 | 1 | 025-5203-00 | Spacer 3/4 OD x 1/2 ID x 3/4 Length |
| 3 | 2 | 048-6004-00 | 2018 Maverick Bushing Sleeve | 16 | 1 | 033-8050-00 | 5" Idler Pulley |
| 4 | 4 | 048-6005-00 | 2018 Maverick Bushing | 17 | 1 | 039-6945-00 | Deck Idler |
| 5 | 2 | 037-6024-00 | Spindle Bearing | 18 | 6 | 013-8049-00 | 5/16" Nylon Flange Nut |
| 6 | 1 | 037-6025-00 | Spindle Shaft | 19 | 2 | 018-8062-00 | 5/16-18 x 3/4 Carriage Bolt |
| 7 | 1 | 037-6027-00 | Spindle Housing | 20 | 4 | 018-8066-00 | 5/16-18 X 7/8 CARRIAGE BOLT ZINC |
| 8 | 1 | 037-6028-00 | Spindle Spacer-Component | 21 | 2 | 019-0002-00 | 5/16 Fender Washer |
| 9 | 2 | 013-5201-00 | 3/8-16 HEX SERRATED FLANGE NUT HARD/ZINC | 22 | 2 | 019-6042-00 | .360 ID Plastic Washer |
| 10 | 2 | 013-5202-00 | 3/8-16 NYLON INSERT FLANGE LOCKNUT (GR.F) ZINC | 23 | 1 | 039-4891-00 | Discharge Chute Bracket 48 MZ (Upper) |
| 11 | 2 | 018-6012-00 | 3/8-16 X 1-1/2 HEX CAP SCREW (GR.5) ZINC | 24 | 1 | 039-4892-00 | 2017 MZ Discharge Chute Bracket-Lower |
| 12 | 1 | 039-2127-00 | 2017 MZ/ZT Deck Hanger | 25 | 1 | 206-6020-00 | Chute Hanger 48 MZ |
| 13 | 1 | 013-8050-00 | 1/2-13 NYLON INSERT FLANGE LOCKNUT ZINC | 26 | 1 | 210-6014-00 | Rubber Discharge Chute MZ (Component) |

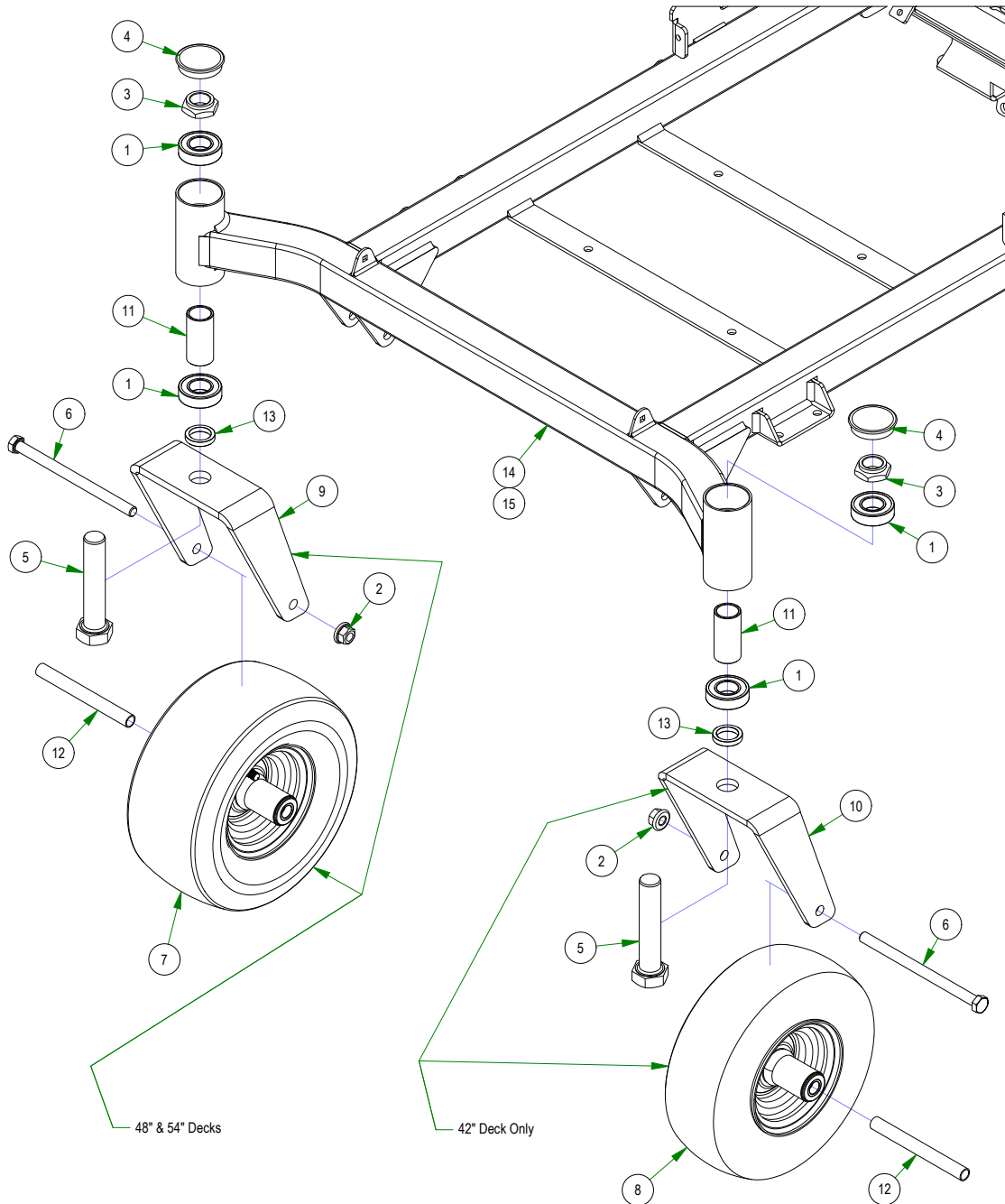




BAD BOY MOWERS

PARTS SECTION: FRONT FORK

| Parts List | | | | Parts List | | | |
|------------|-----|-------------|--|------------|-----|-------------|--|
| ITEM | QTY | PART NUMBER | DESCRIPTION | ITEM | QTY | PART NUMBER | DESCRIPTION |
| 1 | 4 | 010-1050-00 | 1641 BEARING W/2 CONTACT RUBBER SEALS | 9 | 2 | 023-0002-00 | 2017 MZ Front fork |
| 2 | 2 | 013-8050-00 | 1/2-13 NYLON INSERT FLANGE LOCKNUT ZINC | 10 | 2 | 023-0005-00 | MZ Front Fork (42" ONLY) |
| 3 | 2 | 013-9004-00 | 1"-14 NYLON INSERT JAM LOCKNUT ZINC | 11 | 2 | 025-0003-00 | 2016 Front Bearing Spacer |
| 4 | 2 | 014-2025-00 | 2017 Bearing Cover | 12 | 2 | 025-0008-00 | Front Wheel Spanner |
| 5 | 2 | 018-0005-00 | 1"-14 X 5 HEX CAP SCREW (GR.8) ZINC YELLOW | 13 | 2 | 058-1000-00 | 1.02 ID X 1.38 OD X .250 THK SPACER ZINC |
| 6 | 2 | 018-0035-00 | 1/2-13 X 7-1/2 HEX CAP SCREW (GR.5) ZINC | 14 | 1 | 070-2400-00 | 2024 MZ 42-48 Frame |
| 7 | 2 | 022-8049-22 | 11x6.00-5 Front Assembly - Black Wheel | 15 | 1 | 070-2401-00 | 2024 MZ-Avenger 54-60 Frame |
| 8 | 2 | 022-8051-22 | 11 x 4.00 - 5 Front Tire Assembly (Black) | | | | |

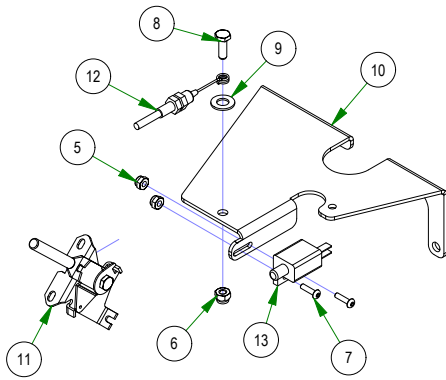




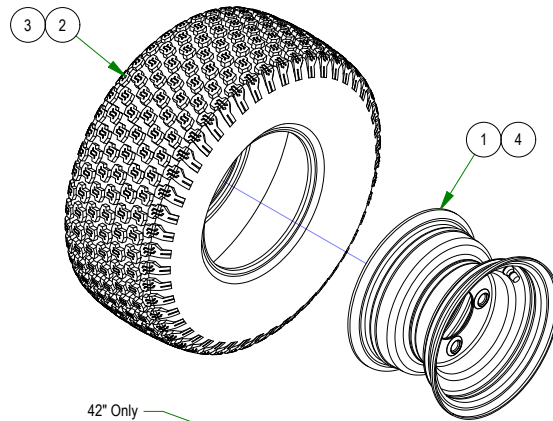
BAD BOY MOWERS

PARTS SECTION: TRANSAXLES SUB ASSEMBLIES

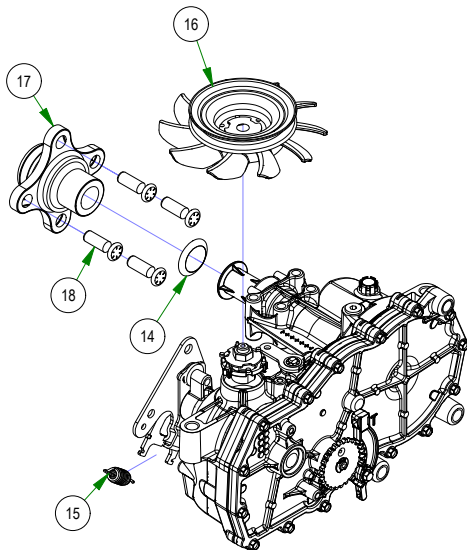
| Parts List | | | | Parts List | | | |
|------------|-----|-------------|--|------------|-----|-------------|---|
| ITEM | QTY | PART NUMBER | DESCRIPTION | ITEM | QTY | PART NUMBER | DESCRIPTION |
| 1 | 1 | 022-2051-22 | Rim for 022-2050-22 | 10 | 1 | 039-0035-00 | 2017 MZ Brake Lock Bracket |
| 2 | 1 | 022-2052-22 | Tire for 022-2050-22 | 11 | 1 | 055-2012-00 | Universal Throttle Head - 2012 |
| 3 | 1 | 022-8025-00 | 18x9.50-8 Rear Tire Only 48 MZ | 12 | 1 | 064-8057-17 | MZ Brake Cable |
| 4 | 1 | 022-8026-22 | Black Rear Wheel 48in MZ | 13 | 1 | 077-8073-00 | Safety Switch |
| 5 | 2 | 013-5019-00 | #10 Nylock Nut | 14 | 1 | 015-8003-00 | MZ Seal & Retainer Kit |
| 6 | 1 | 013-8073-00 | 1/4-20 NYLON INSERT LOCKNUT ZINC | 15 | 1 | 034-9080-00 | Gold Transaxle Spring |
| 7 | 2 | 018-5200-00 | 10-24 X 5/8 BS Button Head Bolt | 16 | 1 | 050-2075-00 | Fan/Pulley Kit for ZT / 2017 MZ |
| 8 | 1 | 018-8052-00 | 1/4-20 X 3/4 HEX CAP SCREW (GR.5) ZINC | 17 | 1 | 050-2078-00 | MZ 4 Bolt Hub Kit |
| 9 | 1 | 019-2003-00 | .390 ID X .750 OD X .062 THK FLAT WASHER NYLON | 18 | 4 | 050-2012-00 | Transaxle Wheel Studs/ Drum Brake Studs |



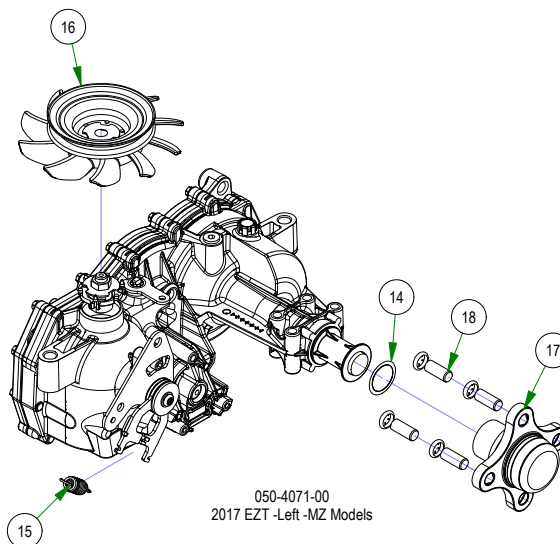
039-0035-22
MZ Brake Plate Assembly w/ Brake Cable



42" Only
022-2050-22
18X8.50-8 w/8" Tire & Wheel (Black)
&
022-8050-22
18x9.50-8 Tire and Wheel - Black Wheel



050-4070-00
2017 EZT -Right -MZ Models

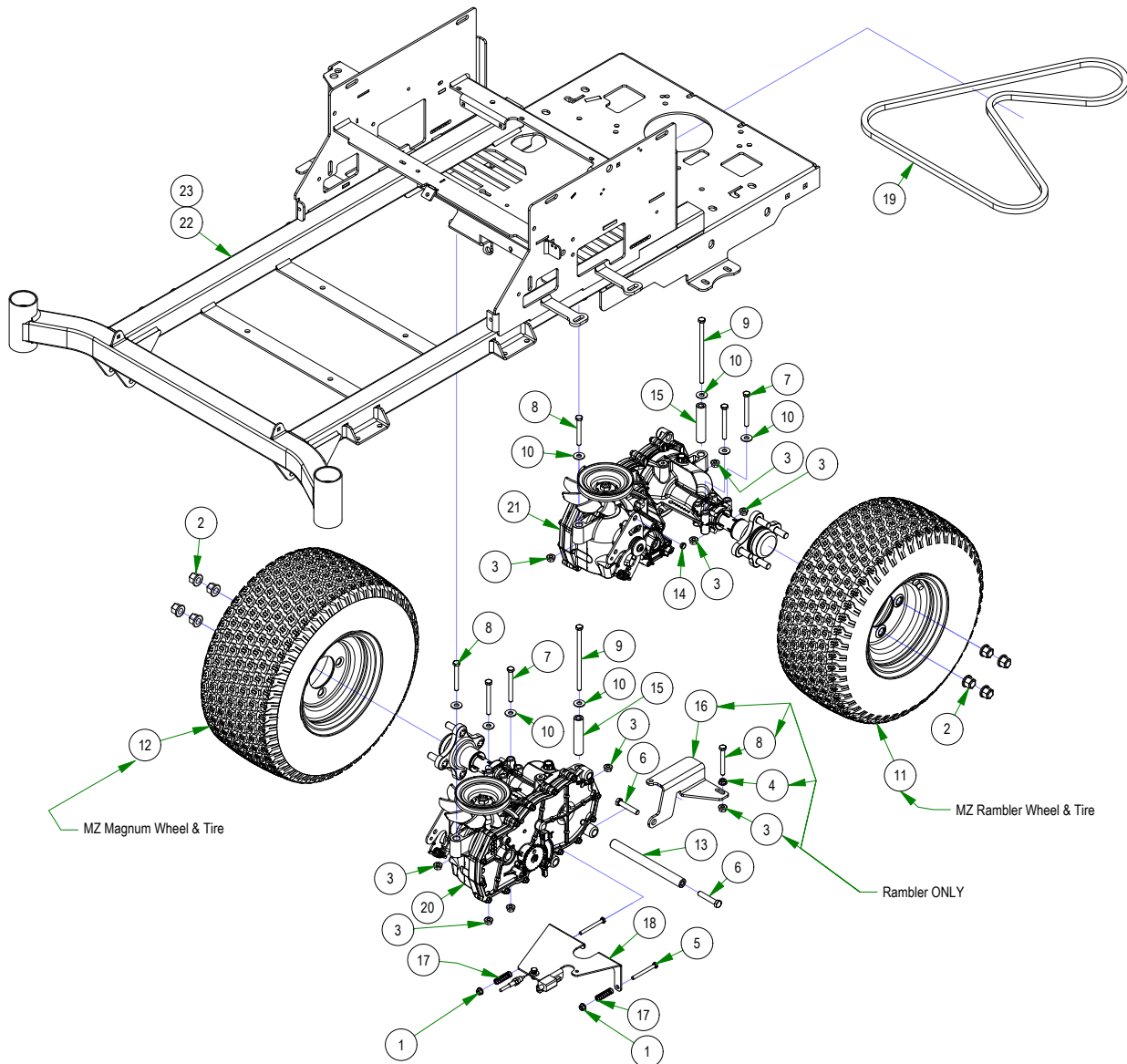


050-4071-00
2017 EZT -Left -MZ Models



PARTS SECTION: TRANSAXLES

| Parts List | | | | Parts List | | | |
|------------|-----|-------------|---|------------|-----|-------------|--|
| ITEM | QTY | PART NUMBER | DESCRIPTION | ITEM | QTY | PART NUMBER | DESCRIPTION |
| 1 | 2 | 013-2050-00 | 1/4-20 NYL INSERT FLANGE LOCKNUT ZINC | 13 | 1 | 025-0016-00 | 2017 Transaxle Spacer-MZ |
| 2 | 8 | 013-3000-00 | Acorn Lug Nut | 14 | 2 | 025-0036-00 | Drive Arm Transaxle Spacer |
| 3 | 8 | 013-8049-00 | 5/16-18 NYLON INSERT FLANGE LOCKNUT ZINC | 15 | 2 | 025-0070-00 | 2017 Transaxle Spacer |
| 4 | 3 | 013-9002-00 | 5/16-18 HEX SERRATED FLANGE NUT HARD/ZINC | 16 | 1 | 026-0368-00 | Ogura Clutch Belt Retainer |
| 5 | 2 | 018-1076-00 | 1/4-20 X 2-1/2 HEX CAP SCREW (GR.2) ZINC | 17 | 2 | 034-3050-00 | Brake Spring |
| 6 | 2 | 018-3000-00 | 3/8-16 X 2 HEX CAP SCREW (GR.5) ZINC | 18 | 1 | 039-0035-22 | MZ Brake Plate Assembly w/ Brake Cable |
| 7 | 4 | 018-4701-00 | 5/16-18 X 3 HEX CAP SCREW (GR.5) ZINC | 19 | 1 | 041-6400-00 | Pump Belt |
| 8 | 3 | 018-5344-00 | 5/16-18 X 2-1/2 HEX CAP SCREW (GR.5) ZINC | 20 | 1 | 050-4070-00 | 2017 EZT -Right -MZ Models |
| 9 | 2 | 018-5355-00 | 5/16-18 X 6 HEX CAP SCREW (GR.5) ZINC | 21 | 1 | 050-4071-00 | 2017 EZT -Left -MZ Models |
| 10 | 8 | 019-8044-00 | 5/16 USS FLAT WASHER (7/8 OD) ZINC | 22 | 1 | 070-2400-00 | 2024 MZ 42-48 Frame |
| 11 | 2 | 022-2050-22 | 18X8.50-8 w/8" Tire & Wheel (Black) | 23 | 1 | 070-2401-00 | 2024 MZ-Avenger 54-60 Frame |
| 12 | 2 | 022-8050-22 | 18x9.50-8 Tire and Wheel - Black Wheel | | | | |

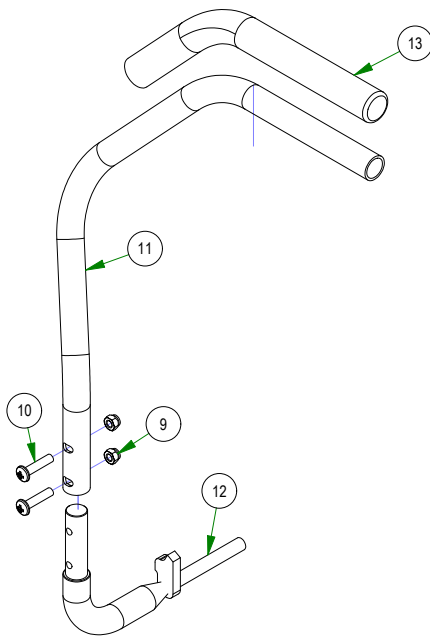




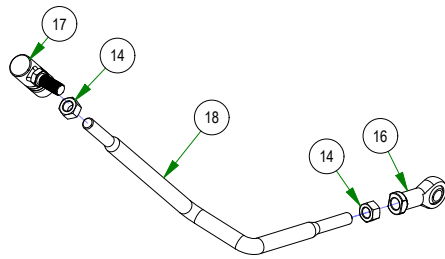
BAD BOY MOWERS

PARTS SECTION: DRIVE ARM SUB ASSEMBLIES

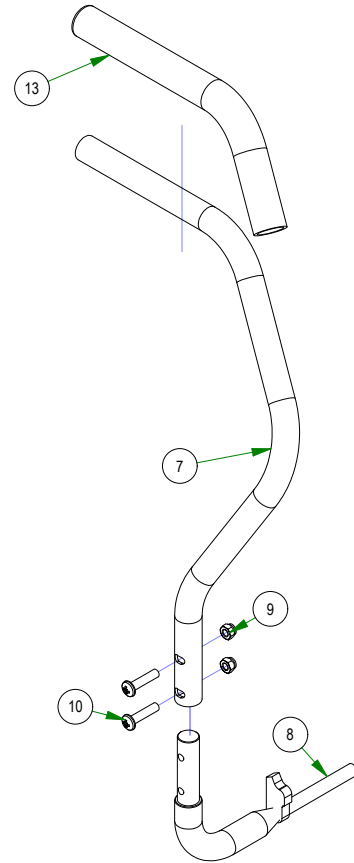
| Parts List | | | | Parts List | | | |
|------------|-----|-------------|---|------------|-----|-------------|--|
| ITEM | QTY | PART NUMBER | DESCRIPTION | ITEM | QTY | PART NUMBER | DESCRIPTION |
| 1 | 1 | 031-0053-00 | 2021 Drive Actuator RH Weldment | 10 | 2 | 018-2020-18 | 5/16-18 x 1 3/8" Futton Head Torx Drive Bolt |
| 2 | 1 | 013-8043-00 | 5/16-18 HEX NUT ZINC | 11 | 1 | 031-8851-02 | ZT Direction Steering Arm (Right) |
| 3 | 1 | 018-8063-00 | 5/16-18 X 3/4 HEX CAP SCREW (GR.5) ZINC | 12 | 1 | 031-9025-70 | Steering Arm Elbow (Right) |
| 4 | 1 | 024-6034-00 | 1/4" Press in Grease Fitting | 13 | 1 | 069-4010-00 | Rubber Grip |
| 5 | 2 | 031-0032-00 | 2019 Drive Arm Bushing | 14 | 2 | 013-6051-00 | 3/8" Fine Threaded Jam Nut |
| 6 | 1 | 031-0054-00 | 2021 Drive Actuator LH Weldment | 15 | 1 | 035-5450-01 | Push Rod - Right (Rod Only) |
| 7 | 1 | 031-8850-02 | ZT Direction Steering Arm (Left) | 16 | 1 | 048-3000-00 | Spherical Rod End - Outlaw |
| 8 | 1 | 031-9020-70 | Steering Arm Elbow (Left) | 17 | 1 | 099-2009-00 | Quick Release Ball Joint |
| 9 | 2 | 013-8047-00 | 5/16-18 NYL INS L/N ZC | 18 | 1 | 035-5451-01 | Push Rod LH (Rod Only) |



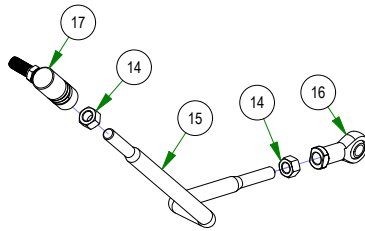
031-8851-70
ZT Steering Arm - Right



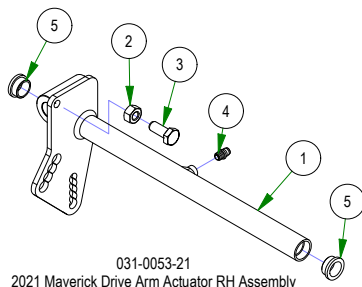
035-5451-00
Push Rod - Left



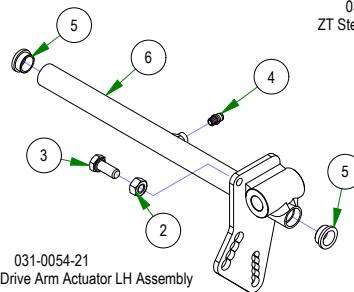
031-8850-70
ZT Steering Arm - Left



035-5450-00
Push Rod - Right



031-0053-21
2021 Maverick Drive Arm Actuator RH Assembly

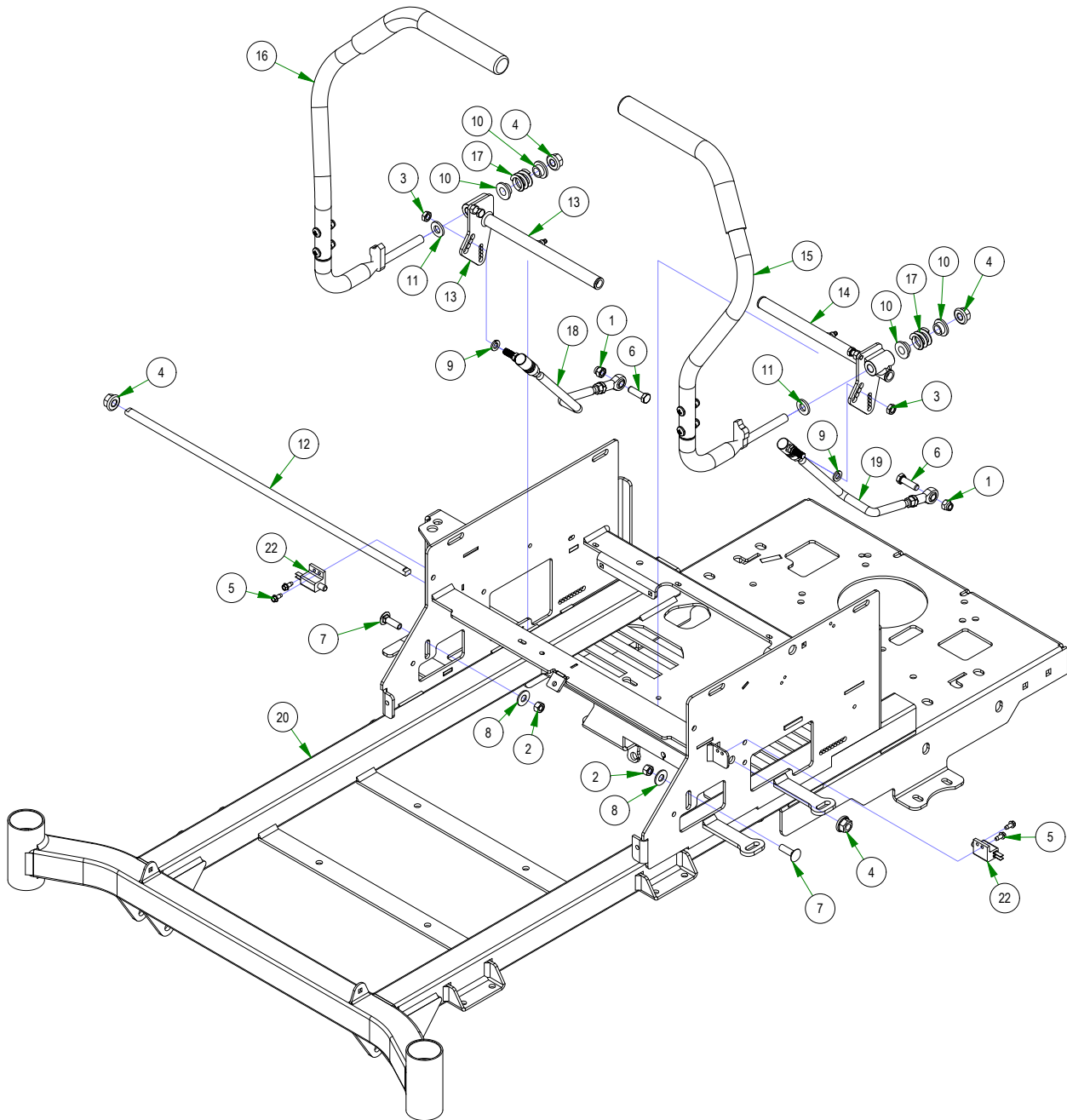


031-0054-21
2021 Maverick Drive Arm Actuator LH Assembly



BAD BOY MOWERS

PARTS SECTION: DRIVE ARMS





BAD BOY MOWERS

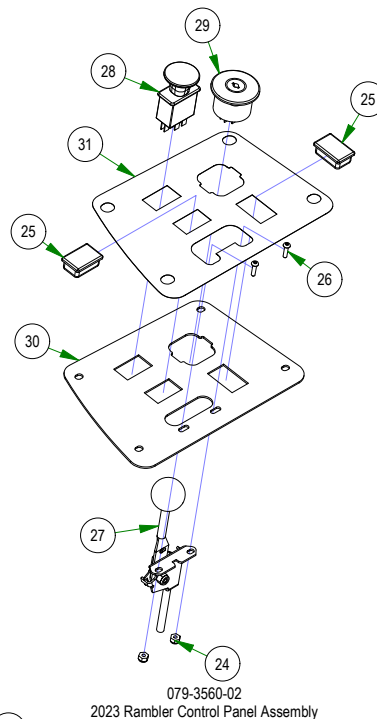
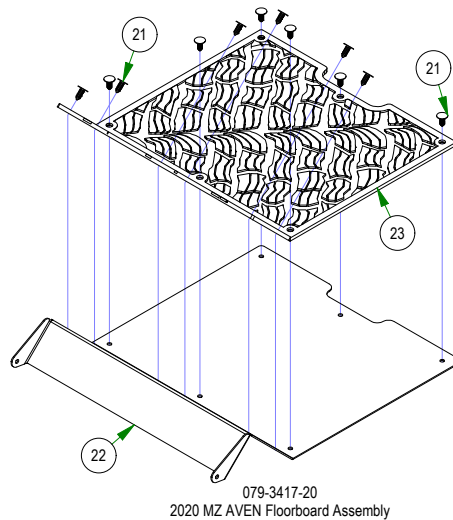
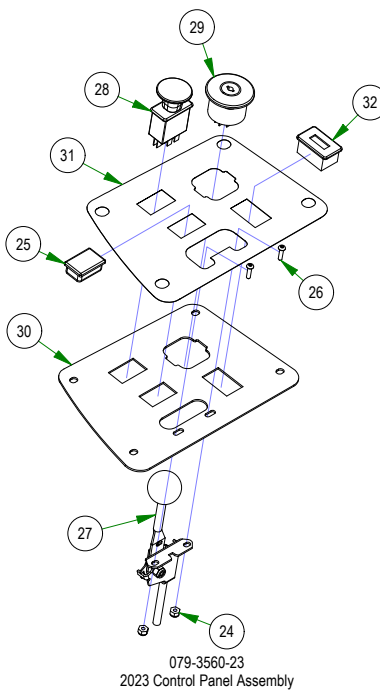
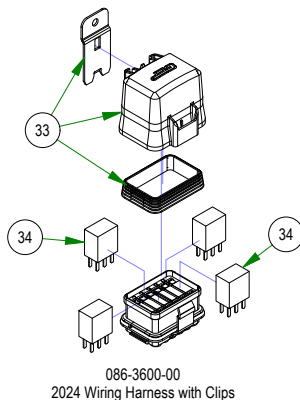
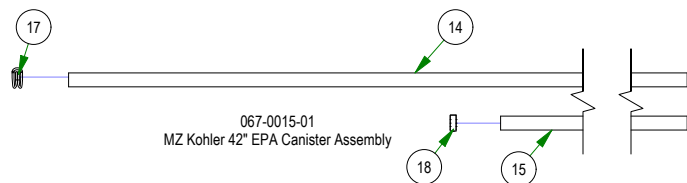
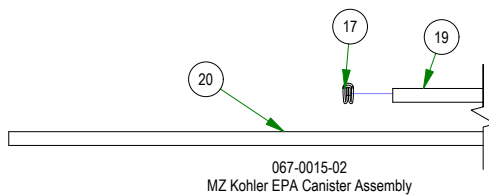
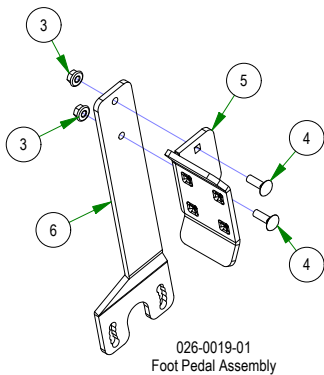
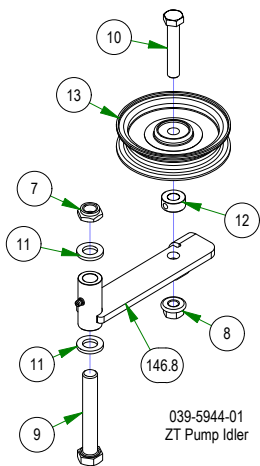
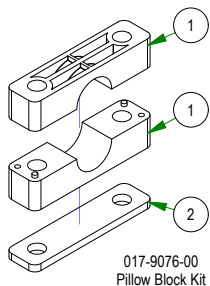
PARTS SECTION: DRIVE ARMS

| Parts List | | | | Parts List | | | |
|------------|-----|-------------|---|------------|-----|-------------|--|
| ITEM | QTY | PART NUMBER | DESCRIPTION | ITEM | QTY | PART NUMBER | DESCRIPTION |
| 1 | 2 | 013-5041-00 | 3/8-16 NYLON INSERT LOCKNUT ZINC | 12 | 1 | 028-0049-00 | 2021 Maverick Steering Actuator Rod |
| 2 | 2 | 013-6014-00 | 3/8-16 HEX NUT ZINC | 13 | 1 | 031-0053-21 | 2021 Maverick Drive Arm Actuator RH Assembly |
| 3 | 2 | 013-6051-00 | 3/8-24 HEX NUT ZINC YELLOW | 14 | 1 | 031-0054-21 | 2021 Maverick Drive Arm Actuator LH Assembly |
| 4 | 4 | 013-8050-00 | 1/2-13 NYLON INSERT FLANGE LOCKNUT ZINC | 15 | 1 | 031-8850-70 | ZT Steering Arm-Left |
| 5 | 4 | 018-1080-00 | 12-24 X 1/2 HEX WASHER UNLSOT F TCS ZINC | 16 | 1 | 031-8851-70 | ZT Steering Arm-Right |
| 6 | 2 | 018-5040-00 | 3/8-16 X 1-1/4 HEX CAP SCREW (GR.5) ZINC | 17 | 2 | 034-8025-00 | Drive Lever Spring |
| 7 | 2 | 018-5043-00 | 3/8-16 X 1-1/4 CARRIAGE BOLT ZINC | 18 | 1 | 035-5450-00 | Push Rod-Right |
| 8 | 2 | 019-5029-00 | 3/8 FLAT WASHER USS (1" OD) ZINC | 19 | 1 | 035-5451-00 | Push Rod-Left |
| 9 | 2 | 019-5037-00 | 3/8 SPLIT LOCKWASHER ZINC | 20 | 1 | 070-2400-00 | 2024 MZ 42-48 Frame |
| 10 | 4 | 019-8027-00 | .525 ID SHOULDER WASHER NYLON | 21 | 1 | 070-2401-00 | 2024 MZ-Avenger 54-60 Frame |
| 11 | 2 | 019-8054-00 | .505 ID X 1.000 OD X .125 THICK FLAT WASHER NYLON | 22 | 2 | 077-8073-00 | Safety Switch |



BAD BOY MOWERS

PARTS SECTION: FRAME SUB ASSEMBLIES





BAD BOY MOWERS

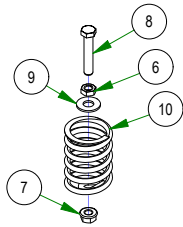
PARTS SECTION: FRAME SUB ASSEMBLIES

| Parts List | | | | Parts List | | | |
|------------|-----|-------------|---|------------|-----|-------------|--|
| ITEM | QTY | PART NUMBER | DESCRIPTION | ITEM | QTY | PART NUMBER | DESCRIPTION |
| 1 | 8 | 017-9077-00 | Pillow Block MZ | 18 | 1 | 072-8073-00 | 3/16" Vinyl Hose Clamp |
| 2 | 4 | 017-9079-00 | Pillow Block Strap | 19 | 1 | 051-2023-02 | 3/16 Vinyl Tubing, 44" |
| 3 | 2 | 013-8049-00 | 5/16-18 NYLON INSERT FLANGE LOCKNUT ZINC | 20 | 1 | 051-2027-02 | 3/16" Clear Vinyl Tubing, 52" |
| 4 | 2 | 018-8065-00 | 5/16-18 X 1 CARRIAGE BOLT (GR.8) ZINC | 21 | 12 | 040-6080-00 | Ratchet Fastener |
| 5 | 1 | 026-0019-00 | 2017 MZ/ZT Shallow Foot Pedal | 22 | 1 | 079-3417-00 | MZ/ZT 2017 Floorboard |
| 6 | 1 | 031-0500-00 | 2017 MZ/ZT Deck Pedal Lever | 23 | 1 | 081-4001-00 | 2021 Maverick Floor Mat W/ Reaper Tread |
| 7 | 1 | 013-5301-00 | 5/8-11 NYLON INSERT JAM LOCKNUT ZINC | 24 | 2 | 013-5019-00 | 10-24 Nylon Insert Locknut Zinc Orange Nylon |
| 8 | 1 | 013-8050-00 | 1/2-13 NYLON INSERT FLANGE LOCKNUT ZINC | 25 | 2 | 018-1040-00 | Light Plug |
| 9 | 1 | 018-5311-00 | 5/8-11 X 4 HEX CAP SCREW (GR.8) ZINC YELLOW | 26 | 2 | 018-5200-00 | 10-24 X 5/8 BS Button Head Bolt |
| 10 | 1 | 018-6036-00 | 1/2-13 X 2-3/4 HEX CAP SCREW (GR.5) ZINC | 27 | 1 | 055-8020-00 | Throttle Lever Assembly |
| 11 | 2 | 019-6017-00 | .635 ID X 1.120 OD X .140 THICK FLAT WASHER NYLON | 28 | 1 | 056-8058-00 | PTO Engager |
| 12 | 1 | 025-7036-00 | 1/2 SOLID SHAFT COLLAR (W/1 SET SCREW) ZINC | 29 | 1 | 077-8076-00 | Ignition Switch |
| 13 | 1 | 033-6001-00 | 4 3/4" Idler Pulley | 30 | 1 | 079-3461-00 | 2022 Maverick HD control panel |
| 14 | 1 | 051-2023-01 | 3/16 Vinyl Tubing, 53" | 31 | 1 | 091-4072-00 | 2023 MZ/Magnum/ZT/Maverick Control Panel Decal |
| 15 | 1 | 051-2027-01 | 3/16" Clear Vinyl Tubing, 44" | 32 | 1 | 083-4013-00 | Tachometer |
| 16 | 1 | 067-0015-00 | Carbon Canister for Magnum/MZ | 33 | 1 | 086-1202-01 | Relay Block Cover Replacement Kit |
| 17 | 3 | 072-0002-00 | 8.6mm Hose Clamp | 34 | 4 | 086-1202-19 | Relay |

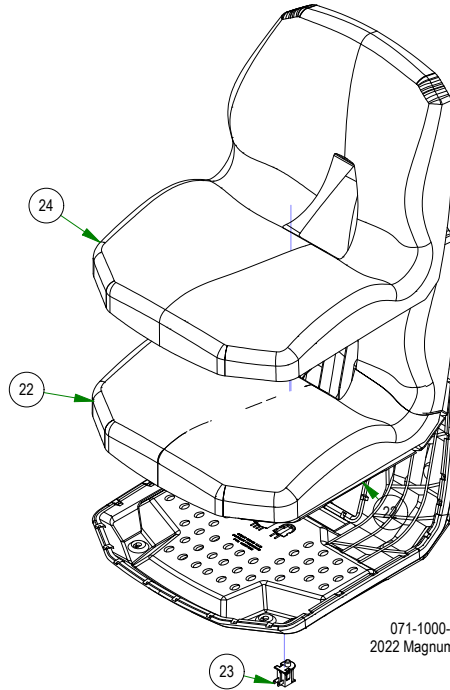


BAD BOY MOWERS

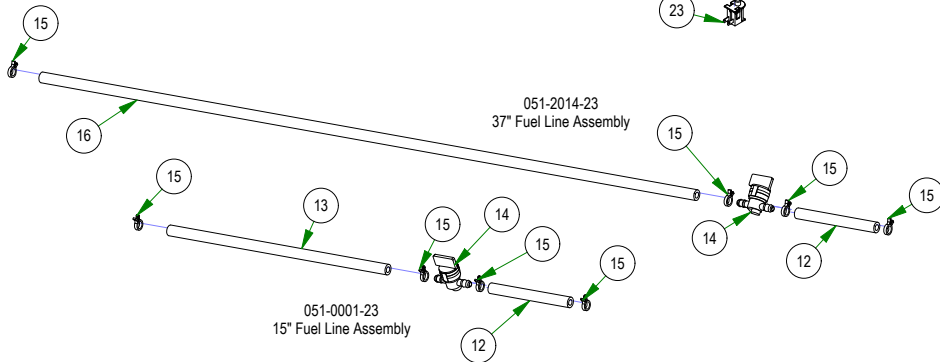
PARTS SECTION: FRAME SUB ASSEMBLIES



034-8045-03
Seat Spring Assembly

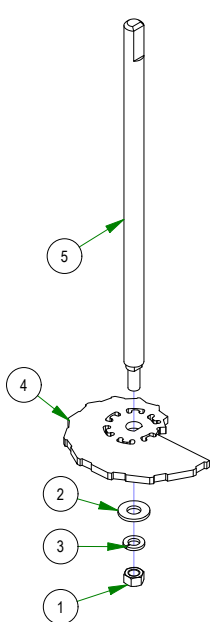


071-1000-22
2022 Magnum Seat

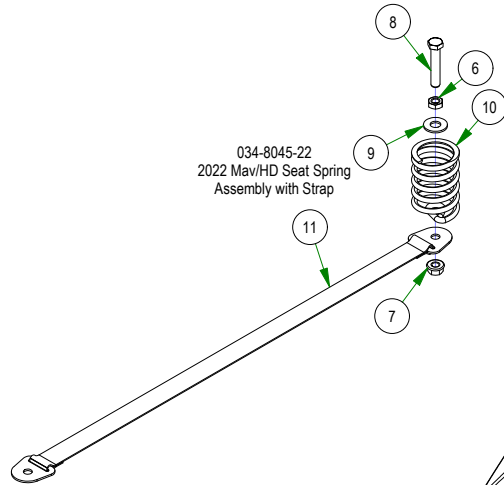


051-2014-23
37" Fuel Line Assembly

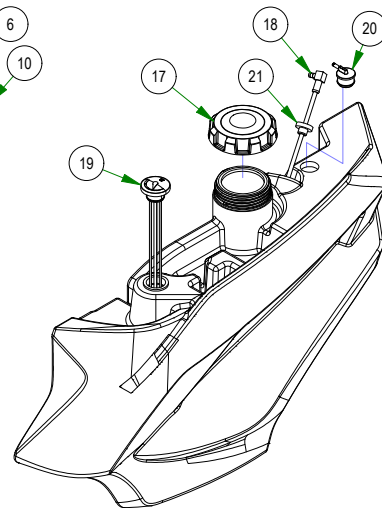
051-0001-23
15" Fuel Line Assembly



028-0007-17
Deck Height Dial Rod Assembly



034-8045-22
2022 Mav/HD Seat Spring
Assembly with Strap



067-2090-50
2017 MZ Left Gas Tank



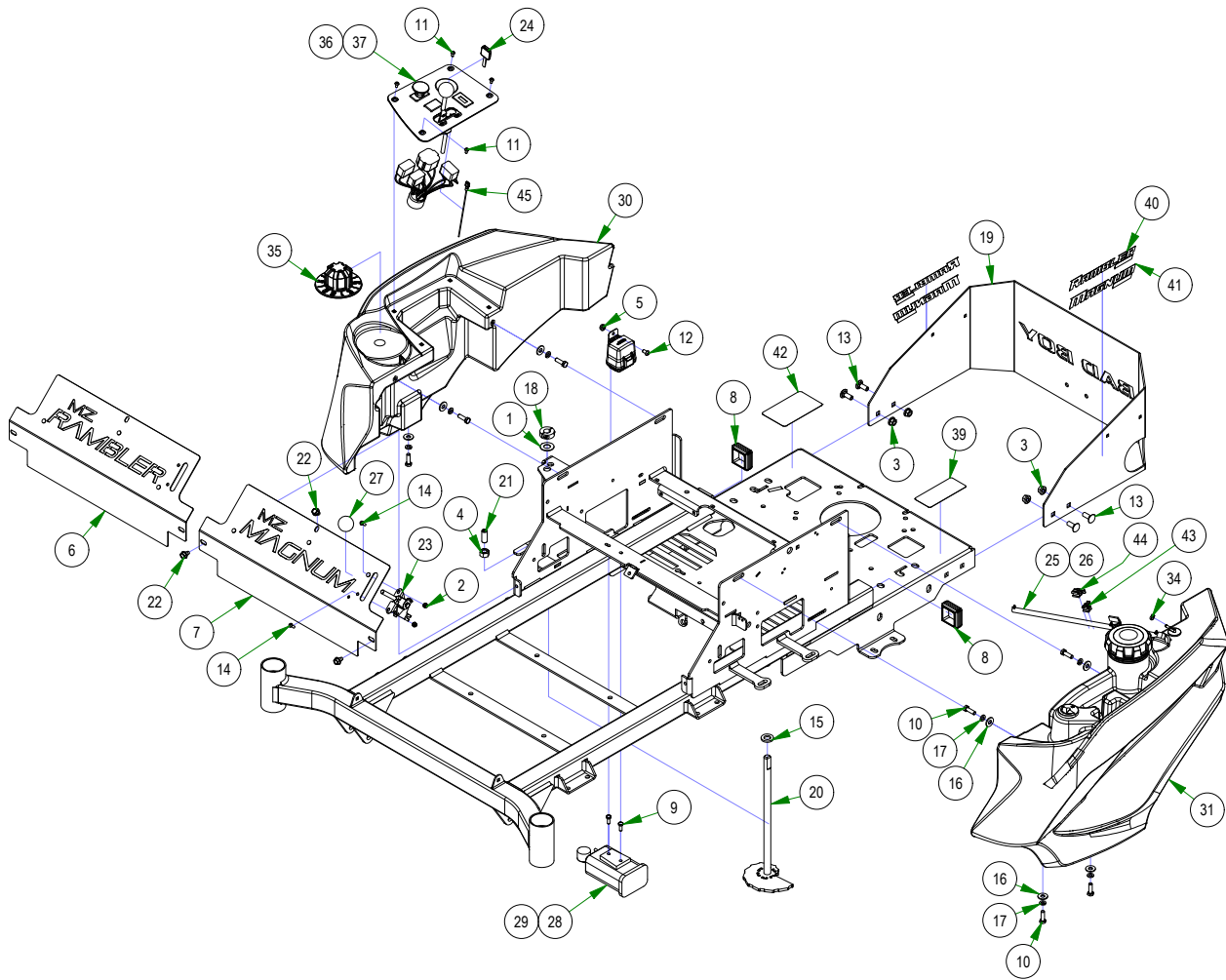
PARTS SECTION: FRAME SUB ASSEMBLIES

| Parts List | | | | Parts List | | | |
|------------|-----|-------------|--|------------|-----|-------------|--|
| ITEM | QTY | PART NUMBER | DESCRIPTION | ITEM | QTY | PART NUMBER | DESCRIPTION |
| 1 | 1 | 013-6051-00 | 3/8" Fine Threaded Jam Nut | 13 | 1 | 051-8067-00 | 11" 1/4 Fuel Line |
| 2 | 1 | 019-5029-00 | 3/8" Flat Washer | 14 | 1 | 067-6057-00 | 2 Way Fuel Shut-Off Valve |
| 3 | 1 | 019-5037-00 | 3/8" Lock Washer | 15 | 4 | 072-8069-00 | 1/4 Fuel Hose Clamp |
| 4 | 1 | 026-1100-00 | 2017 MZ/ZT Cam Plate | 16 | 1 | 051-2014-01 | 37" 1/4 Fuel Line |
| 5 | 1 | 028-0007-00 | 2017 Deck Height Dial Rod MZ | 17 | 1 | 066-8083-00 | Fuel Cap |
| 6 | 1 | 013-0017-00 | 3/8-16 Half Jam Nut | 18 | 1 | 067-0011-00 | Pick-Up |
| 7 | 1 | 013-5201-00 | 3/8-16 HEX SERRATED FLANGE NUT HARD/ZINC | 19 | 1 | 067-4090-00 | Fuel Gauge w/Grommet |
| 8 | 1 | 018-3000-00 | 3/8-16 X 2 HEX CAP SCREW (GR.5) ZINC | 20 | 1 | 067-6070-00 | Rollover Valve W/Grommet |
| 9 | 1 | 019-5029-00 | 3/8 FLAT WASHER USS (1" OD) ZINC | 21 | 1 | 067-6080-00 | Pick-Up Grommet |
| 10 | 1 | 034-8045-00 | Seat Spring | 22 | 1 | 071-1003-00 | SK120 Seat Foam for 071-1000-22 |
| 11 | 1 | 064-8083-00 | Seat Strap with Buckles | 23 | 1 | 071-1004-00 | SeatSwitch for 071-1000-00/071-1000-22/071-2100-22 |
| 12 | 1 | 051-8067-00 | 4" 1/4 Fuel Line | 24 | 1 | 071-1005-00 | Bad Boy SK120 Cover with Logo for 071-1000-22 |



BAD BOY MOWERS

PARTS SECTION: FUEL TANK & REAR COVER





PARTS SECTION: FUEL TANK & REAR COVER

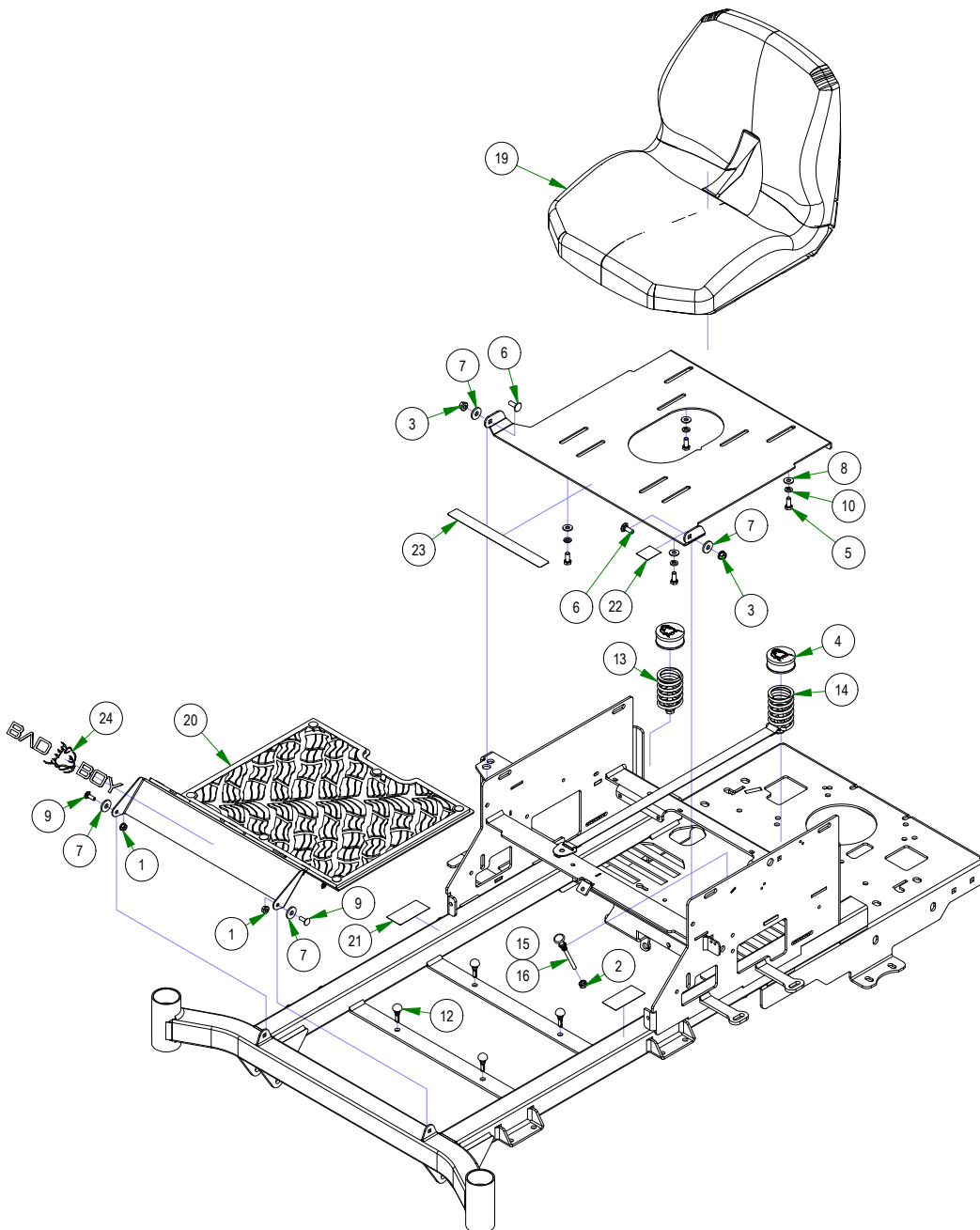
| Parts List | | | | Parts List | | | |
|------------|-----|-------------|---|------------|-----|-------------|-------------------------------------|
| ITEM | QTY | PART NUMBER | DESCRIPTION | ITEM | QTY | PART NUMBER | DESCRIPTION |
| 1 | 1 | 013-0080-00 | .625 ID x 1.250 OD x .062 THK FW Nylon | 24 | 1 | 042-9000-00 | Ignition Key |
| 2 | 2 | 013-5019-00 | 10-24 NYLON INSERT LOCKNUT ZINC | 25 | 1 | 051-0001-23 | 15" Fuel Line Assembly |
| 3 | 4 | 013-5202-00 | 3/8-16 NYLON INSERT FLANGE LOCKNUT (GR.F) ZINC | 26 | 1 | 051-2014-23 | 37" Fuel Line Assembly |
| 4 | 1 | 013-7018-00 | 1/2-13 HEX NUT ZINC | 27 | 1 | 055-2013-00 | Throttle Knob |
| 5 | 1 | 013-9001-00 | 1/4-20 HEX SERRATED FLANGE NUT HARD/ZINC | 28 | 1 | 067-0015-01 | MZ Kohler 42" EPA Canister Assembly |
| 6 | 1 | 014-3317-23 | 2023 MZ Rambler Cooler Cover Assembly | 29 | 1 | 067-0015-02 | MZ Kohler EPA Canister Assembly |
| 7 | 1 | 014-3318-23 | 2023 MZ Magnum Cooler Cover Assembly | 30 | 1 | 067-2080-50 | 2017 MZ Right Console |
| 8 | 2 | 014-9000-00 | 2X2 Frame Plug | 31 | 1 | 067-2090-50 | 2017 MZ Left Gas Tank |
| 9 | 2 | 018-0024-00 | M6-1.0 X 16MM DIN 933 HEX TAP BOLT (CL 8.8) ZINC | 32 | 1 | 070-2400-00 | 2024 MZ 42-48 Frame |
| 10 | 7 | 018-2007-00 | 5/16-18 X 1 HEX CAP SCREW (GR.5) ZINC | 33 | 1 | 070-2401-00 | 2024 MZ-Avenger 54-60 Frame |
| 11 | 4 | 018-2010-00 | 10-32 X 3/8 BUTTON SOCKET CAP SCREW 18-8 STAINLESS STEEL | 34 | 1 | 072-8070-00 | 3/16 Vinyl Clamp |
| | | | | 35 | 1 | 077-9000-00 | MZ/ZT Deck Height Dial |
| 12 | 1 | 018-2012-00 | 1/4-20 X 1/2 BUTTON SOCKET CAP SCREW 18-8 STAINLESS STEEL | 36 | 1 | 079-3560-02 | 2023 Rambler Control Panel Assembly |
| | | | | 37 | 1 | 079-3560-23 | 2023 Control Panel Assembly |
| 13 | 4 | 018-5044-00 | 3/8-16 X 1 CARRIAGE BOLT (GR.5) ZINC | 38 | 1 | 086-3600-00 | 2024 Wiring Harness with Clips |
| 14 | 2 | 018-5200-00 | 10-24 X 5/8 BUTTON SOCKET CAP SCREW 18-8 STAINLESS STEEL | 39 | 1 | 091-0015-24 | 2024 EPA Build Date Punch Decal |
| | | | | 40 | 2 | 091-0508-00 | Rambler Back Plate Decal |
| 15 | 1 | 019-6017-00 | .635 ID X 1.120 OD X .140 THICK FLAT WASHER NYLON | 41 | 2 | 091-0509-00 | Magnum Back Plate Decal |
| 16 | 7 | 019-8044-00 | 5/16 USS FLAT WASHER (7/8 OD) ZINC | 42 | 1 | 091-3017-00 | Pump Belt Route Decal-Pump Plate |
| 17 | 7 | 019-8051-00 | 5/16 SPLIT LOCKWASHER ZINC | 43 | 1 | 214-1007-00 | Edge Clip With Ziptie |
| 18 | 1 | 025-0002-00 | 5/8" Split Collar | 44 | 1 | 214-1008-00 | Edge Clip With Ziptie |
| 19 | 1 | 026-0223-00 | 2022 MZ Rear Plate | 45 | 1 | 216-1000-17 | 2017 MZ/ZT/MAV Tach Wire Assy |
| 20 | 1 | 028-0007-17 | Deck Height Dial Rod Assembly | | | | |
| 21 | 1 | 028-0008-00 | Dial Rod Plunger | | | | |
| 22 | 3 | 030-7044-00 | 5/16-18 X 1/2 HWH unslot (F) tcs zinc | | | | |
| 23 | 1 | 039-0035-22 | MZ Brake Plate Assembly w/ Brake Cable | | | | |



BAD BOY MOWERS

PARTS SECTION: UPPER FRAME

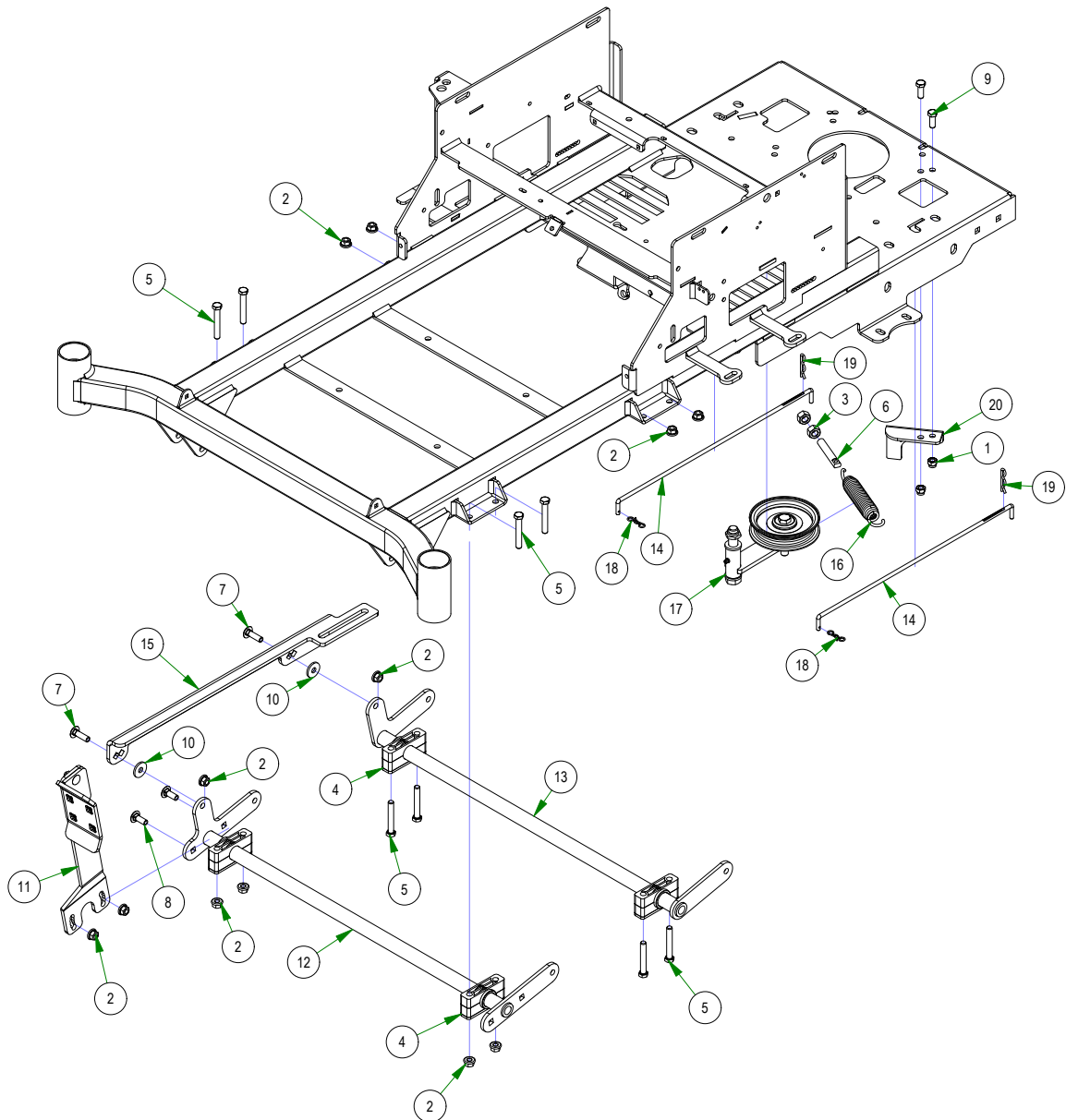
| Parts List | | | | Parts List | | | |
|------------|-----|-------------|--|------------|-----|-------------|---|
| ITEM | QTY | PART NUMBER | DESCRIPTION | ITEM | QTY | PART NUMBER | DESCRIPTION |
| 1 | 2 | 013-2050-00 | 1/4-20 NYL INSERT FLANGE LOCKNUT ZINC | 13 | 1 | 034-8045-03 | Seat Spring Assembly |
| 2 | 1 | 013-6051-00 | 3/8-24 HEX NUT ZINC YELLOW | 14 | 1 | 034-8045-22 | 2022 Mav/HD seat spring assembly with strap |
| 3 | 2 | 013-8049-00 | 5/16-18 NYLON INSERT FLANGE LOCKNUT ZINC | 15 | 1 | 054-8016-00 | Choke 42" Only |
| 4 | 2 | 014-8047-00 | Spring Cap Cover | 16 | 1 | 054-8017-00 | Choke |
| 5 | 4 | 018-8063-00 | 5/16-18 X 3/4 HEX CAP SCREW (GR.5) ZINC | 17 | 1 | 070-2400-00 | 2024 MZ 42-48 Frame |
| 6 | 2 | 018-8066-00 | 5/16-18 X 7/8 CARRIAGE BOLT ZINC | 18 | 1 | 070-2401-00 | 2024 MZ-Avenger 54-60 Frame |
| 7 | 4 | 019-6042-00 | .360 ID X .983 OD X .120 THICK FLAT WASHER NYLON | 19 | 1 | 071-1000-22 | 2022 Magnum Seat |
| 8 | 4 | 019-7040-00 | 1/4 USS FLAT WASHER (3/4 OD) ZINC | 20 | 1 | 079-3417-20 | 2020 MZ AVEN Floorboard Assembly |
| 9 | 2 | 019-8040-00 | 1/4-20 X 3/4 CARRIAGE BOLT (GR.5) ZINC | 21 | 1 | 091-0214-00 | 2018 LH/RH Steering Control Decal Roll |
| 10 | 4 | 019-8051-00 | 5/16 SPLIT LOCKWASHER ZINC | 22 | 1 | 091-0339-18 | 2018 MZ/Magnum/ZT/MAV/Comp Out Brake Decal |
| 11 | 1 | 026-2022-00 | 2022 Avenger Seat Plate | 23 | 1 | 091-3150-00 | Outlaw Warning Decal |
| 12 | 4 | 029-4011-00 | 2023 Floor Board Rubber Bumper | 24 | 1 | 091-4063-00 | Flying Bulldog Front Bumper Decal |





PARTS SECTION: LOWER FRAME

| Parts List | | | | Parts List | | | |
|------------|-----|-------------|--|------------|-----|-------------|--------------------------------|
| ITEM | QTY | PART NUMBER | DESCRIPTION | ITEM | QTY | PART NUMBER | DESCRIPTION |
| 1 | 2 | 013-5041-00 | 3/8-16 NYLON INSERT LOCKNUT ZINC | 12 | 1 | 028-0002-00 | Actuator Bar Front- 2017 MZ/ZT |
| 2 | 12 | 013-5202-00 | 3/8-16 NYLON INSERT FLANGE LOCKNUT (GR.F) ZINC | 13 | 1 | 028-0003-00 | Actuator Bar Rear- 2017 MZ/ZT |
| 3 | 2 | 013-7018-00 | 1/2-13 HEX NUT ZINC | 14 | 2 | 028-0070-00 | Neutral Rod |
| 4 | 4 | 017-9076-00 | Pillow Block Kit | 15 | 1 | 031-0510-00 | 2017 MZ/ZT Actuator Linkage |
| 5 | 8 | 018-0028-00 | 3/8-16 X 2-1/2 HEX CAP SCREW (GR.5) ZINC | 16 | 1 | 034-2020-00 | Deck Idler Spring |
| 6 | 1 | 018-2004-50 | All Thread | 17 | 1 | 039-5944-01 | ZT Pump Idler |
| 7 | 2 | 018-5043-00 | 3/8-16 X 1-1/4 CARRIAGE BOLT ZINC | 18 | 2 | 044-2004-00 | Bow Pin |
| 8 | 2 | 018-5044-00 | 3/8-16 X 1 CARRIAGE BOLT (GR.5) ZINC | 19 | 2 | 044-2008-00 | Neutral Rod Clip |
| 9 | 2 | 018-6049-00 | 3/8-16 X 1 GR 5 Hex Bolts Zinc | 20 | 1 | 057-5900-00 | 2017 MZ Clutch Stop |
| 10 | 2 | 019-2073-00 | .390 ID X 1.12 OD X .125 THK FLAT WASHER NYLON | 21 | 1 | 070-2400-00 | 2024 MZ 42-48 Frame |
| 11 | 1 | 026-0019-01 | Foot Pedal Assembly | 22 | 1 | 070-2401-00 | 2024 MZ-Avenger 54-60 Frame |

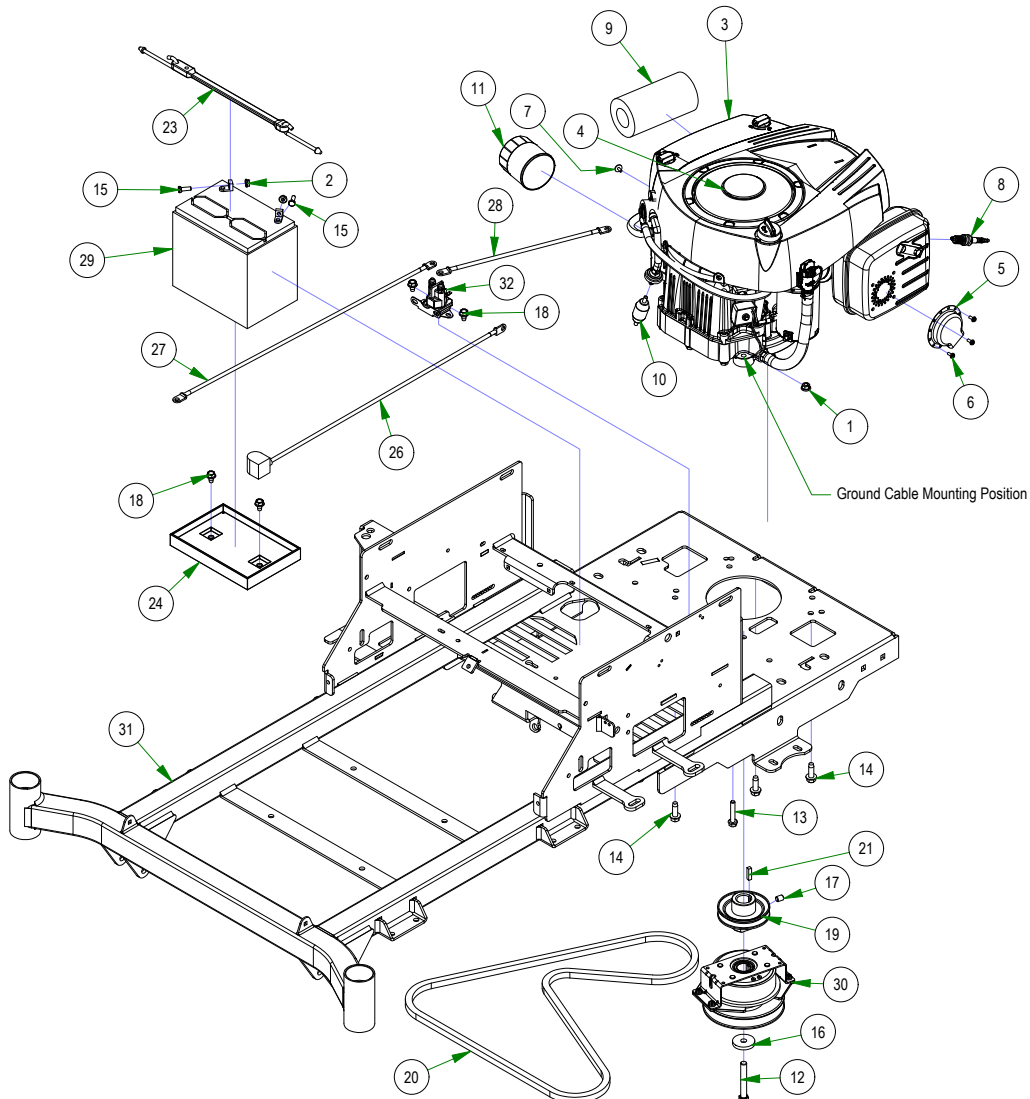




BAD BOY MOWERS

PARTS SECTION: ENGINE - BRIGGS

| Parts List | | | | Parts List | | | |
|------------|-----|-------------|---|------------|-----|-------------|--|
| ITEM | QTY | PART NUMBER | DESCRIPTION | ITEM | QTY | PART NUMBER | DESCRIPTION |
| 1 | 1 | 013-0101-00 | 5/16-18 Gr5 Distorted-Thread Flange Locknut | 17 | 1 | 030-6029-00 | 3/8-16 X 1/2 SOCKET SET SCREW (CUP PT) PLAIN |
| 2 | 2 | 013-9001-00 | 1/4-20 HEX SERRATED FLANGE NUT HARD/ZINC | 18 | 4 | 030-7044-00 | 5/16-18 X 1/2 HWH UNSLOT (F) tcs zinc |
| 3 | 1 | 015-1923-00 | 19 HP Briggs Engine | 19 | 1 | 033-2010-00 | 3-3/4" Motor Pulley |
| 4 | 1 | 015-1923-01 | Briggs 19HP Rotating Screen | 20 | 1 | 041-6400-00 | Pump Belt |
| 5 | 1 | 015-1923-03 | Muffler Deflector- P/N-222573 | 21 | 1 | 042-6030-00 | 1/4 X 1 SQ MACHINERY KEY 1018 STL PLN |
| 6 | 3 | 015-1923-04 | Muffler Deflector Screws -P/N-96046 | 22 | 1 | 043-8930-98 | 2023 Battery Hold Down Assembly |
| 7 | 1 | 015-1923-05 | Choke cable screw/washer- P/N-96073 | 23 | 1 | 043-8930-00 | 2023 Rubber Battery Hold Down Strap |
| 8 | 1 | 015-8000-00 | Spark Plug | 24 | 1 | 043-8931-00 | Battery Tray |
| 9 | 1 | 063-4026-00 | 19/21 HP Briggs Air Filter | 25 | 1 | 054-8016-00 | Choke |
| 10 | 1 | 063-6000-00 | Universal Inline Fuel Filter | 26 | 1 | 064-0030-00 | 24 inch Black Cable – MZ/ZT |
| 11 | 1 | 063-8018-00 | Oil Filter | 27 | 1 | 064-5300-00 | 24" Red Battery Cable |
| 12 | 1 | 018-0007-21 | 7/16-20x3" Hex Bolt GR 8 W/ Patch | 28 | 1 | 064-5301-00 | 12 in red battery cable |
| 13 | 1 | 018-0114-00 | 5/16-18x1-3/4 Gr5 Hex Flange Screw Zinc Clear | 29 | 1 | 068-8049-00 | SP-35 Battery |
| 14 | 3 | 018-1075-00 | 3/8-16 X 1-1/8 HEX WASHER UNSLOT SERRATED (TRI-LOB) TRS ZINC YELLOW | 30 | 1 | 070-0055-00 | Clutch |
| 15 | 2 | 018-8052-00 | 1/4-20 X 3/4 HEX CAP SCREW (GR.5) ZINC | 31 | 1 | 070-2400-00 | 2024 MZ 42-48 Frame |
| 16 | 1 | 019-0010-00 | CLUTCH WASHER | 32 | 1 | 108-0001-00 | Solenoid |

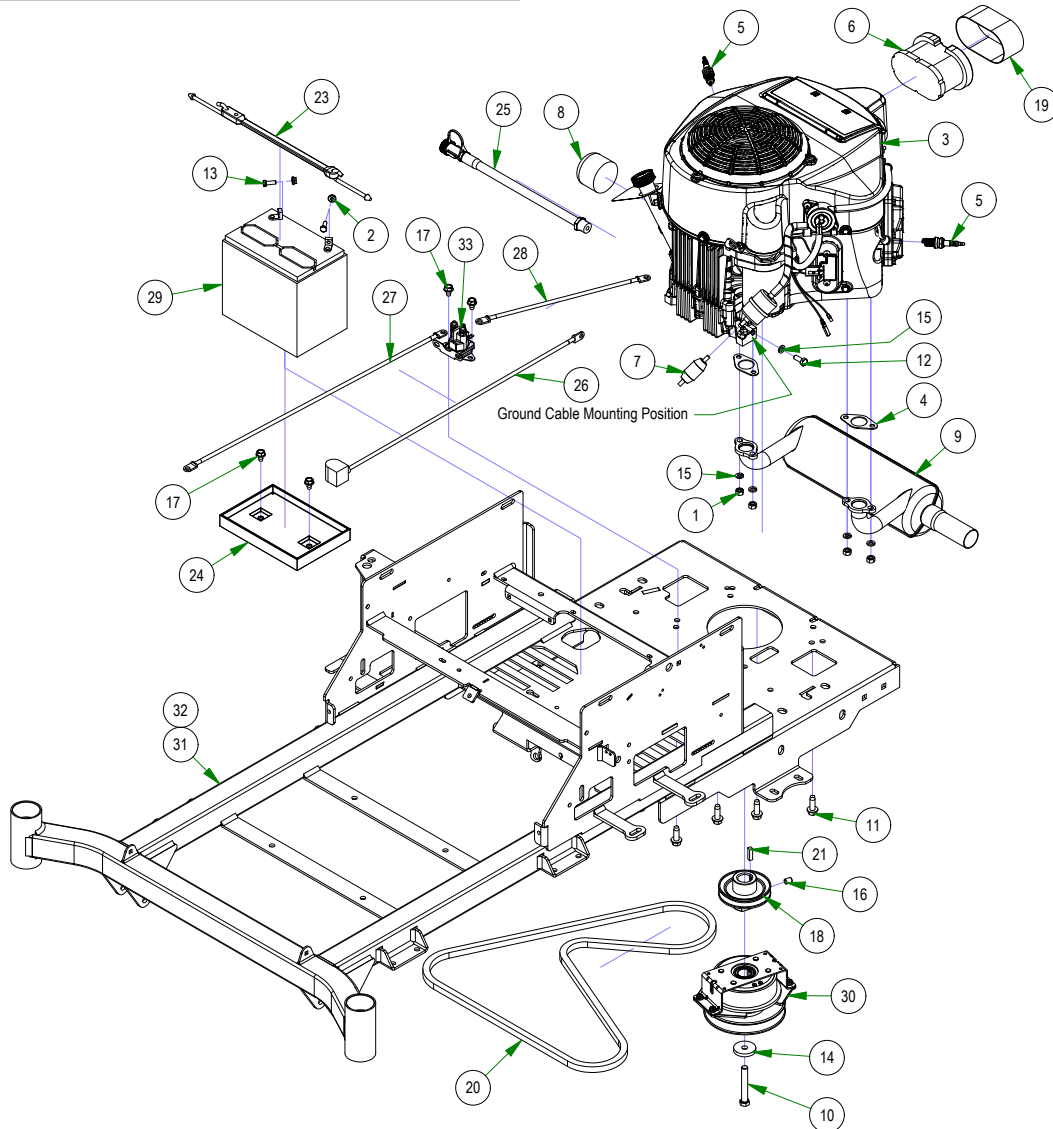




BAD BOY MOWERS

PARTS SECTION: ENGINE - KAWASAKI

| Parts List | | | | Parts List | | | |
|------------|-----|-------------|---|------------|-----|-------------|---------------------------------------|
| ITEM | QTY | PART NUMBER | DESCRIPTION | ITEM | QTY | PART NUMBER | DESCRIPTION |
| 1 | 4 | 013-0075-00 | M8-1.25 DIN 934 HEX NUT (CL.8) ZINC | 18 | 1 | 033-2010-00 | 3-3/4" Motor Pulley |
| 2 | 2 | 013-9001-00 | 1/4-20 HEX SERRATED FLANGE NUT HARD/ZINC | 19 | 1 | 041-4000-00 | Air Filter Pre-Cleaner for KAW |
| 3 | 1 | 015-0022-00 | 726cc Kawasaki Engine-FR651V | 20 | 1 | 041-6400-00 | Pump Belt |
| 4 | 2 | 015-0077-01 | Exhaust Gasket | 21 | 1 | 042-6030-00 | 1/4 X 1 SQ MACHINERY KEY 1018 STL PLN |
| 5 | 2 | 015-8001-00 | Spark Plug - Kawasaki | 22 | 1 | 043-8930-98 | 2023 Battery Hold Down Assembly |
| 6 | 1 | 063-2097-00 | Kawasaki Air Filter | 23 | 1 | 043-8930-00 | 2023 Rubber Battery Hold Down Strap |
| 7 | 1 | 063-6000-00 | Universal Inline Fuel Filter | 24 | 1 | 043-8931-00 | Battery Tray |
| 8 | 1 | 063-8017-00 | Oil Filter | 25 | 1 | 051-5404-00 | Kawasaki Oil Drain |
| 9 | 1 | 015-0052-00 | Kawasaki Muffler 1251 | 26 | 1 | 064-0030-00 | 24 inch Black Cable - MZ/ZT |
| 10 | 1 | 018-0007-21 | 7/16-20x3" Hex Bolt GR 8 W/ Patch | 27 | 1 | 064-5300-00 | 24" Red Battery Cable |
| 11 | 4 | 018-1075-00 | 3/8-16 X 1-1/8 HEX WASHER UNSLOT SERRATED (TRI-LOB) TRS ZINC YELLOW | 28 | 1 | 064-5301-00 | 12 in red battery cable |
| 12 | 1 | 018-5321-00 | M8-1.25 X 20MM DIN 933 HEX TAP BOLT (CL 8.8) ZINC | 29 | 1 | 068-8049-00 | SP-35 Battery |
| 13 | 2 | 018-8052-00 | 1/4-20 X 3/4 HEX CAP SCREW (GR.5) ZINC | 30 | 1 | 070-0055-00 | Clutch |
| 14 | 1 | 019-0010-00 | CLUTCH WASHER | 31 | 1 | 070-2400-00 | 2024 MZ 42-48 Frame |
| 15 | 5 | 019-8051-00 | 5/16 SPLIT LOCKWASHER ZINC | 32 | 1 | 070-2401-00 | 2024 MZ-Avenger 54-60 Frame |
| 16 | 1 | 030-6029-00 | 3/8-16 X 1/2 SOCKET SET SCREW (CUP PT) PLAIN | 33 | 1 | 108-0001-00 | Solenoid |
| 17 | 4 | 030-7044-00 | 5/16-18 X 1/2 HWH unslot (F) tcs zinc | | | | |

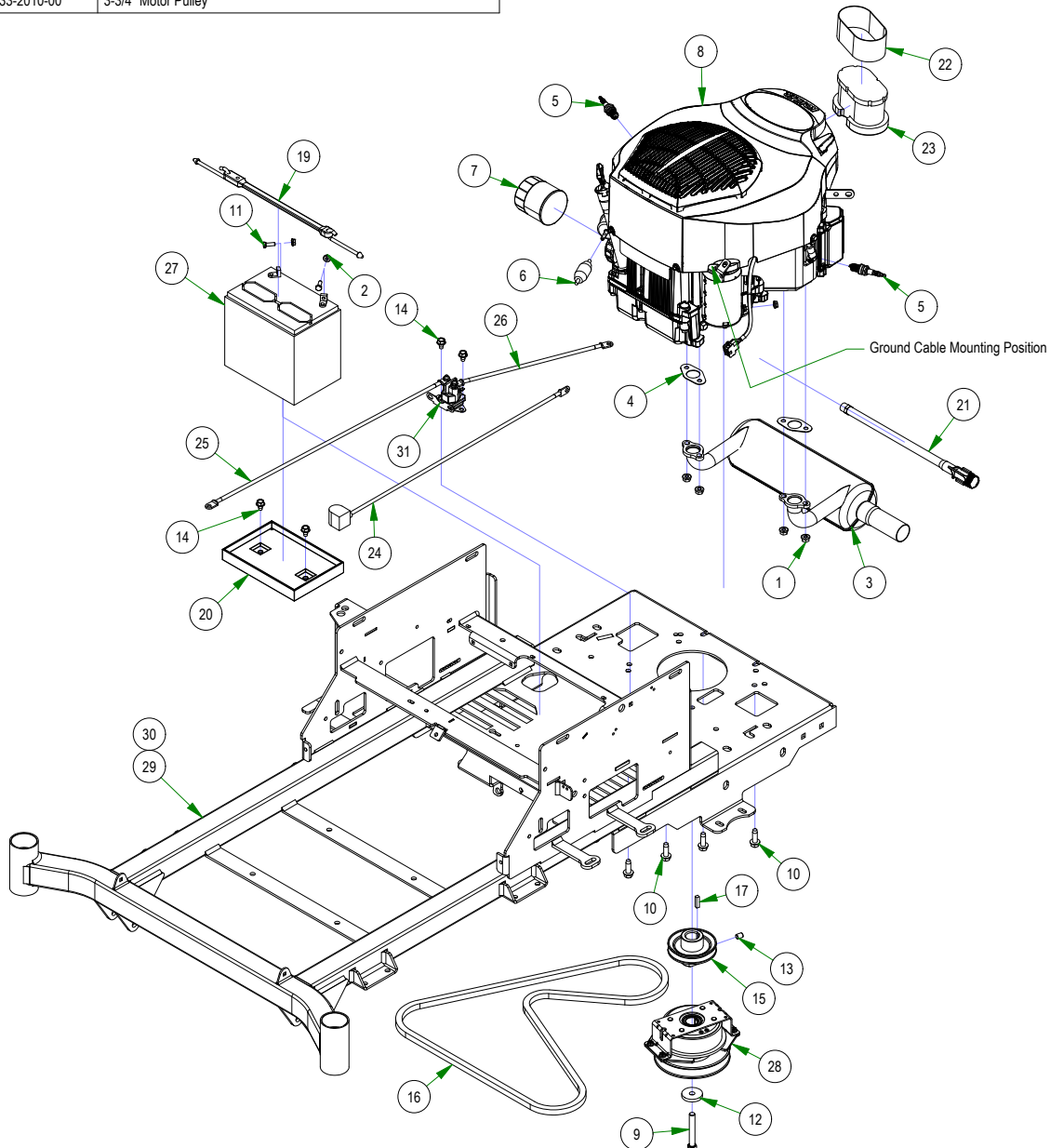




BAD BOY MOWERS

PARTS SECTION: ENGINE - KOHLER

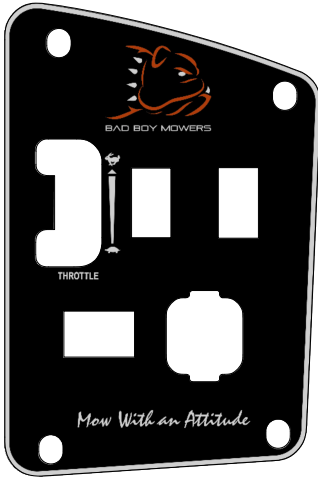
| Parts List | | | | Parts List | | | |
|------------|-----|-------------|---|------------|-----|-------------|---------------------------------------|
| ITEM | QTY | PART NUMBER | DESCRIPTION | ITEM | QTY | PART NUMBER | DESCRIPTION |
| 1 | 4 | 013-8240-00 | M8 Nut Connects the 015-1012-00 and the 015-8240-00 | 16 | 1 | 041-6400-00 | Pump Belt |
| 2 | 3 | 013-9001-00 | 1/4-20 HEX SERRATED FLANGE NUT HARD/ZINC | 17 | 1 | 042-6030-00 | 1/4 X 1 SQ MACHINERY KEY 1018 STL PLN |
| 3 | 1 | 015-0051-00 | Kohler Muffler | 18 | 1 | 043-8930-98 | 2023 Battery Hold Down Assembly |
| 4 | 2 | 015-2751-00 | Exhaust Gasket | 19 | 1 | 043-8930-00 | 2023 Rubber Battery Hold Down Strap |
| 5 | 2 | 015-8000-00 | Spark Plug | 20 | 1 | 043-8931-00 | Battery Tray |
| 6 | 1 | 063-5001-00 | 25/26 HP Kohler Fuel Filter | 21 | 1 | 051-5401-00 | Kohler Oil Drain |
| 7 | 1 | 063-5004-00 | 25 HP Kohler Oil Filter ZT?MZ | 24 | 1 | 064-0030-00 | 24 inch Black Cable - MZ/ZT |
| 8 | 1 | 015-2017-00 | KT745 Kohler Engine | 25 | 1 | 064-5300-00 | 24" Red Battery Cable |
| 9 | 1 | 018-0007-21 | 7/16-20x3" Hex Bolt GR 8 W/ Patch | 26 | 1 | 064-5301-00 | 12 in red battery cable |
| 10 | 4 | 018-1075-00 | 3/8-16 X 1-1/8 HEX WASHER UNSLOT SERRATED (TRI-LOB) TRS ZINC YELLOW | 27 | 1 | 068-8049-00 | SP-35 Battery |
| 11 | 2 | 018-8052-00 | 1/4-20 X 3/4 HEX CAP SCREW (GR.5) ZINC | 28 | 1 | 070-0055-00 | Clutch |
| 12 | 1 | 019-0010-00 | CLUTCH WASHER | 29 | 1 | 070-2400-00 | 2024 MZ 42-48 Frame |
| 13 | 1 | 030-6029-00 | 3/8-16 X 1/2 SOCKET SET SCREW (CUP PT) PLAIN | 30 | 1 | 070-2401-00 | 2024 MZ-Avenger 54-60 Frame |
| 14 | 4 | 030-7044-00 | 5/16-18 X 1/2 HWH unslot (F) tcs zinc | 31 | 1 | 108-0001-00 | Solenoid |
| 15 | 1 | 033-2010-00 | 3-3/4" Motor Pulley | | | | |





BAD BOY MOWERS

PARTS SECTION: DECALS



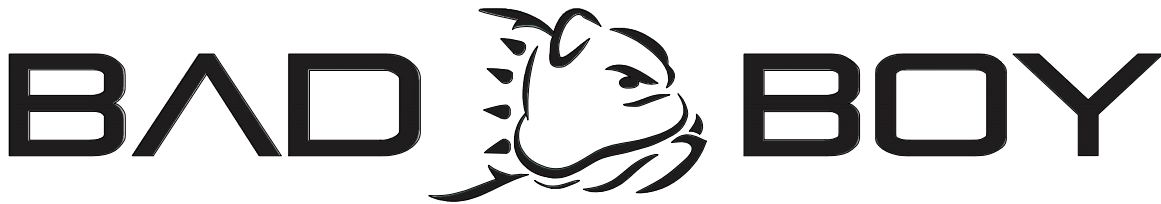
091-4072-00
2023 MZ/Magnum/ZT/Maverick Control Panel Decal



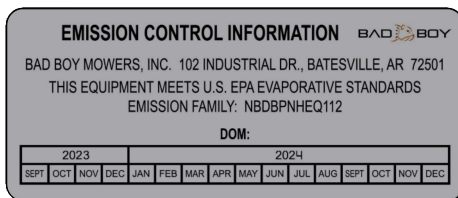
091-0339-18
2018 MZ/Magnum/ZT/MAV/Comp Out Brake Decal



091-0214-00
2018 LH/RH Steering Control Decal Roll



091-4063-00
Flying Bulldog Front Bumper Decal



091-0015-24
2024 EPA Build Date Punch Decal



091-3012-00
Danger Decal-Spindle/Discharge



091-3150-00
Outlaw Warning Decal



BAD BOY MOWERS

PARTS SECTION: DECALS



091-0508-00
Rambler Back Plate Decal



091-0509-00
Magnum Back Plate Decal



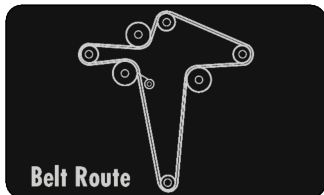
091-0502-00
42" Deck Decal



091-0503-00
48" Deck Decal

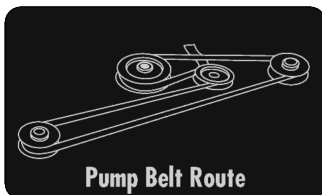


091-0504-00
54" Deck Decal



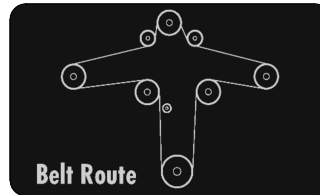
Belt Route

091-0393-00
2017 MZ Magnum 48"/42" Deck Route Decal



Pump Belt Route

091-3017-00
Pump Belt Route Decal-Pump Plate



Belt Route

091-3309-00
Deck Belt Route Decal



BAD BOY MOWERS

www.badboycountry.com

Bad Boy, Inc.

102 Industrial Drive

Batesville, Arkansas 72501